

SIEMENS

7XT3300-0*A00/DD

Manual / Руководство

Order No / Номер заказа: C53000-B119U-C129-1

Directions for Use

English: page 3

20-Hz-Generator

Руководство по эксплуатации

Русский: страница 27

Генератор напряжения 20 Гц





Rear side of 20-Hz-Generator 7XT3300-0*A00/DD

Задняя панель генератора напряжения 20 Гц 7XT3300-0*A00/DD

Contents

Statement of Conformity 4

Notes and Warnings 4

Unpacking and Re-packing 6

Storage and Transport 6

Application 7

Function Description 7

Jumper and Fuses on the Printed Circuit Boards 11

Dimensions 13

Installation Hints 15

Technical Data 17

General Diagram 23

Connection Examples 24

Order Information 25



Statement of Conformity

This product complies with the directive of the Council of the European Communities on the approximation of the laws of the member states relating to electromagnetic compatibility (EMC Council Directive 2004/108/EC) and concerning electrical equipment for use within specified voltage limits (Low-voltage Directive 2006/95/EC).

This conformity has been proved by tests performed according to the Council Directive in agreement with the generic standards EN 61000-6-2 and EN 61000-6-4 (for EMC directive) and with the standards EN 60255-6 (for low-voltage directive) by Siemens AG.

The device is designed and manufactured for application in industrial environment.

The product conforms with the international standards of IEC 60255 and the German standards VDE 0435.

Notes and Warnings

The warnings and notes contained in this booklet serve for your own safety and for an appropriate lifetime of the device. Please observe them!

The following terms are used:



DANGER

indicates that death, severe personal injury or substantial property damage will result if proper precautions are not taken.



Warning

indicates that death, severe personal injury or substantial property damage can result if proper precautions are not taken.



Caution

indicates that minor personal injury or property damage can result if proper precautions are not taken. This is especially valid for damage on or in the device itself and consequential damage thereof.

**Note**

indicates information about the device or respective part of this booklet which is essential to highlight.

**Warning!**

Hazardous voltages are present in this electrical equipment during operation. Non-observance of the safety rules can result in severe personal injury or property damage.

Only qualified personnel shall work on and around this equipment after becoming thoroughly familiar with all warnings and safety notices of this booklet as well as with the applicable safety regulations.

The successful and safe operation of this device is dependent on proper transport and storage, proper handling, installation, operation, and maintenance by qualified personnel under observance of all warnings and hints contained in this booklet.

In particular the general erection and safety regulations (e.g. IEC, EN, DIN, VDE, or other national and international standards) regarding the correct use of hoisting gear must be observed. Non-observance can result in death, personal injury or substantial property damage.

QUALIFIED PERSONNEL

For the purpose of this manual and product labels, a qualified person is one who is familiar with the installation, construction and operation of the equipment and the hazards involved. In addition, he has the following qualifications:

- Is trained and authorized to energize, de-energize, clear, ground and tag circuits and equipment in accordance with established safety practices.
- Is trained in the proper care and use of protective equipment in accordance with established safety practices.
- Is trained in rendering first aid.

Unpacking and Re-packing

When dispatched from the factory, the equipment is packed in accordance with the guidelines laid down in IEC 60255-21 which specify the impact resistance of packaging.

This packing shall be removed with care, without force and without the use of inappropriate tools. The equipment should be visually checked to ensure that there are no external traces of damage.

Please observe absolutely all notes and hints which may be enclosed in the packaging.

Before initial energization with supply voltage, or after storage, the device shall be situated in the operating area for at least two hours in order to ensure temperature equalization and to avoid humidity influences and condensation.

For further transport, the transport packing can be re-used when applied in the same way. The storage packing of the individual relays is not suited for transport. If alternative packing is used, this must also provide the same degree of protection against mechanical shock and vibration as laid down in IEC 60255-21-1 class 2 and IEC 60255-21-2 class 1.

Storage and Transport

The device should be stored in dry and clean rooms. The limit temperature range for storage of the relays or associated spare parts is -25 °C to +55 °C, corresponding to -13 °F to 131 °F.

The relative humidity must be within limits such that neither condensation nor ice forms.

Application

The 20-Hz generator 7XT33 is used in combination with the bandpass 7XT34 in the machine protection (7UM62). In order to implement a 100 % stator earth fault protection, it provides the source for injection into the generator starpoint. Injection can be performed by connecting the 7XT33 and the 7XT34 to the load resistor of an earthing or neutral transformer. The 100 % stator earth fault protection detects earth faults in the stator windings of generators which are connected with the network via a unit transformer. The protection device working with the 7XT33 detects earth faults in all windings including the machine starpoint. The measuring principle used is not influenced at all by the generator's operation and allows measurements even with the generator at standstill.

Function Description

Basic Principle

The 7XT33 injects into the generator starpoint a voltage of max. 1 % of the rated generator voltage. If an earth fault occurs in the generator starpoint, the 20 Hz voltage drives a current through the fault resistance. From the driving voltage and the fault current, the protective relay determines the fault resistance. The protection principle described here also detects earth faults at the generator terminals, including connected components such as voltage transformers.

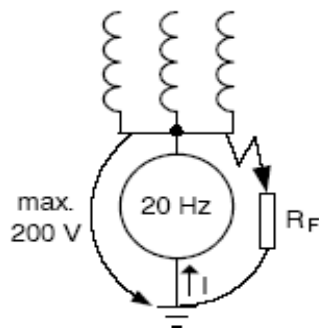


Figure 1 Basic principle of voltage injection into the generator starpoint



Note

The 7XT33 is always used in combination with the 7XT34.

Auxiliary Voltage Supply

The auxiliary voltage of the 7XT33 can be supplied either by a 3-phase current or by the direct voltage of a station battery. For a commissioning test, which is limited in time, the 7XT33 can also be powered by a single-phase alternating voltage.



Note

If the 3-phase current supply is implemented by connection to a 3-phase voltage transformer, please make sure that the transformer is powerful enough. Recommendation: more than 100 VA.

Function of the 20-Hz Generator

The 7XT33 provides a rectangular output voltage with a frequency of 20 Hz. The voltage r.m.s. value is 25 V under load.

The binary input (terminal points 6, 8) can be used to block the 20-Hz generator. The blocking function via the binary input is activated, once the input signal has been provided for 500 ms. Afterwards, the output module is switched off, the red LED (ERROR) lights up and the “Life contact“ relay drops out (idle state).

The device features the following monitoring functions:

- When the auxiliary voltage is switched on or the device is restarted, an auxiliary voltage threshold of approx. 80 V must be exceeded before the 20-Hz output signal is generated and the “Life contact“ relay picks up. Within this time, the green LED (RUN) is flashing. The blocking function via the binary input is not active during this time.
- If the internal device voltage drops due to an external short-circuit (e.g., between the 7XT33 and the 7XT34) or an inadmissible output overload, the 7XT33 will be protected by turning off the output module. The “Life contact“ relay drops out (idle state) and the ERROR LED lights up. After a delay of approx. 60 s, the device attempts to restart. The ERROR LED keeps flashing during the restart. If the fault has not been eliminated, the ERROR LED lights up and the device attempts to restart after a delay. This procedure is repeated until the fault is eliminated. If the internal device voltage is provided again, the device restarts automatically.
- If the 20-Hz output voltage is lower than 17 V, e.g., in the event of a short-circuit, or higher than 73 V under operating conditions (internal device voltage within the permissible range), the output module is switched off, the “Life contact“ relay drops out and the ERROR LED lights up. An overvoltage of more than 73 V might be an interference voltage on the generator side.

Table 1 below gives an overview of all operating states and signals.

Table 1 Operating states and signals

LED red „ERROR“	LED green „RUN“	Description	Condition of Life contact relay	Output of 20-Hz signal
OFF	ON	Device is ready for operation	picked up	Yes
ON	OFF	Device is not ready for operation or blocked via binary input	dropped out	No
OFF	Flashing	Power supply < 80 V	dropped out	No
Flashing	OFF	Restart	dropped out	No
OFF	OFF	Device is off	dropped out	No

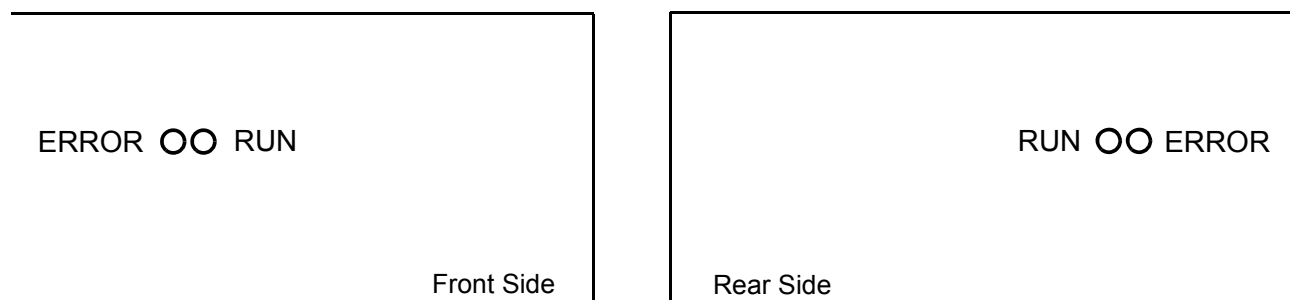


Figure 2 Position of the ERROR and RUN LEDs on the front and back panel

Control Voltage for Blocking Input

The blocking input is set to the pick-up threshold of DC 88 V on delivery. For the control voltages DC 24/48/60 V, jumper S1 on the control module (C53207-A332-B2-, see figure 4) must be used to reduce the pick-up threshold to DC 19 V (X401-X402).

Table 2 Blocking input

Control voltage range	DC 24 V to DC 250 V, bipolar	
Current consumption, energized	approx. 1.8 mA, independent of control voltage	
Pick-up thresholds	selectable with jumper S1, see figure 4	
for control voltages	DC 24/48/60 V	$U_{\text{high}} \geq \text{DC } 19 \text{ V}$ $U_{\text{low}} \leq \text{DC } 10 \text{ V}$
for control voltages	DC 110/125 V DC 220/250 V	$U_{\text{high}} \geq \text{DC } 88 \text{ V}$ $U_{\text{low}} \leq \text{DC } 44 \text{ V}$
Maximum permissible voltage	DC 300 V	
Impulse filter on input	Signal must be provided 500 ms	

Table 3 Jumper S1

For control voltages DC 24/48/60 V	Jumper in position "X401-X402" (pick-up threshold DC 19 V)
For control voltages DC 110/125/ 220/250 V	Jumper in position "X402-X403" (pick-up threshold DC 88 V)

Jumper and Fuses on the Printed Circuit Boards

Power supply module C53207-A332-B12- of 7XT3300-0*A00/DD

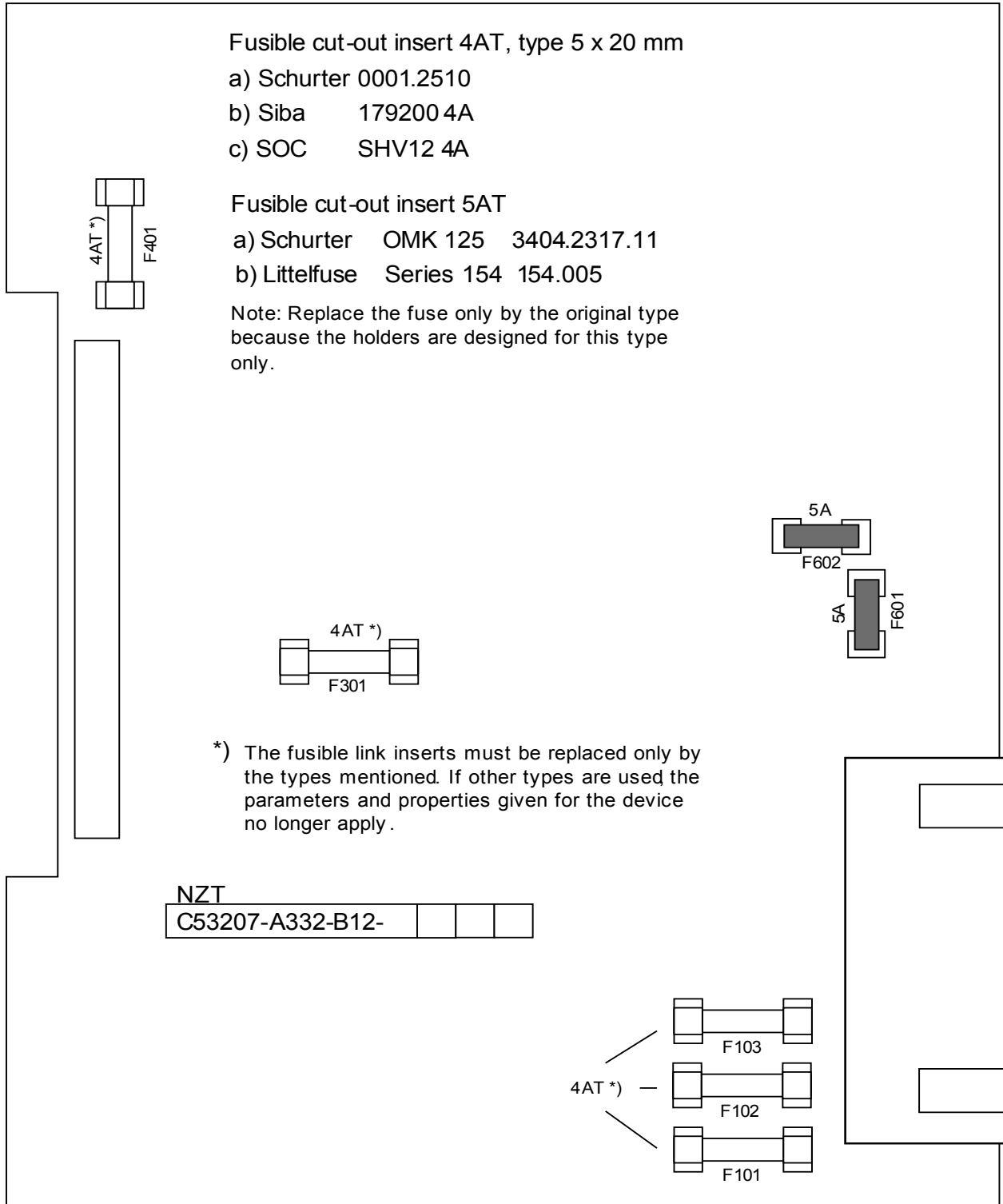


Figure 3 Power supply module with location of the fuses

Control module C53207-A332-B2- of 7XT3300-0*A00/DD

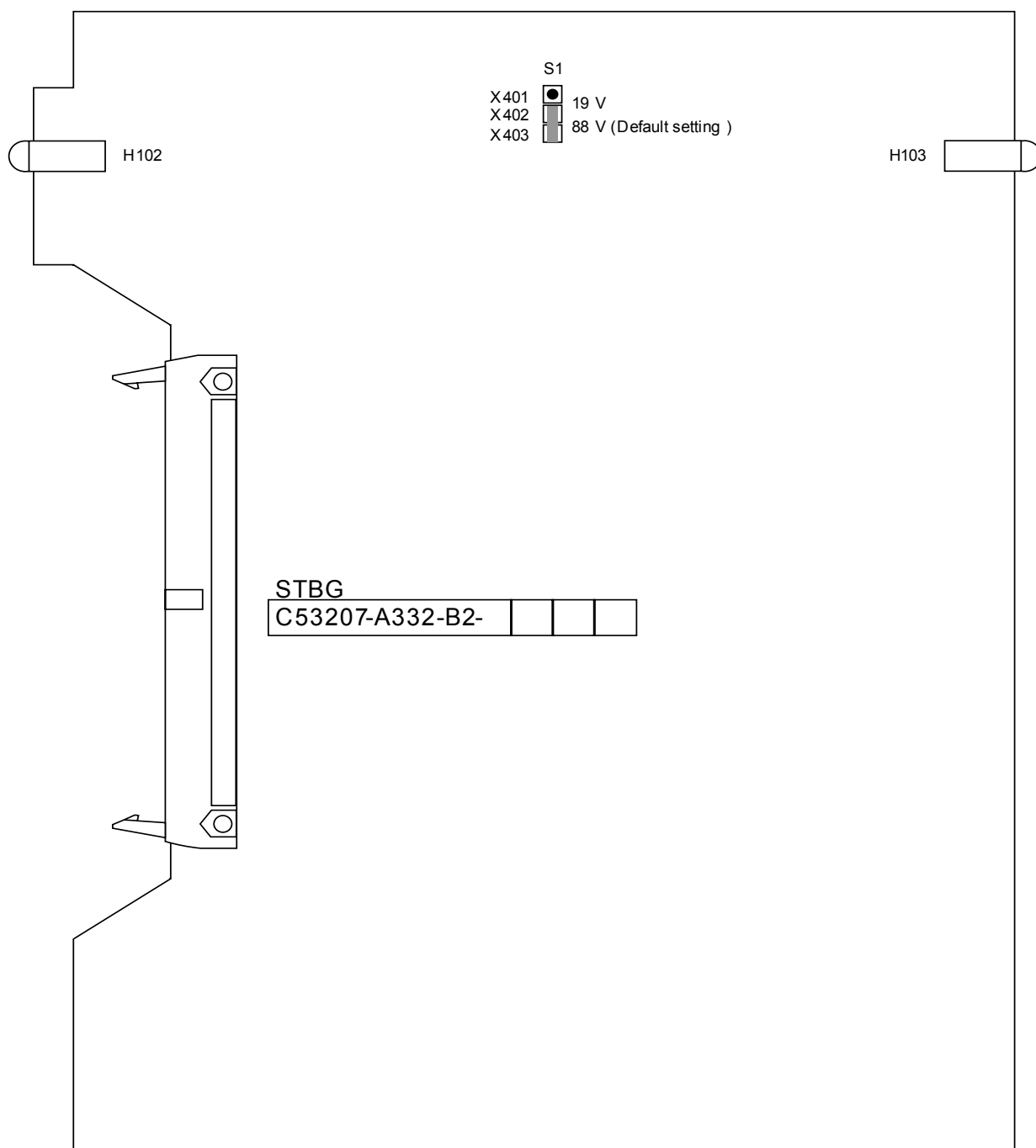


Figure 4 Control module with location of the jumper

Dimensions

7XT33 Housing for Surface Mounting Version

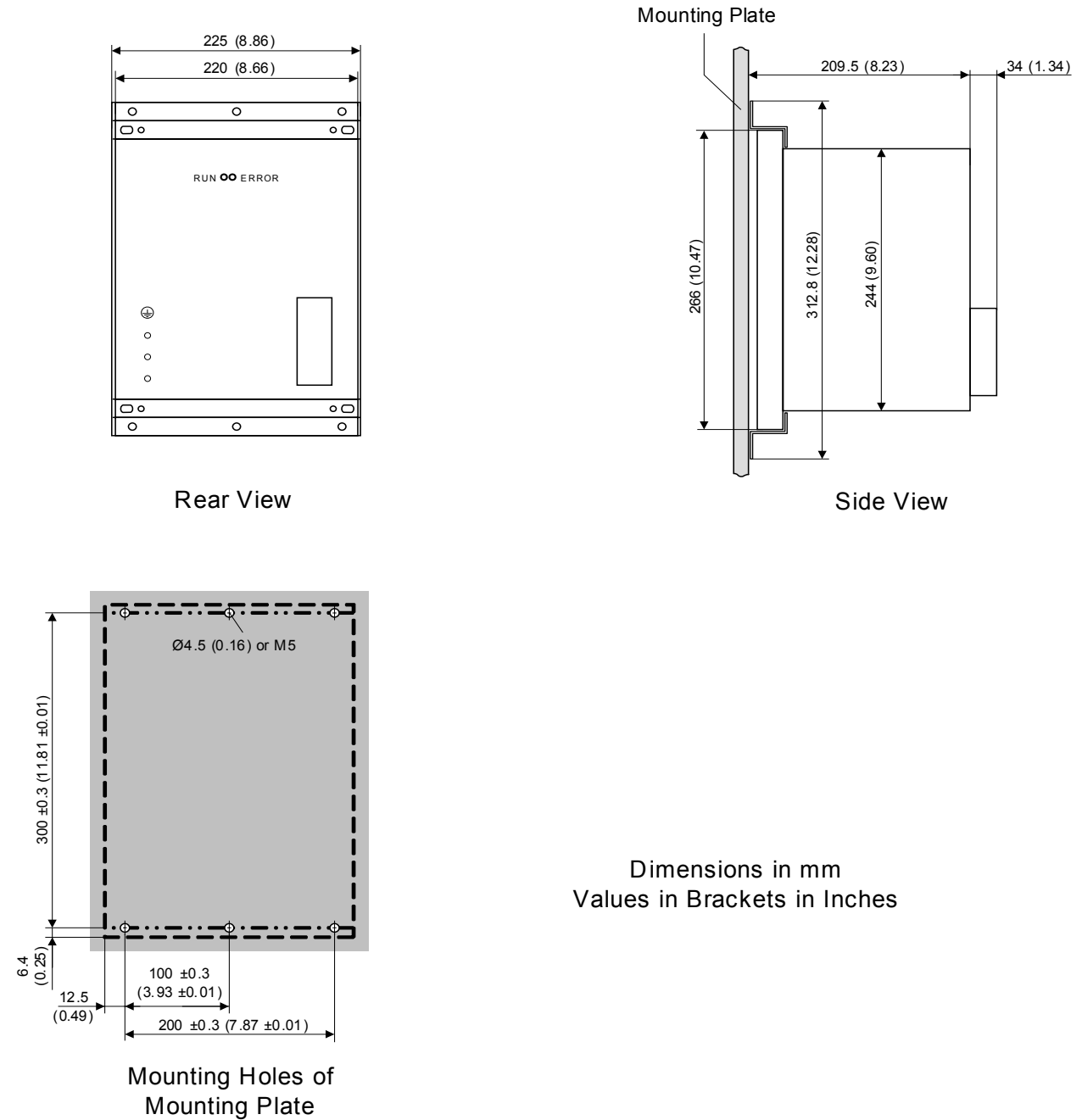


Figure 5 Dimensions of 7XT33 surface mounting version

7XT33 Housing for Panel Flush Mounting or Cubical Installation

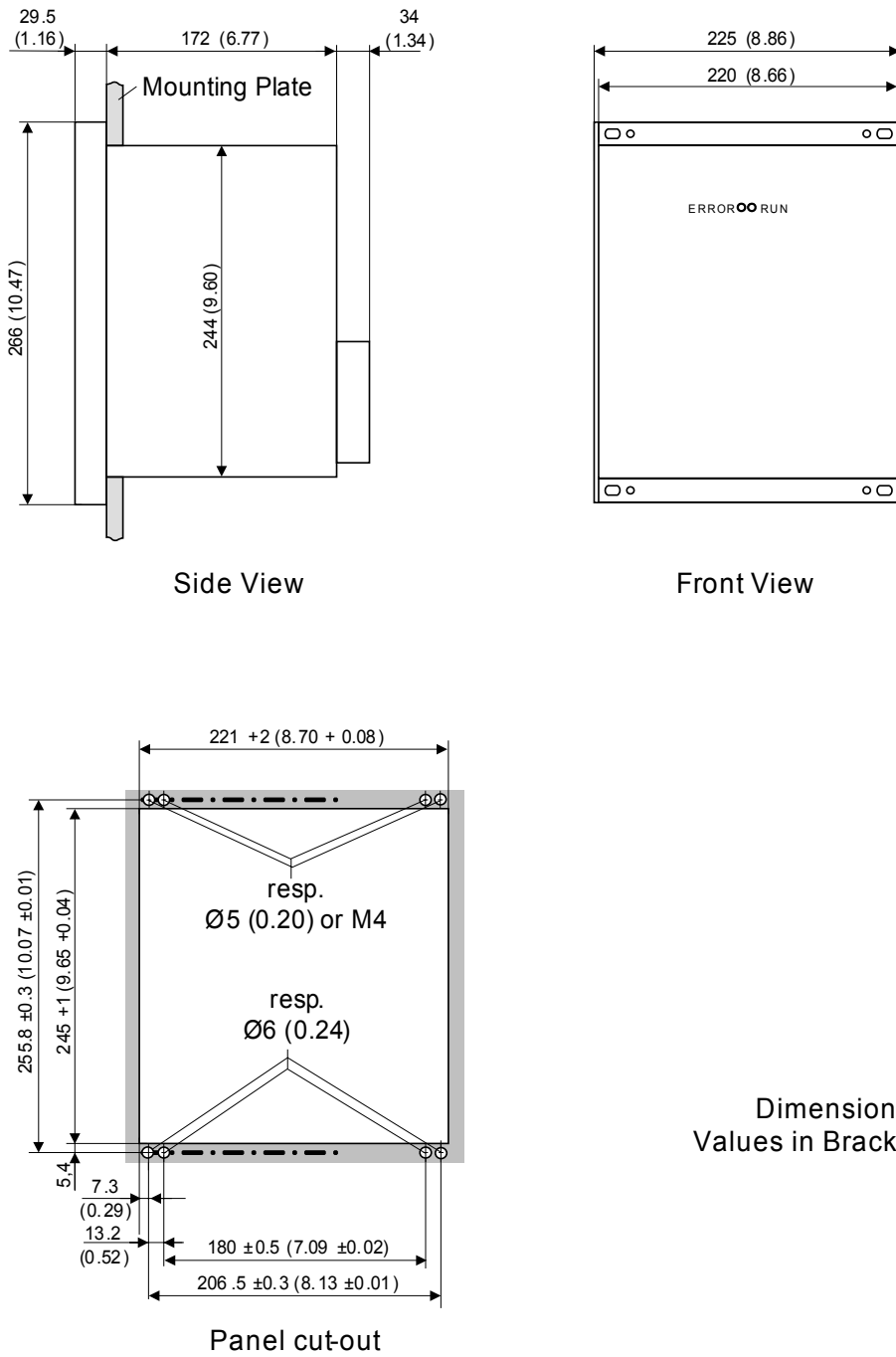


Figure 6 Dimensions of 7XT33 panel flush mounting or cubical installation

Installation Hints

Screw-Type Terminals of the Connector Block

Use a conductor of at least 2.5 mm² to connect the device to protective or functional earth in a low-resistance and low-inductance manner!

Use the screw-type terminals for connection and make sure you observe the marks, the permissible cross-sections and bending radii.

The screw-type terminals on the 12-pin terminal block on the housing are loose on delivery.



Note

For electromagnetic compatibility reasons you must twist the line pair with about 20 turns between the 7XT33 (clamps 11/12) and the 7XT34 (clamp 1B4), see Figure 10. The line must not be longer than 35 cm in the twisted condition.

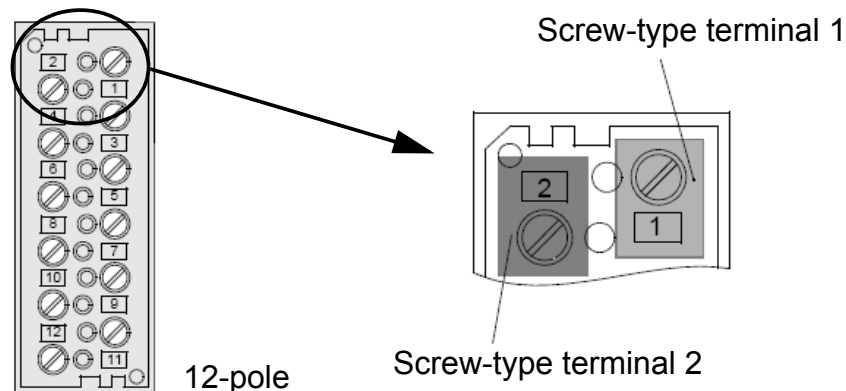


Figure 7 Screw-type terminals on the 12-pin terminal block

Table 4 Terminal block

Connector	Designation
1	Auxiliary voltage, L1 (U_{H+})
2	Auxiliary voltage, L2 (U_{H-})
3	Auxiliary voltage, L3
4	Earth, PE
5	Life contact, L+
6	Blocking input (+), binary
7	Life contact, ERROR
8	Blocking input (-), binary
9	Life contact, RUN
10	reserved
11	20-Hz output, A
12	20-Hz output, B

Connection Data

If fork-type cable lugs or connector sleeves are used, the crimp zone must be insulated to comply with the required insulating clearance. This can also be done using shrink-on sleeve.

The following data must be met:

Cable lugs for bolt diameter 4 mm;
max. major diameter 10 mm;
for cross-section from 1.0 mm² to 2.6 mm²; resp. AWG 16 to AWG 14.

The cross-section on outputs 11 / 12 must be 2.5 mm².

Use copper conductors only!

Recommended cable lugs series PIDG of Messrs. Tyco Electronics AMP, e.g.
ring-type cable lug PIDG PN 320565-0,
fork-type cable lug PIDG PN 321233-0.

Direct connection with solid bare wire or flexible wire with end sleeves;
for cross-section from 0.5 mm² to 2.6 mm²; AWG 20 to AWG 14.

When using one single conductor, the conductor end must be inserted such that it will be drawn into the contact cavity while tightening the screw.

Use copper conductors only!

Wire strip length solid bare wire 9 mm to 10 mm or 0.354 in or 0.394 in.

max. torque value 1.8 Nm or 16 in-lb.

Technical Data

Auxiliary Voltages

Voltage supply via extended range power supply unit

DC Voltage

Nominal auxiliary DC voltage U_{H-}	DC 110 V to DC 220 V
Permissible DC voltage range	DC 88 V to DC 250 V

AC Voltage

Nominal auxiliary AC voltage $U_{H\sim}$, three-phase	3 x AC 100 V to AC 120 V
Nominal auxiliary AC voltage $U_{H\sim}$, single-phase	AC 100 V to AC 120 V
Permissible DC voltage range	AC 88 V to AC 130 V

Power consumption on 8 Ω impedance ≤ 100 VA
(8 Ω = series resistance of the 7XT34 with 20 Hz)

Bridging time for failure auxiliary voltage U_{H-} (DC 110 V) / short-circuit	≥ 50 ms with rated load (at connected bandpass 7XT34)
--	--



Note

AC 230 V is permissible for commissioning only, which is limited in time.

20-Hz Output Voltage

Terminal points 11 and 12

Output voltage

26 V ± 5 %, rectangular, 20 Hz ± 0.1 Hz

Power output, permanently

100 VA over all ranges



Note

Output is not resistant to short-circuits!

Efficiency with 8 Ω

approx. 76 %

Blocking Input

Terminal points 6 and 8

Switching threshold

adjustable voltage range with jumper

- for control voltages 24/48/60 V

DC 19 V: $U_{high} \geq$ DC 19 V, $U_{low} \leq$ DC 10 V

- for control voltages 110/125/220/250 V

DC 88 V: $U_{high} \geq$ DC 88 V, $U_{low} \leq$ DC 44 V

Permissible voltage, continuous

DC 300 V

Life contact*Terminal points 5, 7 and 9*

Switching capacity MAKE/BREAK

30 W/VA

Switching voltage for ≤ 30 s

DC 250 V

Permissible currentMAKE

5 A

Permissible currentBREAK

3 A

Permissible Ambient Temperatureswith $R_L < 5 \Omega$ $\leq 55 \text{ }^\circ\text{C}$ or $\leq 131 \text{ }^\circ\text{F}$ with $R_L > 5 \Omega$ $\leq 70 \text{ }^\circ\text{C}$ or $\leq 158 \text{ }^\circ\text{F}$ **Note**

R_L describes the load resistance at the bandpass 7XT34 output (see figure 10).

Electrical TestsSpecifications

Standards	IEC 60255 (product standards) IEEE Std C37.90.0/.1/.2 VDE 0435 For more standards, see individual tests.
-----------	---

Insulation tests

Standards	IEC 60255-5 and IEC 60870-2-1
High-Voltage Test (routine test)	DC 3.5 kV
Impulse Voltage Test (type test) all circuits, Class III	5 kV (peak value); 1.2/50 μ s; 0.5 J; 3 positive and 3 negative pulses at intervals of 5 s

EMC tests for immunity (type tests)

Standards	IEC 60255-6 and -22, (product standards) EN 61000-6-2 (basic specification) VDE 0435 Part 301DIN VDE 0435-110
High-Frequency Test IEC 60255-22-1, Class III and VDE 0435 Part 303, Class III	2.5 kV (peak value); 1 MHz; $\tau = 15 \mu$ s; 400 pulses per s; test duration 2 s; $R_i = 200 \Omega$
Electrostatic Discharge IEC 60255-22-2, Class IV and IEC 61000-4-2, Class IV	8 kV contact discharge; 15 kV air discharge; both polarities; 150 pF; $R_i = 330 \Omega$
Irradiation with HF Field, Frequency Sweep IEC 60255-22-3, Class III IEC 61000-4-3, Class III	10 V/m; 80 MHz to 1000 MHz; 80 % AM; 1 kHz 10 V/m; 800 MHz to 960 MHz; 80 % AM; 1 kHz 10 V/m; 1.4 GHz to 2.7 GHz; 80 % AM; 1 kHz
Irradiation with HF Field, Single Frequencies IEC 60255-22-3, IEC 61000-4-3, Class III - amplitude-modulated - pulse-modulated	10 V/m 80; 160; 450; 900 MHz; 80 % AM; 1kHz; closing time > 10 s 900 MHz; 50 % PM, repetition frequency 200 Hz
Fast Transient Disturbance Variables / Burst IEC 60255-22-4 and IEC 61000-4-4, Class IV	4 kV; 5/50 ns; 5 kHz; burst length = 15 ms; repetition rate 300 ms; both polarities; $R_i = 50 \Omega$; test duration 1 min

High-Energy Surge Voltages (SURGE), IEC 61000-4-5 Installation Class 3 - Auxiliary voltage	Pulse: 1.2/50 μ s Common mode: 2 kV; 12 Ω ; 9 μ F Diff. mode: 1 kV; 2 Ω ; 18 μ F
- Analog measuring inputs, binary inputs and relay outputs	Common mode: 2 kV; 42 Ω ; 0.5 μ F Diff. mode: 1 kV; 42 Ω ; 0.5 μ F
Line-Conducted HF, Amplitude-modul. IEC 61000-4-6, Class III	10 V; 150 kHz to 80 MHz; 80 % AM; 1 kHz
Power System Frequency Magnetic Field IEC 60255-6 IEC 61000-4-8, Class IV	0.5 mT; 50 Hz, 30 A/m; continuous; 300 A/m for 3 s; 50 Hz
Oscillatory Surge Withstand Capability IEEE Std C37.90.1	2.5 kV (peak value); 1 MHz; $\tau = 15 \mu$ s; 400 pulses per s; test duration 2 s; $R_i = 200 \Omega$
Fast Transient Surge Withstand Cap. IEEE Std C37.90.1	4 kV; 5/50 ns; 5 kHz; burst length = 15 ms; repetition rate 300 ms; both polarities; $R_i = 50 \Omega$; test duration 1 min
Radiated Electromagnetic Interference IEEE Std C37.90.2	35 V/m; 80 MHz to 1000 MHz
Damped Oscillations IEC 61000-4-18	2.5 kV (peak value), polarity alternating 100 kHz, 1 MHz, $R_i = 200 \Omega$

EMC tests for noise emission (type tests)

Standard	EN 61000-6-4 (basic specification)
Radio Noise Voltage to lines, only Power Supply Voltage IEC-CISPR 11	150 kHz to 30 MHz Limit value class A
Radio Interference Field Strength IEC-CISPR 11	30 MHz to 1000 MHz Limit value class A

Mechanical stress testsVibration and shock tests during stationary operation

Standards	IEC 60255-21 and IEC 60068
Vibration IEC 60255-21-1, Class 2 IEC 60068-2-6	sinusoidal 10 Hz to 60 Hz: ± 0.075 mm amplitude; 60 Hz to 150 Hz: 1 g acceleration Frequency sweep 1 octave/min, 20 cycles in 3 orthogonal axes
Shock IEC 60255-21-2, Class 1 IEC 60068-2-27	half-sine shaped Acceleration 5 g, duration 11 ms, 3 shocks each in both directions of the 3 axes
Seismic vibration IEC 60255-21-3, Class 1 IEC 60068-3-3	sinusoidal 1 Hz to 8 Hz: ± 3.5 mm amplitude (horizontal axis) 1 Hz to 8 Hz: ± 1.5 mm amplitude (vertical axis) 8 Hz to 35 Hz: 1 g acceleration (horizontal axis) 8 Hz to 35 Hz: 0.5 g acceleration (vertical axis) Frequency sweep 1 octave/min 1 cycle in 3 orthogonal axes

Vibration and shock stress during transport

Standards	IEC 60255-21 and IEC 60068
Vibration IEC 60255-21-1, Class 2 IEC 60068-2-6	sinusoidal 5 Hz to 8 Hz: ± 7.5 mm amplitude; 8 Hz to 150 Hz: 2 g acceleration Frequency sweep 1 octave/min 20 cycles in 3 orthogonal axes
Shock IEC 60255-21-2, Class 1 IEC 60068-2-27	half-sine shaped Acceleration 15 g, duration 11 ms, 3 shocks each in both directions of the 3 axes
Continuous shock IEC 60255-21-2, Class 1 IEC 60068-2-29	half-sine shaped Acceleration 10 g, duration 16 ms, 1000 shocks each in both directions of the 3 axes

Climatic Stress Tests

Temperatures

Standards	IEC 60255-6
Permissible temporary operating temperature (tested for 96 h)	-25 °C to +70 °C
Recommended for continuous operation (acc. to IEC 60255-6)	-5 °C to +55 °C
Limit temperatures for storage	-25 °C to +55 °C
Limit temperatures during transport	-25 °C to +70 °C
Storage and transport of the device with factory packaging!	

Humidity

Admissible humidity	Annual average ≤ 75 % relative humidity; on 56 days of the year up to 93 % relative humidity. Condensation must be avoided in operation!
All devices shall be installed such that they are not exposed to direct sunlight, nor subject to large fluctuations in temperature that may cause condensation.	

Housing

Dimensions	See figures 5 and 6
Mass	Approx. 6.1 kg
Degree of protection according to EN 60529	IP20



Note

With maximum power output, the device has a power loss of approx. 24 W. To ensure unhindered heat dissipation through the vent holes, the distance to other devices located at the top and bottom must be at least 100 mm. This device must therefore always be mounted in the bottom part of the cabinet.

General Diagram

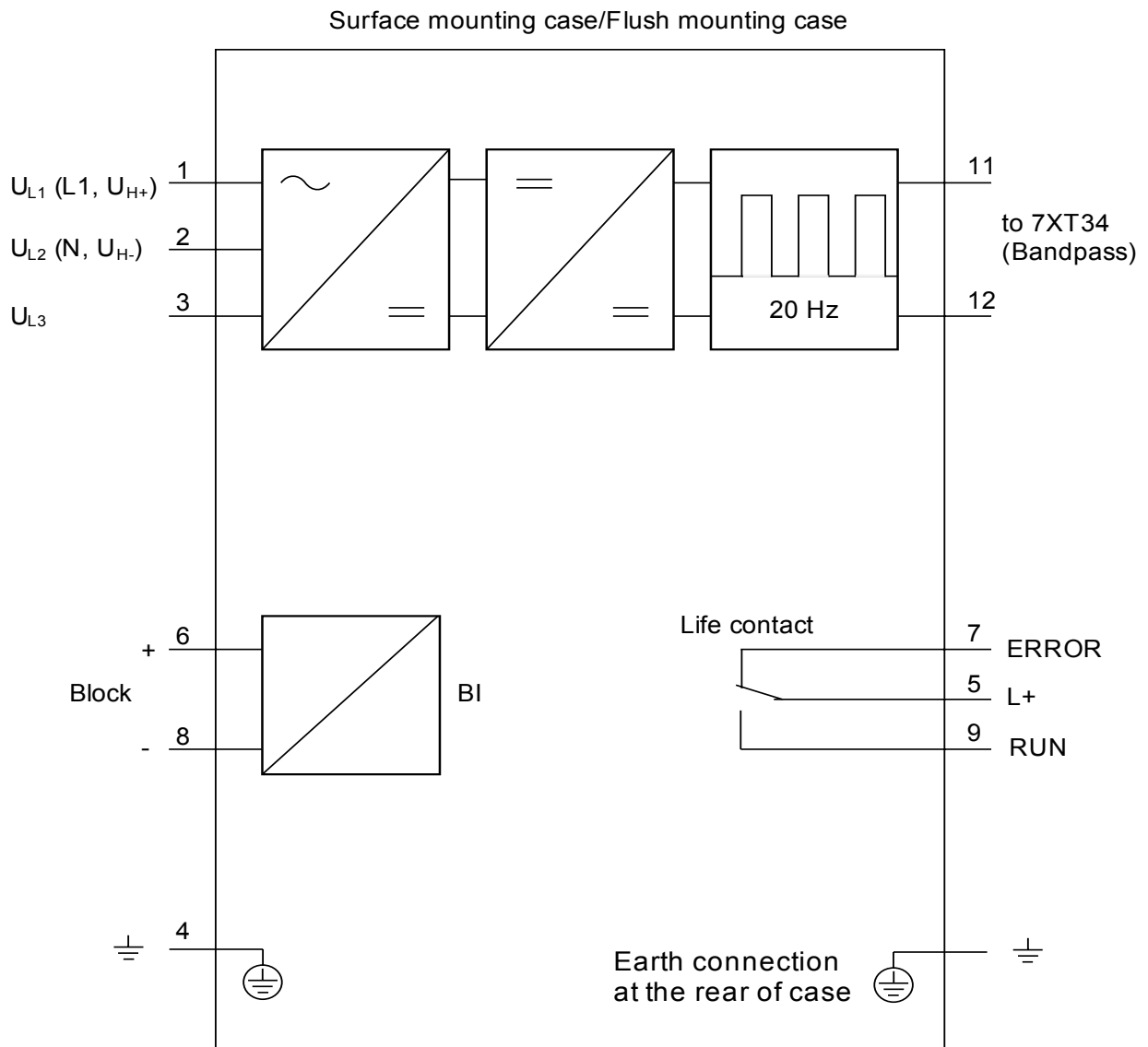


Figure 8 General diagram of the 7XT3300-0*A00/DD

Connection Examples

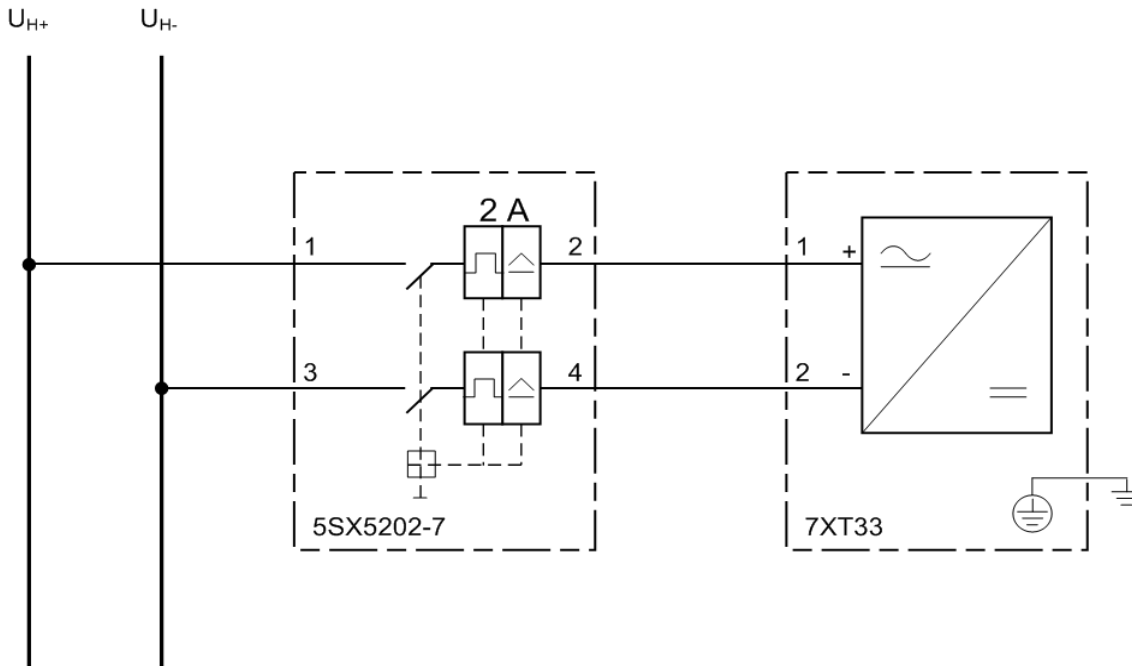


Figure 9 Connection of the 7XT33 to a DC-voltage supply via a 2-A protective switch

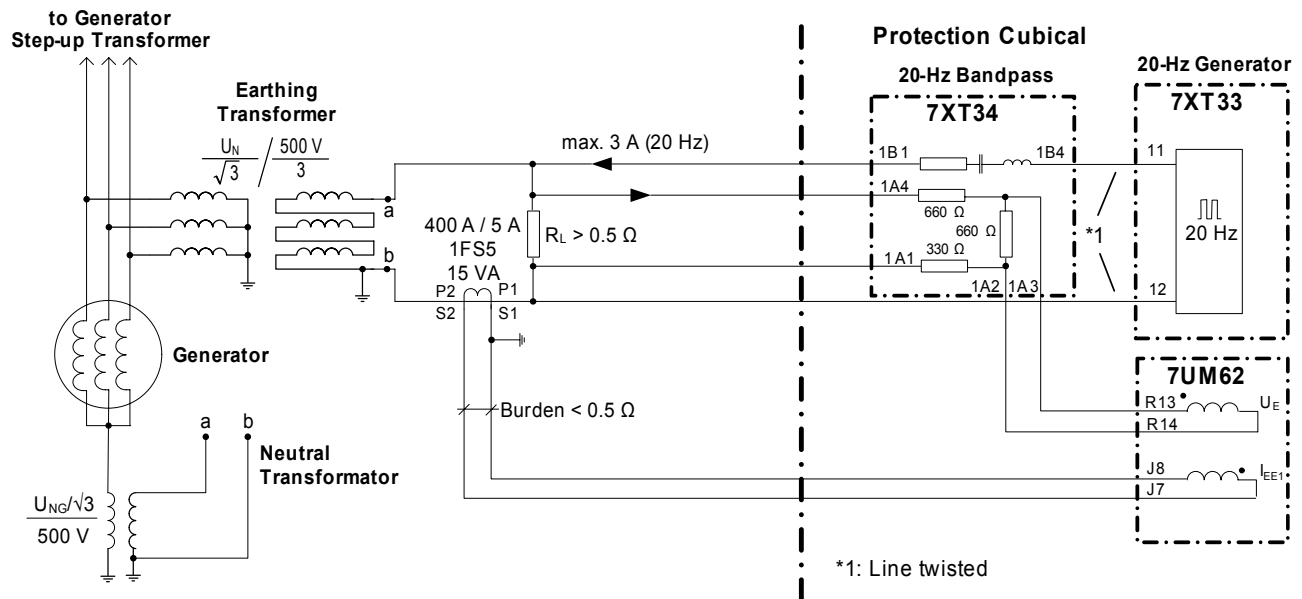


Figure 10 Connection of the 100 % stator earth protection with earthing or neutral transformer



Note

To ensure proper functioning of the 20-Hz protection principle, the load resistance R_L must be $> 0.5 \Omega$.

Order Information

Order key:

Device	Order no.
Surface-mounted housing with screw-type terminals	7XT3300-0BA00
In housing with screw-type terminals	7XT3300-0CA00

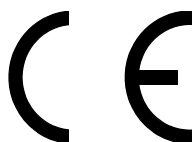
Accessories:

Accessories	Type	Manufacturer	Dimensions / designation	Order no.
Automatic circuit-breaker	5SX5202-7	Siemens		
Fuse	4AT	Schurter	5 x 20 mm	0001.2510
Fuse	4AT	Siba	5 x 20 mm	179200 4A
Fuse	4AT	SOC	5 x 20 mm	SHV12 4A
Fuse	5AT	Schurter	OMK 125	3404.2317.11
Fuse	5AT	Littelfuse	Series 154	154.005
20-Hz Bandpass	7XT34	Siemens	-	7XT3400-0*A00/BB
Mounting rail for 19" racks (2 pieces)				C73165-A63-D200-1



Содержание

Данные по совместимости	28
Примечания и предупреждения	28
Распаковка и упаковка	30
Хранение и транспортировка	30
Применение	31
Описание функции	31
Переключки и предохранители на печатных платах	35
Размеры	37
Рекомендации по установке	39
Технические данные	41
Общая схема	48
Примеры схем подключения	49
Спецификации заказа устройства	50



Данные по совместимости

Настоящее устройство отвечает директивам Совета Европейского Экономического Сообщества (ЕЭС) о тождественности законов Государств-участников в области электромагнитной совместимости (EMC(ЭМС) Директива Совета 2004/108/ЕЭС), касающихся электрооборудования, используемого в заданных классах напряжения (Директива о низком напряжении 2006/95 ЕЭС).

Соответствие устройства подтверждается результатами испытаний, проведенных Siemens AG в соответствии с Директивой Совета согласно основным стандартам EN 61000-6-2 и EN 61000-6-4 (директива по ЭМС) и стандарту EN 60255-6 (для низковольтных устройств).

Данное устройство разработано и произведено для использования на промышленных объектах.

Изделие соответствует международным требованиям МЭК 60255 и немецкому стандарту VDE 0435.

Примечания и предупреждения

Предупреждения и примечания, содержащиеся в настоящей документации, служат для Вашей безопасности и обеспечения предусмотренного срока службы устройства. Пожалуйста, обращайтесь на них особое внимание!

Используются следующие термины:



ОПАСНО

означает, что несоблюдение соответствующих мер предосторожности приводит к смерти, тяжелым травмам или значительному материальному ущербу.



Предупреждение

означает, что несоблюдение соответствующих мер предосторожности может привести к смерти, тяжелым травмам или значительному материальному ущербу.

**Предостережение**

указывает, что несоблюдение мер предосторожности может привести к травмам персонала или повреждению оборудования. В особенности это касается повреждений самого устройства и повреждений, вызванных этим.

**Примечание**

обращает внимание на информацию об устройстве или на соответствующую часть этого руководства, существенную для выделения.

**Предупреждение!**

Во время работы устройство находится под высоким напряжением. Серьезные телесные повреждения или существенный материальный ущерб могут иметь место при несоблюдении соответствующих мер безопасности.

С устройством и вблизи него должен работать только квалифицированный персонал. Указанный персонал должен быть ознакомлен со всеми предупреждениями и примечаниями по безопасности, приведенными в настоящем руководстве, а также должен знать соответствующие правила техники безопасности.

Бесперебойная и безопасная эксплуатация данного устройства возможна только при соблюдении квалифицированным персоналом надлежащих правил транспортировки, хранения, монтажа, эксплуатации и обслуживания, приведенных в настоящем руководстве.

В частности, необходимо соблюдать общие предписания по монтажу и технике безопасности при работе с устройствами высокого напряжения (например, согласно стандартам ANSI, МЭК, EN, DIN, или другим государственным и международным стандартам). Несоблюдение настоящих предостережений может привести к фатальному исходу, травмам персонала или к значительному материальному ущербу.

КВАЛИФИЦИРОВАННЫЙ ПЕРСОНАЛ

Применительно к данному руководству и торговой марке, квалифицированным персоналом считаются специалисты, знакомые с конструкцией и эксплуатацией оборудования, а также с опасностями, связанными с этим. Персонал должен быть:

- Подготовлен и допущен к проведению операций по включению и отключению питания, проверке, заземлению и маркированию цепей и оборудования в соответствии с установленными правилами техники безопасности.
- Обучен правильному уходу и обслуживанию защитного оборудования в соответствии с установленной практикой по безопасности.
- Обучен оказанию первой помощи.

Распаковка и упаковка

При поставке с завода-изготовителя оборудование упаковано согласно нормативам, приведенным в стандарте МЭК 60255-21, который определяет стойкость упаковки к ударам и сотрясениям.

Эту упаковку следует удалять аккуратно, не применяя излишнюю силу и непредназначенные для этого инструменты. Необходимо провести визуальный контроль оборудования, чтобы убедиться, что оно не имеет внешних повреждений.

Пожалуйста, соблюдайте все указания и рекомендации, приведенные на упаковке.

Перед первым включением устройства или после длительного хранения устройство необходимо поместить в рабочие условия как минимум на два часа, чтобы тем самым обеспечить выравнивание температуры и исключить влияние влажности и выпадение конденсата.

При последующей транспортировке упаковку можно использовать повторно, выполняя действия, описанные выше. Упаковка для хранения отдельных реле не подходит для транспортировки. Если используется неоригинальная упаковка, то она должна обеспечивать ту же степень защиты от механических ударов и вибраций, которая описывается стандартами МЭК 60255-21-1, класс 2 и МЭК 60255-21-2, класс 1.

Хранение и транспортировка

Устройство необходимо хранить в сухих и чистых помещениях. Границы диапазона температуры хранения реле и запасных частей к ним соответствуют значениям от

-25 °C до +55 °C или, соответственно, от -13 °F до 131 °F.

Относительная влажность должна находиться в таких пределах, при которых исключается возможность выпадения конденсата или инея.

Применение

Генератор напряжения частоты 20 Гц 7ХТ33 используется вместе с полосовым фильтром 7ХТ34 для устройства защиты электрических машин (7УМ62). Генератор реализует источник напряжения, подводимого к нейтрали генератора, что позволяет реализовать 100% защиту статора от замыканий на землю. Подведение напряжения выполняется подключением 7ХТ33 и 7ХТ34 к нагрузочному сопротивлению трансформатора в нейтрали или заземляющего трансформатора. Функция 100% защиты статора от замыканий на землю обнаруживает замыкания на землю в обмотках статора генераторов, подключенных к сети через блочный трансформатор. Устройство защиты, работающее вместе с 7ХТ33, фиксирует замыкания на землю во всех обмотках, включая нейтраль электрической машины. Используемый принцип измерения абсолютно не зависит от режима работы генератора и дает возможность выполнять измерения даже в режиме остановки генератора.

Описание функции

Основной принцип работы

7ХТ33 подводит к нейтрали генератора напряжение, составляющее максимум 1% от номинального напряжения генератора. При возникновении замыкания на землю в нейтрали генератора, напряжение частотой 20 Гц создает ток, протекающий через сопротивление точки повреждения. Из этих величин тока и напряжения устройство защиты определяет сопротивление повреждения. Описываемый здесь принцип функционирования защиты также подходит для обнаружения замыканий на землю на выводах генератора, включая в зону защиты также и подключенные элементы, такие как трансформаторы напряжения.

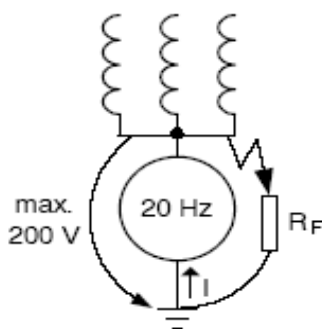


Рисунок 1 Основной принцип приложения напряжения к нейтрали генератора



Примечание

7ХТ33 всегда используется вместе с 7ХТ34.

Напряжение питания

Для организации питания 7ХТ33 можно использовать или трехфазный ток, или постоянное напряжения аккумуляторной батареи энергообъекта. При пусконаладочных испытаниях, которые ограничены по времени, 7ХТ33 также в качестве питания может использовать однофазное переменное напряжение.



Примечание

Если для питания используется трехфазный ток (при подключении к трехфазному трансформатору напряжения), убедитесь, пожалуйста, что трансформатор имеет достаточную мощность. Рекомендуется: более 100 ВА.

Описание функционирования генератора напряжения частотой 20 Гц

7ХТ33 выдает выходное напряжение с импульсами прямоугольной формы частотой 20 Гц. Под нагрузкой среднеквадратическое напряжение составляет 25 В.

Дискретный вход (зажимы 6, 8) можно использовать для блокировки генератора напряжения частотой 20 Гц. Функция блокировки активируется, если сигнал на входе существует 500 мс. После этого выходной модуль отключается, загорается красный светодиод ERROR (Ошибка), а контакт самодиагностики возвращается (состояние покоя).

Устройство обладает следующими функциями контроля:

- При подаче напряжения питания или при перезапуске устройства, значение напряжения питания должно превысить пороговое значение 80 В, для того, чтобы на выходе устройства появился сигнал 20 Гц и чтобы сработало реле самодиагностики (реле готовности). В течение этого времени зеленый светодиод RUN (Работа) мигает. Функция блокировки через дискретный вход в течение этого времени не работает.
- Если внутреннее напряжение устройства снижается из-за КЗ во внешних цепях (например, между 7ХТ33 и 7ХТ34), либо имеет место недопустимая перегрузка выходной цепи, то происходит отключение выходного модуля; тем самым реализуется защита устройства. Контакт готовности возвращается (состояние покоя), и загорается красный светодиод ERROR (Ошибка). По истечении выдержки, приблизительно равной 60 с, устройство осуществляет попытку перезапуска. При перезапуске светодиод ERROR (Ошибка) мигает. Если неисправность не устранена, загорается светодиод ERROR (Ошибка) (неуспешное повторное включение), и после выдержки времени устройство осуществляет попытку перезапуска. Эти действия выполняются до тех пор, пока неисправность не будет устранена. Если внутреннее напряжение устройства появляется вновь, устройство перезапускается автоматически.

- Если при рабочих условиях (внутреннее напряжение устройства находится в допустимых пределах) напряжение частотой 20 Гц на выходе становится меньше 17 В (при коротком замыкании) или больше 73 В, то выходной модуль отключается, контакт готовности возвращается, и загорается светодиод ERROR (Ошибка). Повышение напряжения более 73 В может быть напряжением помехи со стороны генератора.

Таблица 1 (ниже) дает обзор всех рабочих состояний и сигналов.

Таблица 1 Рабочие состояния и сигналы

Красный светодиод „ERROR“ (Ошибка)	Зеленый светодиод „RUN“ (Работа)	Описание	Состояние реле готовности	Выходной сигнал 20 Гц
ОТКЛ	ВКЛ	Устройство готово к работе	В сраб. сост.	Да
ВКЛ	ОТКЛ	Устройство не готово к работе или заблокировано через дискретный вход	В несраб. сост.	Нет
ОТКЛ	Мигает	Напряжение питания < 80 В	В несраб. сост.	Нет
Мигает	ОТКЛ	Перезапуск	В несраб. сост.	Нет
ОТКЛ	ОТКЛ	Устройство отключено	В несраб. сост.	Нет

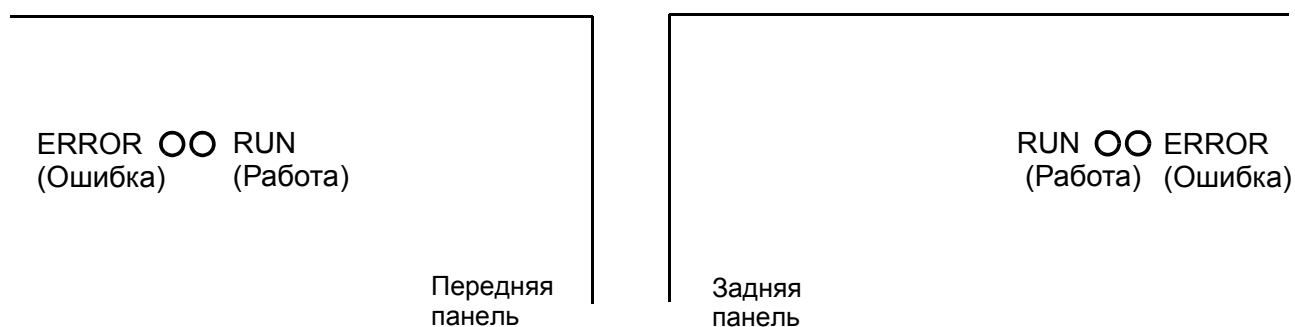


Рисунок 2 Положение светодиодов ERROR (Ошибка) и RUN (Работа) на передней и задней панели

Напряжение срабатывания входа блокировки

Уставка срабатывания входа блокировки при поставке устройства задана равной 88 В постоянного напряжения. Для работы с напряжением срабатывания дискретного входа 24/48/60 В постоянного напряжения должна использоваться перемычка S1 на модуле управления (С53207-А332-В2-, см. рисунок 4), которая нужна для уменьшения порога срабатывания до значения 19 В постоянного напряжения (Х401-Х402).

Таблица 2 Блокирующий вход

Напряжение срабатывания дискретного входа	24 -250 В постоянного тока, обе полярности	
Потребляемый ток в режиме срабатывания	Прибл. 1.8 мА, независимо от напряжения срабатывания	
Значение срабатывания	выбирается с помощью перемычки S1, см .рис. 4	
для напряжений срабатывания	24/48/60 В пост. напр.	$U_{\text{выс}} \geq 19 \text{ В DC}$ $U_{\text{низк}} \leq \text{DC } 10 \text{ В}$
для напряжений срабатывания	DC 110/125 В DC 220/250 В	$U_{\text{выс}} \geq 88 \text{ В DC}$ $U_{\text{низк}} \leq \text{DC } 44 \text{ В}$
Максимальное допустимое напряжение	DC 300 В	
Фильтрация импульса на входе	Сигнал должен существовать 500 мс	

Таблица 3 Перемычка S1

Для напряжений срабатывания DC 24/48/60 В	Перемычка в положении "Х401-Х402" (порог срабатывания DC 19 В)
Для напряжений срабатывания DC 110/125/220/250 В	Перемычка в положении "Х402-Х403" (порог срабатывания DC 88 В)

Переключки и предохранители на печатных платах

Модуль источника питания C53207-A332-B12- of 7XT3300-0*A00/DD

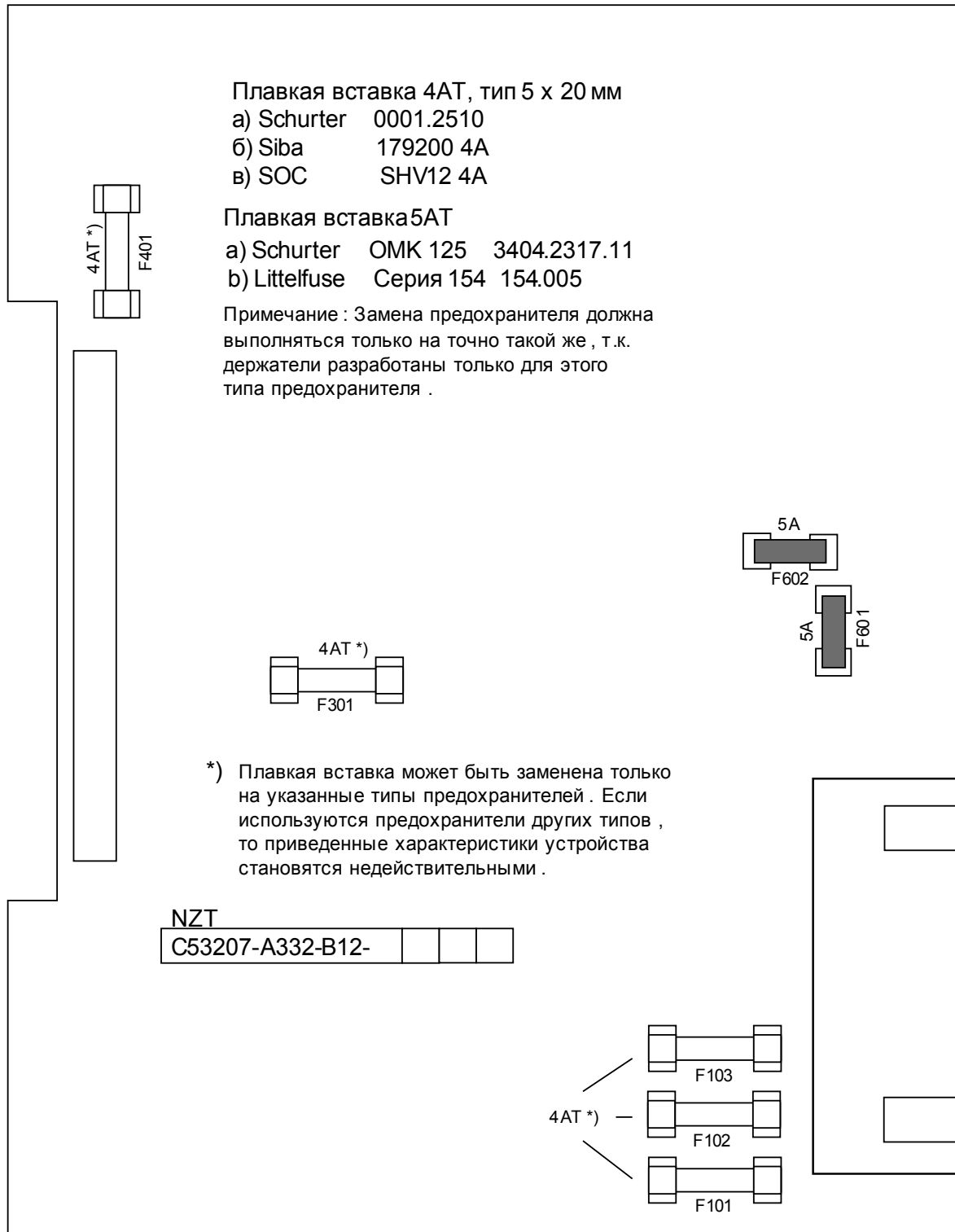


Рисунок 3 Модуль источника питания с расположением предохранителей

Модуль управления С53207-А332-В2- of 7ХТ3300-0*А00/DD

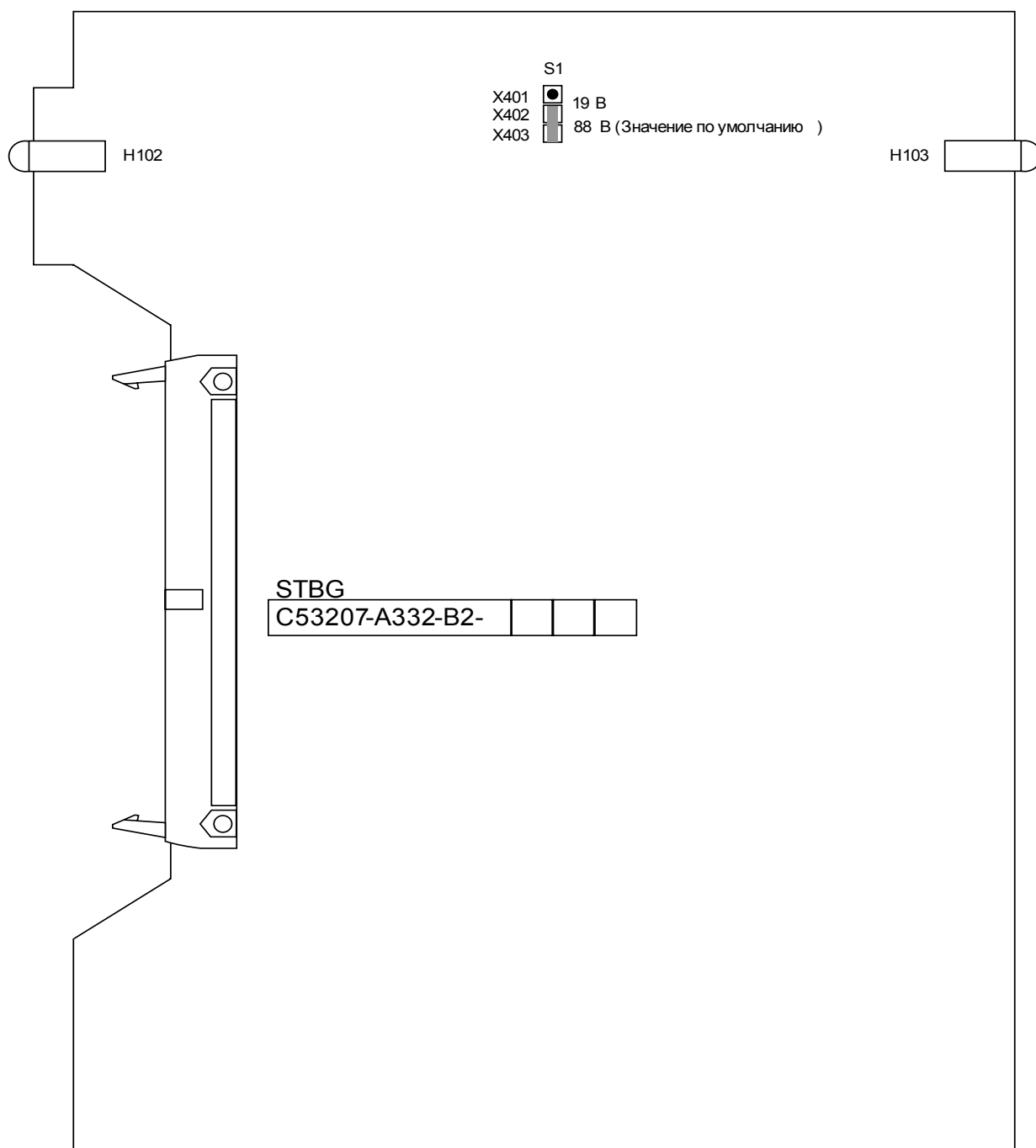


Рисунок 4 Модуль управления с расположением переключки

Размеры

Корпус 7XT33 для навесного монтажа

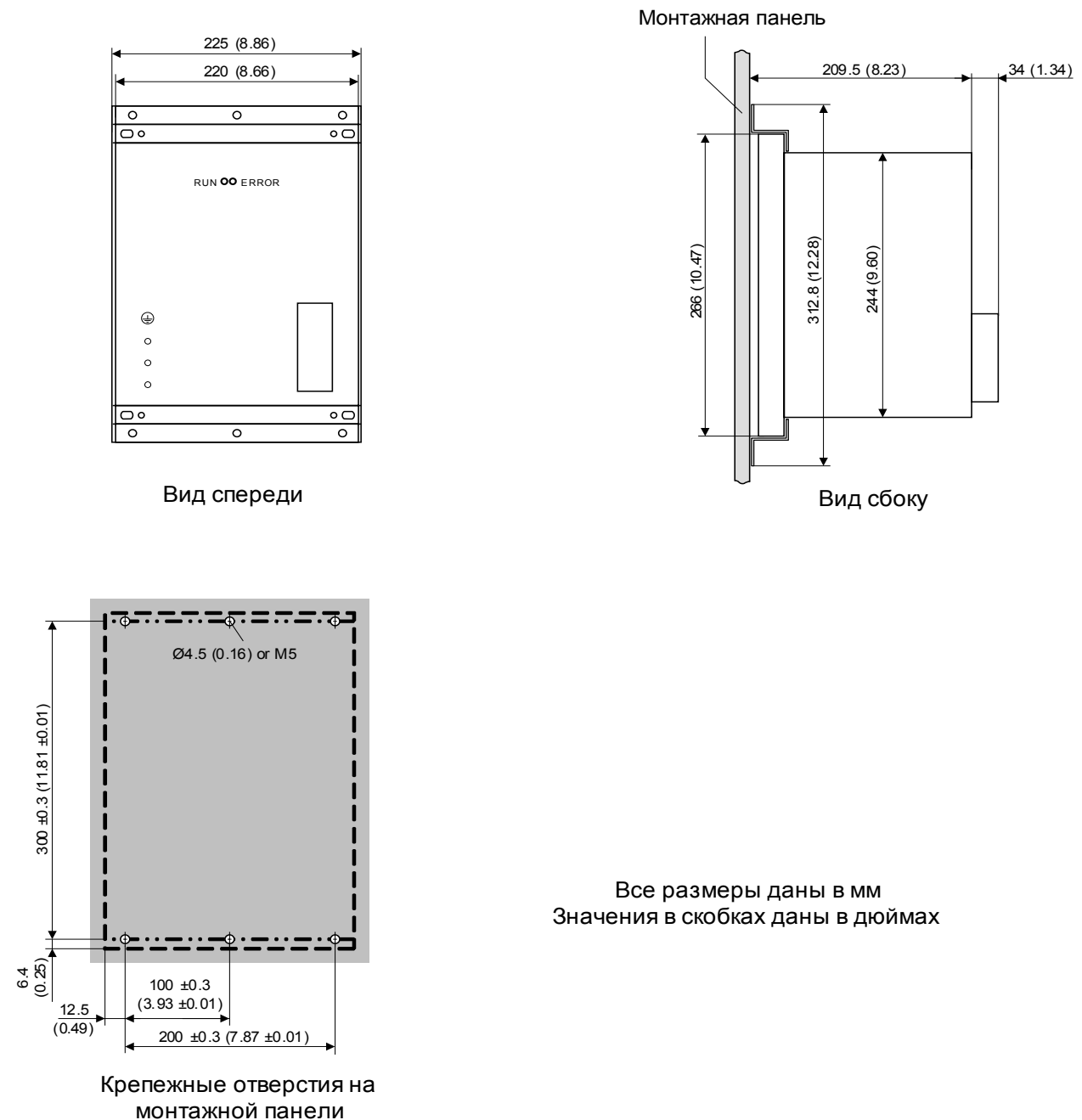
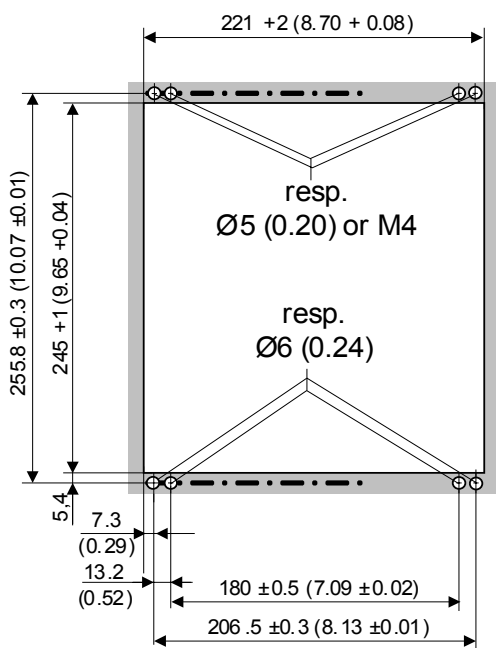
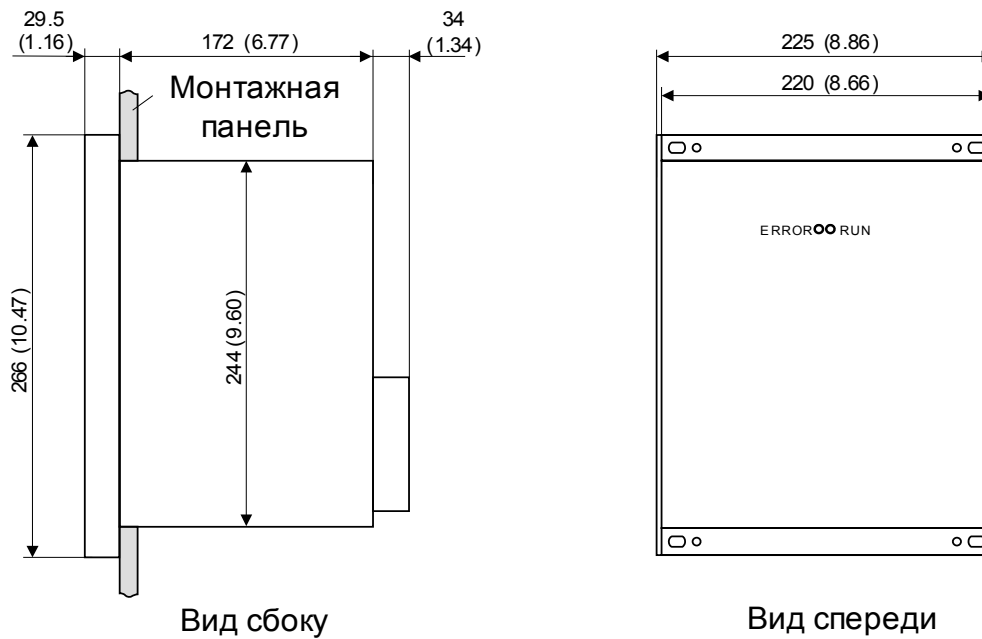


Рисунок 5 Размеры 7XT33 в корпусе для навесного монтажа

Корпус 7XT33 для утопленного монтажа на панели или в шкафу



Все размеры даны в мм
Значения в скобках даны в дюймах

Рисунок 6 Размеры 7XT33 в корпусе для утопленного монтажа на панели или в шкафу

Рекомендации по установке

Винтовые зажимы блока разъемов

Для подключения устройства к защитному заземлению используйте провода сечением минимум 2.5 мм, что позволит реализовать низкоомное соединение!

Для подключения цепей к устройству используйте винтовые зажимы; убедитесь, что соблюдена вся маркировка, допустимые сечения и радиусы изгибов.

При поставке винтовые зажимы 12-ти контактного блока зажимов на корпусе не затянуты.



Примечание

По соображениям электромагнитной совместимости вам необходимо скрутить пару проводов между 7ХТ33 (зажимы 11/12) и 7ХТ34 (зажим 1В4) таким образом, чтобы получилось около 20 витков (см. рисунок 10). Соединительные провода не должны быть длиннее 35 см в сплетенном состоянии.

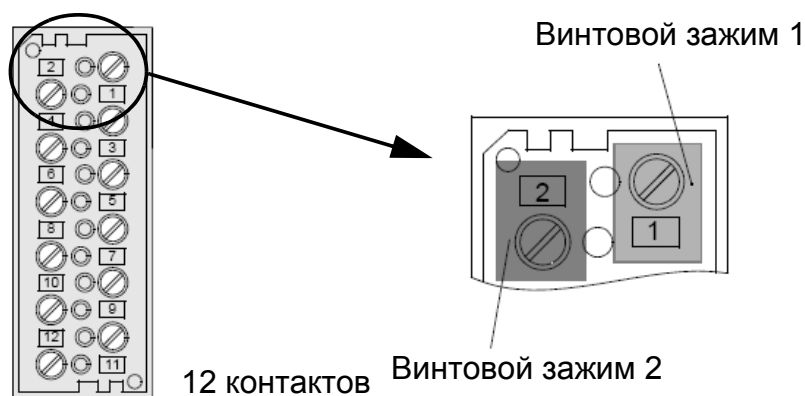


Рисунок 7 Винтовые зажимы 12-ти контактного блока зажимов

Таблица 4 Блок зажимов

Разъем	Обозначение
1	Напряжение питания, L1 (U_{H+})
2	Напряжение питания, L2 (U_{H-})
3	Напряжение питания, L3
4	Земля, PE
5	Контакт готовности, L+
6	Блокирующий вход (+), дискретный
7	Контакт готовности, ERROR (Ошибка)
8	Блокирующий вход (-), дискретный
9	Контакт готовности, RUN (Работа)
10	Резерв
11	Выход 20 Гц, А
12	Выход 20 Гц, В

Данные по подключению

Если используются вилочные кабельные наконечники или соединительные муфты, то участок загиба провода необходимо изолировать должным образом. Это также можно выполнить с помощью термоусадочной трубки.

При этом должны быть учтены следующие данные:

Кабельные наконечники под винт диаметром 4 мм;
макс. наружный диаметр 10 мм;
для сечения от 1.0 мм² до 2.6 мм²; соотв. AWG 16 - AWG 14.

Сечение для выходов 11 / 12 должно быть равно 2.5 мм².

Используйте только медный кабель!

Рекомендуется использовать кабельные наконечники серии PIDG производителя Tусо Electronics AMP, например
кольцевой кабельный наконечник PIDG PN 320565-0,
вилочный кабельный наконечник PIDG PN 321233-0.

Непосредственное соединение с помощью оголенного одножильного провода или многожильного провода с концевой муфтой;
для сечения от 0.5 мм² до 2.6 мм²; AWG 20 - AWG 14.

При использовании одиночного провода, его конец необходимо вставлять таким образом, чтобы при затяжке винта он лежал в углублении контакта.

Используйте только медный кабель!

Длина оголенного участка одножильного проводника от 9 мм до 10 мм или от 0.354 дюйма до 0.394 дюйма.

макс. момент затяжки 1.8 Нм или 16 фунт-дюйм.

Технические данные

Напряжение питания

Напряжение питания (используется блок питания для работы с широким диапазоном напряжений)

Постоянное напряжение

Номинальное напряжение питания (DC) U_{H-}	DC 110 В - DC 220 В
Допустимый диапазон напряжения (DC)	DC 88 В - DC 250 В

Напряжение питания (AC)

Напряжение питания (AC) $U_{H\sim}$, трехфазное	3 x AC 100 В - AC 120 В
Напряжение питания (AC) $U_{H\sim}$, однофазное	AC 100 В - AC 120 В
Допустимый диапазон напряжения (DC)	AC 88 - 130 В

Потребляемая мощность при сопротивлении $8 \Omega \leq 100 \text{ ВА}$
(8Ω = последовательно подключаемое сопротивление 7ХТ34 при 20 Гц)

Время бесперебойной работы при неисправностях напряжения питания U_{H-} (DC 110 В) / коротком замыкании	≥ 50 мс при номинальной нагрузке (с подключенным полосовым фильтром 7ХТ34)
---	---



Примечание

Напряжение питания AC 230 В является допустимым только на период ввода в эксплуатации, который ограничен по времени.

Выходное напряжение частотой 20 Гц

Зажимы 11 и 12

Выходное напряжение 20 Гц ± 0.1 Гц 26 В ± 5 %, прямоугольные импульсы,

Выходная мощность, длительно 100 ВА для всех диапазонов



Примечание

Выход неустойчив к коротким замыканиям!

КПД при 8Ω

приблизительно 76 %

Блокирующий вход*Зажимы 6 и 8*

Порог срабатывания входа	диап. напряжений задается переключкой
- для напряжения питания 24/48/60 В	DC 19 В: $U_{\text{выс}} \geq \text{DC } 19 \text{ В}$, $U_{\text{низк}} \leq \text{DC } 10 \text{ В}$
- для напряжения питания 110/125/220/250 В	DC 88 В: $U_{\text{выс}} \geq \text{DC } 88 \text{ В}$, $U_{\text{низк}} \leq \text{DC } 44 \text{ В}$
Допустимое напряжение, длительно	DC 300 В

Контакт готовности устройства*Зажимы 5, 7 и 9*

Коммутационная способность на ЗАМЫКАНИЕ/РАЗМЫКАНИЕ	30 Вт/ВА
Напряжение срабатывания при ≤ 30 с	DC 250 В
Допустимый ток ЗАМЫКАНИЯ контакта	5 А
Допустимый ток РАЗМЫКАНИЯ контакта	3 А

Допустимая температура окружающей среды

при $R_L < 5 \Omega$	$\leq 55 \text{ }^\circ\text{C}$ или $\leq 131 \text{ }^\circ\text{F}$
при $R_L > 5 \Omega$	$\leq 70 \text{ }^\circ\text{C}$ или $\leq 158 \text{ }^\circ\text{F}$

**Примечание**

R_L - нагрузочное сопротивление на выходе полосового фильтра 7ХТ34 (см. рисунок 10).

Электрические испытанияСпецификации

Стандарты	МЭК (IEC) 60255 (стандарты на продукцию) Стандарт IEEE C37.90.0/1/2 VDE 0435 Для других стандартов см. отдельные испытания
-----------	---

Испытание изоляции

Стандарты	МЭК 60255-5 и МЭК 60870-2-1
Испытание высоким напряжением (типовые испытания)	DC 3,5 кВ
Испытание импульсным напряжением (типовые испытания) все цепи, Класс III	5 кВ (ампл. значение); 1.2/50 мкс; 0.5 Дж; 3 положительных и 3 отрицательных импульса с интервалом 5 с

Испытания ЭМС на помехоустойчивость(типовые испытания)

Стандарты	МЭК 60255-6 и -22 (стандарты на продукцию) EN 61000-6-2 (базовая спецификация) VDE 0435 Часть 301DIN VDE 0435-110
Испытания высокой частотой МЭК 60255-22-1, класс III и VDE 0435 Часть 303, класс III	2.5 кВ (ампл. значение); 1 МГц; $\tau = 15 \mu\text{с}$; 400 импульсов в сек.; продолжительность испытания 2 с; $R_i = 200 \Omega$
Электростатический разряд МЭК 60255-22-2, класс IV и МЭК 61000-4-2, класс IV	8 кВ контактный разряд; 15 кВ воздушный разряд, обе полярности; 150 пФ; $R_i =$ 330 Ω
Воздействие ВЧ поля, частотная модуляция МЭК 60255-22-3, класс III МЭК 61000-4-3, класс III	10 В/м; 80 - 1000 МГц; 80% AM; 1 кГц 10 В/м; 800 МГц - 960 МГц; 80 % AM; 1 кГц 10 В/м; 1,4 ГГц - 2,7 ГГц; 80 % AM; 1 кГц
Воздействие ВЧ поля, одна частота МЭК 60255-22-3, МЭК 61000-4-3, класс III - амплитудно-модулированный - импульсная модуляция	10 В/м 80; 160; 450; 900 МГц; 80 % ампл. модул; 1 кГц; время > 10 с 900 МГц; 50 % имп. модул., частота повторения 200 Гц

Быстрые переходные возмущения Переменные / Импульсы МЭК 60255-22-4 и МЭК 61000-4-4, класс IV	4 кВ; 5/50 нс; 5 кГц; длительность импульса = 15 мс; частота повторения 300 мс; обе полярности; $R_i = 50 \Omega$; длительность испытания 1 мин
Импульсное перенапряжение (ВОЛНА), МЭК 61000-4-5 класс установки 3 - Напряжение питания - Аналоговые измерительные входы, дискретные входы и выходные реле	Импульс: 1.2/50 μ с Синфазный сигнал: 2 кВ; 12 Ω ; 9 μ Ф Разночастотный режим: 1 кВ; 2 Ω ; 18 μ Ф Синфазный сигнал: 2 кВ; 42 Ω ; 0,5 μ Ф Разночастотный режим: 1 кВ; 42 Ω ; 0.5 μ Ф
Наведенная на линии ВЧ помеха, амплитудная модуляция МЭК 61000-4-6, класс III	10 В; 150 кГц - 80 МГц; 80 % АМ; 1 кГц
Магнитное поле промышленной частоты МЭК 60255-6 МЭК 61000-4-8, класс IV	0.5 мТл; 50 Гц, 30 30 А/м; длительно; 300 А/м 3 с; 50 Гц
Устойчивость к колебательным перенапряжениям Стандарт IEC 61000-4-11	2.5 кВ (ампл. значение); 1 МГц; $\tau = 15 \mu$ с; 400 импульсов в секунду; продолжительность испытания 2 с; $R_i = 200 \Omega$
Устойчивость к быстротекущим волновым переходным процессам Стандарт IEC 61000-4-12	4 кВ; 5/50 нс; 5 кГц; длительность импульса = 15 мс; частота повторения 300 мс; обе полярности; $R_i = 50 \Omega$; длительность испытания 1 мин
Воздействие электромагнитным излучением Стандарт IEC (CISPR) 61000-4-3	35 В/м; 80 - 1000 МГц
Затухающие колебания МЭК 61000-4-18	2.5 кВ (ампл. значение), переменная полярность 100 кГц, 1 МГц, $R_i = 200 \Omega$

ЭМС-испытания на излучение помех (типовые испытания)

Стандарт	EN 61000-6-4 (базовая спецификация)
Напряжение радиопомех на линии, только цепи напряжения питания IEC-CISPR 11	150 кГц - 30 МГц Предельные значения класса А
Напряженность поля радиопомех IEC-CISPR 11	30 - 1000 МГц Предельные значения класса А

Механические испытанияИспытания вибрациями и ударами во время работы

Стандарты	МЭК 60255-21 и МЭК 60068
Вибрация МЭК 60255-21-1, класс 2 МЭК 60068-2-6	синусоидальные 10 - 60 Гц: ± 0.075 мм амплитуда; 60 - 150 Гц: ускорение 1 g Периодичность изменения частоты 1 октава/мин, 20 циклов в 3-х ортогональных осях
Удары МЭК 60255-21-2, класс 1 МЭК 60068-2-27	полусинусоидальные Ускорение 5 g, длительность 11 мс, на каждую из 3-х осей в обоих направлениях по 3 удара
Сейсмические вибрации МЭК 60255-21-3, класс 1 МЭК 60068-3-3	синусоидальные 1 - 8 Гц: ± 3.5 мм амплитуда(по горизонтальной оси) 1 - 8 Гц: ± 1.5 мм амплитуда (по вертикальной оси) 8 - 35 Гц: 1 g ускорение (по горизонтальной оси) 8 - 35 Гц: 0,5 g ускорение (по вертикальной оси) Периодичность изменения частоты 1 октава/мин по 1 циклу в 3-х ортогональных осях

Вибрационная и ударная нагрузка при транспортировке

Стандарты	МЭК 60255-21 и МЭК 60068
Вибрация МЭК 60255-21-1, класс 2 МЭК 60068-2-6	синусоидальные 5 - 8 Гц: $\pm 7,5$ мм амплитуда; 8 - 150 Гц: 2 g ускорение Периодичность изменения частоты 1 октава/мин 20 циклов в 3-х ортогональных осях
Удары МЭК 60255-21-2, класс 1 МЭК 60068-2-27	полусинусоидальные Ускорение 15 g, длительность 11 мс, на каждую из 3-х осей в обоих направлениях по 3 удара
Длительные ударные воздействия МЭК 60255-21-2, класс 1 МЭК 60068-2-29	полусинусоидальные Ускорение 10 g, длительность 16 мс, 1000 на каждую из 3-х осей в обоих направлениях по 3 удара

Испытания климатическими воздействиямиТемпература

Стандарты	МЭК 60255-6
Допустимая временная рабочая температура (тестировано в течение 96 час)	-25 С до +70 С
Рекомендуемая температура эксплуатации (согласно МЭК 60255-6)	-5 С до +55 С
Предельные температуры хранения	-25 С до +55 С
Предельные температуры транспортировки	-25 С до +70 С
Хранение и транспортировка устройства - в заводской упаковке!	

Влажность .

Допустимая влажность	Среднегодовое значение относительной влажности воздуха $\leq 75\%$; 56 дней в году допускается повышение относительной влажности до 93%. Не допускать выпадения конденсата во время работы!
Все устройства следует устанавливать таким образом, чтобы они не попадали под действие прямых солнечных лучей, не оказывались под влиянием перепадов температур, которые могут привести к конденсации.	

Корпус

Размеры	См. рисунки 5 и 6
Вес	Приблизительно 6.1 кг
Степень защиты в соответствии с EN 60529	IP20

**Примечание**

При максимальной выходной мощности потери мощности устройства составляют приблизительно 24 Вт. Чтобы обеспечить беспрепятственное рассеяние тепла через вентиляционные отверстия, расстояния между соседними устройствами, располагаемыми сверху и снизу, должны быть равны как минимум 100 мм. В связи с этим, данное устройство при монтаже необходимо располагать в нижней части шкафа.

Общая схема

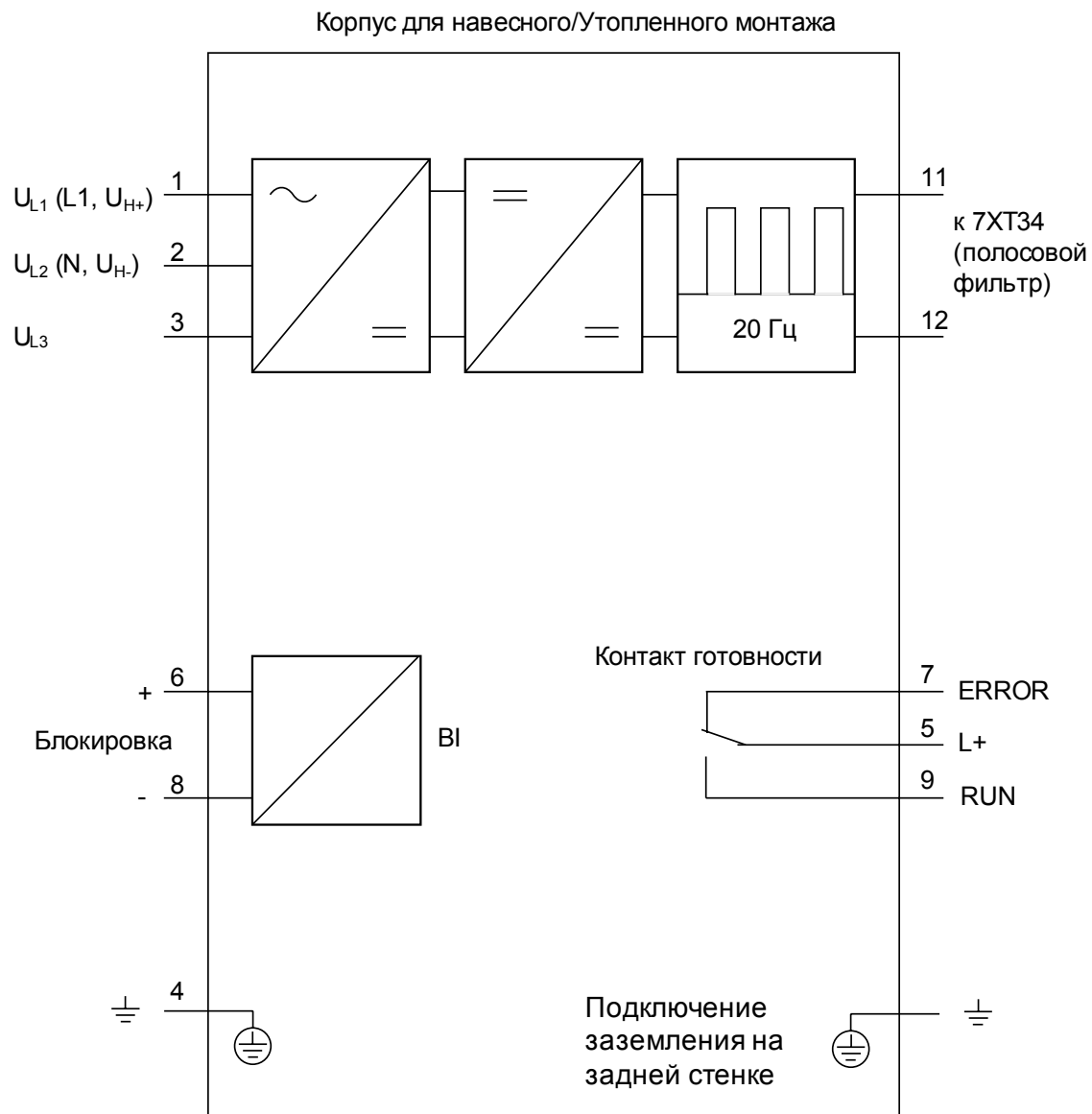


Рисунок 8 Общая схема 7ХТ3300-0*А00/DD

Примеры схем подключения

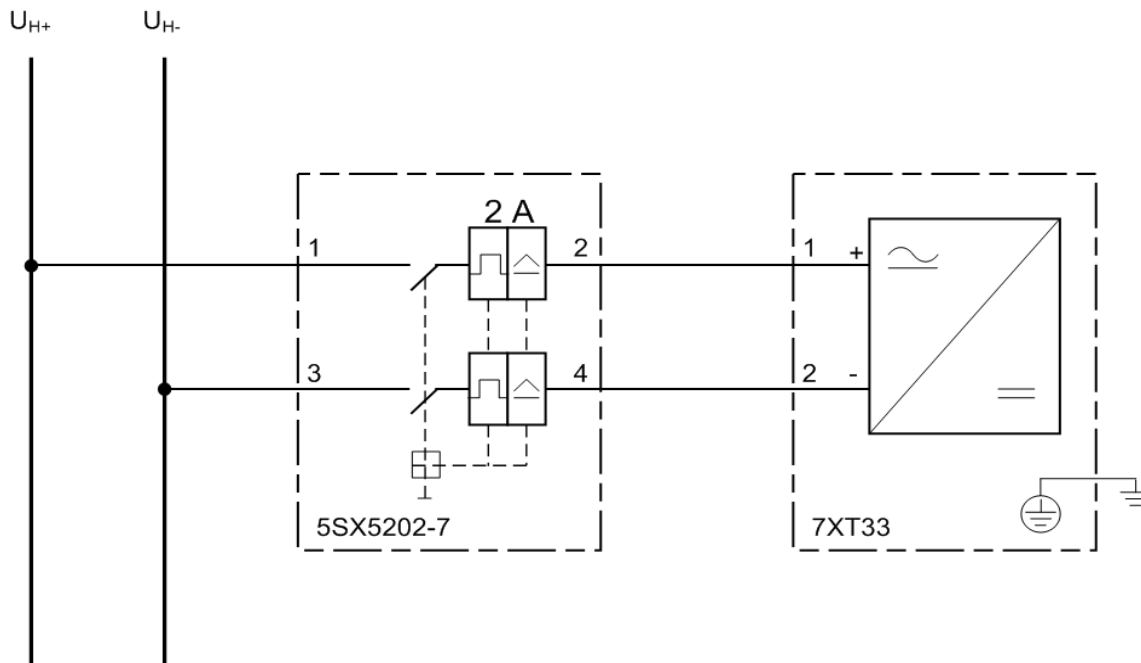


Рисунок 9 Подключение 7ХТ33 к напряжению питания (DC) через защитный автомат 2-А

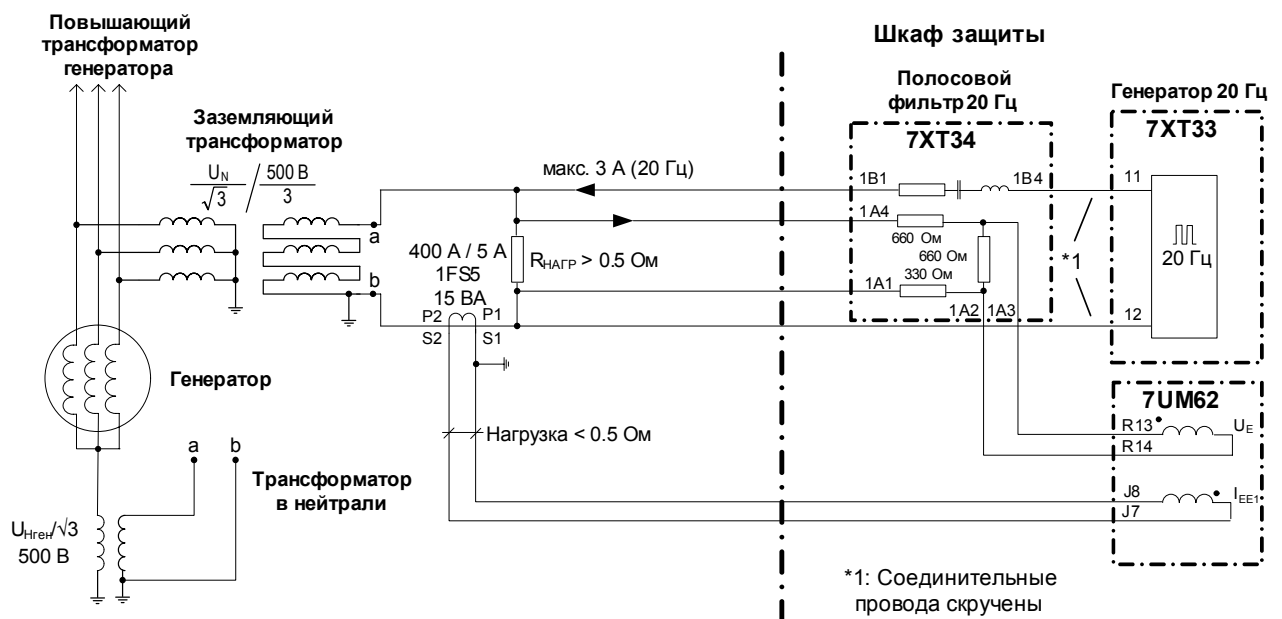


Рисунок 10 Подключение 100% защиты статора от замыканий на землю к заземляющему трансформатору или трансформатору в нейтрали



Примечание

Для обеспечения правильной работы защиты на принципе использования частоты 20 Гц, нагрузочное сопротивление R_L должно быть $> 0.5 \Omega$.

Спецификации заказа устройства*Коды заказа:*

Устройство	№ заказа
Корпус для навесного монтажа с винтовыми зажимами	7XT3300-0BA00
Корпус с винтовыми зажимами	7XT3300-0CA00

Дополнительные принадлежности:

Дополнительные принадлежности	Тип	Производитель	Размеры / обозначение	№ заказа
Автоматический выключатель	5SX5202-7	Siemens		
Предохранитель	4AT	Schurter	5 x 20 мм	0001.2510
Предохранитель	4AT	Siba	5 x 20 мм	179200 4A
Предохранитель	4AT	SOC	5 x 20 мм	SHV12 4A
Предохранитель	5AT	Schurter	OMK 125	3404.2317.11
Предохранитель	5AT	Littelfuse	Серия 154	154.005
Полосовой фильтр 20 Гц	7XT34	Siemens	-	7XT3400-0*A00/BB
Монтажная рейка для 19" стойки (2 штуки)				C73165-A63-D200-1

■

Document release/Версия документа 04.00.03

Subject to technical alteration

Мы оставляем за собой право проводить технические изменения без дополнительного уведомления.

Copying this document and giving it to others and the use or communication of the contents thereof, are forbidden without express authority. Offenders are liable to the payment of damages. All Rights are reserved in the event of the grant of a patent or registration of a utility model or design.

Копирование этого документа и передача его третьим лицам, а также использование или передача содержимого документа запрещены при отсутствии такого рода полномочий. Нарушитель данного соглашения несет ответственность за возмещение убытков. При предоставлении патента, регистрации модели или дизайна, все права защищены.

Siemens Aktiengesellschaft

Order-No/Номер заказа: C53000-B119U-C129-1
Available from/Доступно от: E D EA BIn W5
Printed in Germany/ Отпечатано в Германии