

Meter/Load Center Combinations

Surface Mount (MC0816B1200SCTM)

FEATURES

- UL Listed only for use as service entrance equipment
- NEMA Type 3R enclosure with painted, G90 galvanized steel
- 22,000A IC rating
- Feed-thru lugs provided
- Overhead and Underground feed
- Ring style meter cover
- Tin plated copper bus bars
- 7" deep can
- Steel breaker mounting base pan
- *INSTA-WIRE* neutrals and grounds
- Visible neutrals and grounds
- Side-hinged load center door; requires the removal of only one screw to remove door
- Surface mounting
- Key hole shaped mounting holes for easy hanging
- Deadfront pull ring
- Captive deadfront screw
- See wiring diagram for lug sizes and torque data

ACCESSORIES

- Top end wall has type RX hub provisions:
 - EC38597 (1-1/4")
 - EC38598 (1-1/2")
 - EC38599 (2")
 - EC385600 (2-1/2")
- Bottom end wall has type HC hub provisions:
 - EHC200 (2")
 - EHC250 (2-1/2")
 - EHC300 (3")
- Ground bar kits:
 - ECGB5, ECGB10, ECGB14 (check wiring diagram for limitations)
- 2/0 - #4 wire range Lug Kit: ECLK2
- 5th Jaw Assembly: EMC5J
- Mechanical Breaker Interlock: ECQML12
- Meter Socket Jumper: ECJS
- Filler Plate: QF3 or ECQF3



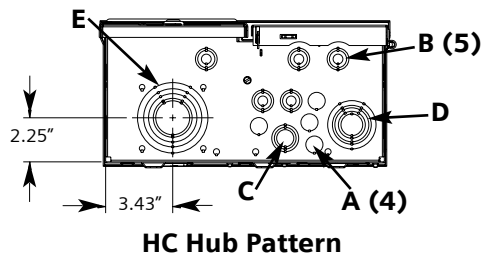
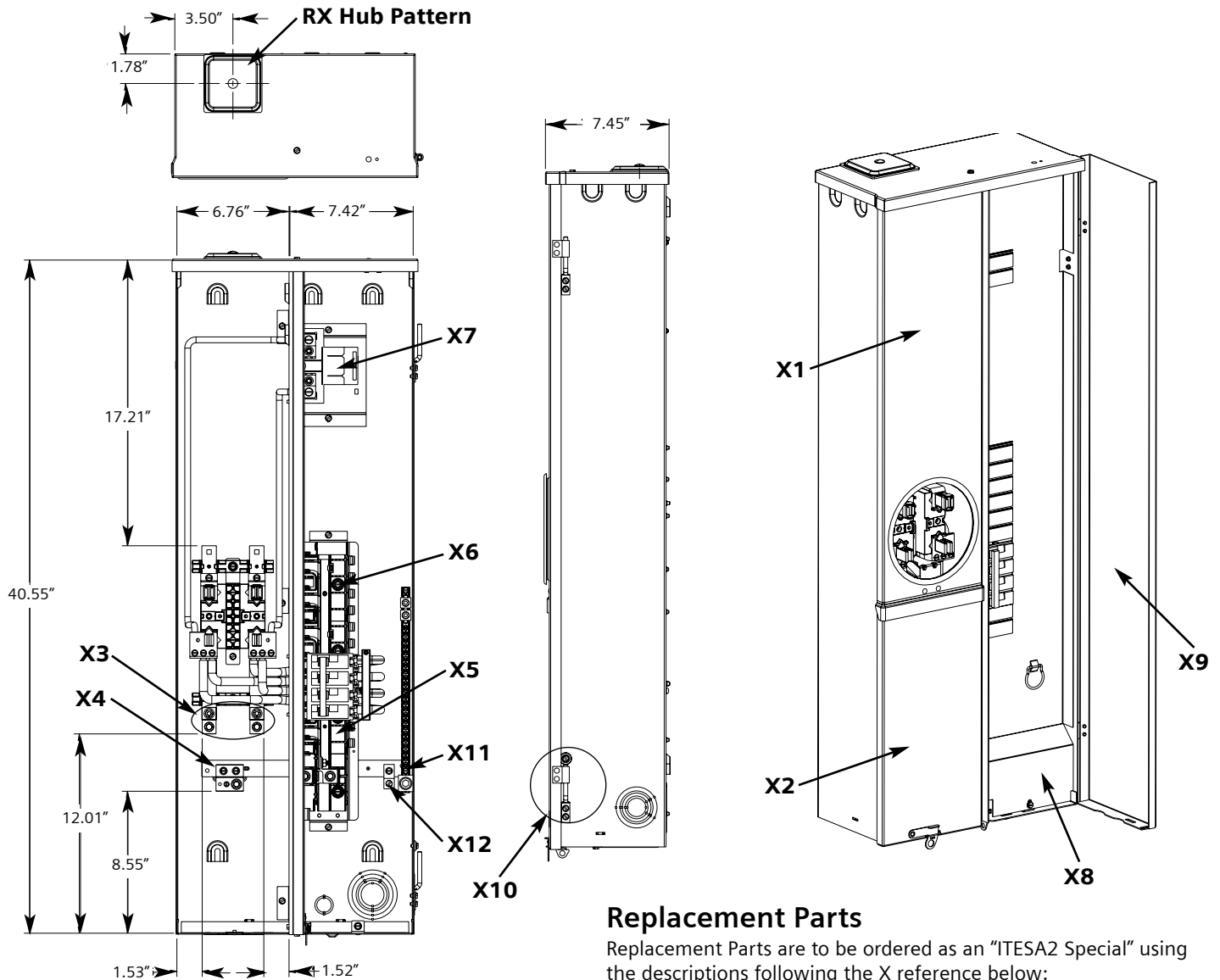
Main Ampere Rating	Catalog Number	No. of Circuits	No. of Spaces
200	MC0816B1200SCTM	8	16

fastfax

SIEMENS

Meter/Load Center Combinations

Dimensions, Knockout Diagrams, Replacement Parts



Knockout Schedule

- A = 1/2"
- B = 1/2", 3/4"
- C = 1/2", 3/4", 1"
- D = 3/4", 1", 1-1/4", 1-1/2", 2"
- E = 1", 1-1/4", 1-1/2", 2", 2-1/2", 3"
- F = 1", 1-1/4", 1-1/2", 2", 2-1/2"
- G = 0.31" diameter Ground Wire K.O.

Replacement Parts

Replacement Parts are to be ordered as an "ITESA2 Special" using the descriptions following the X reference below:

X Reference	Description	Part No.
X1	Meter Cover	5459624
X2	Pull Section Cover and Latch	5459629, MO-11320, 55707-3
X3	Line Phase Lugs	6519900
X4	Utility Neutral Lug	6529980
X5	Main Breaker	EQ9985
X6	Load Center Interior	8019961
X7	50A 2nd Main Interior	1341000150
X8	Deadfront	5329545
X9	Load Center Door	5459632, 1120010, 5819904
X10	Door Hinge Pin	5819903
X11	Neutral Bar	8029141
X12	Load Center Ground Lug	67554