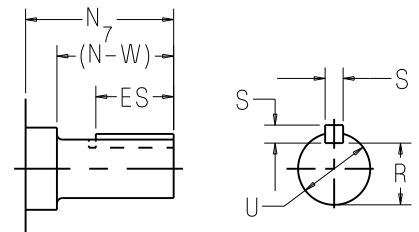
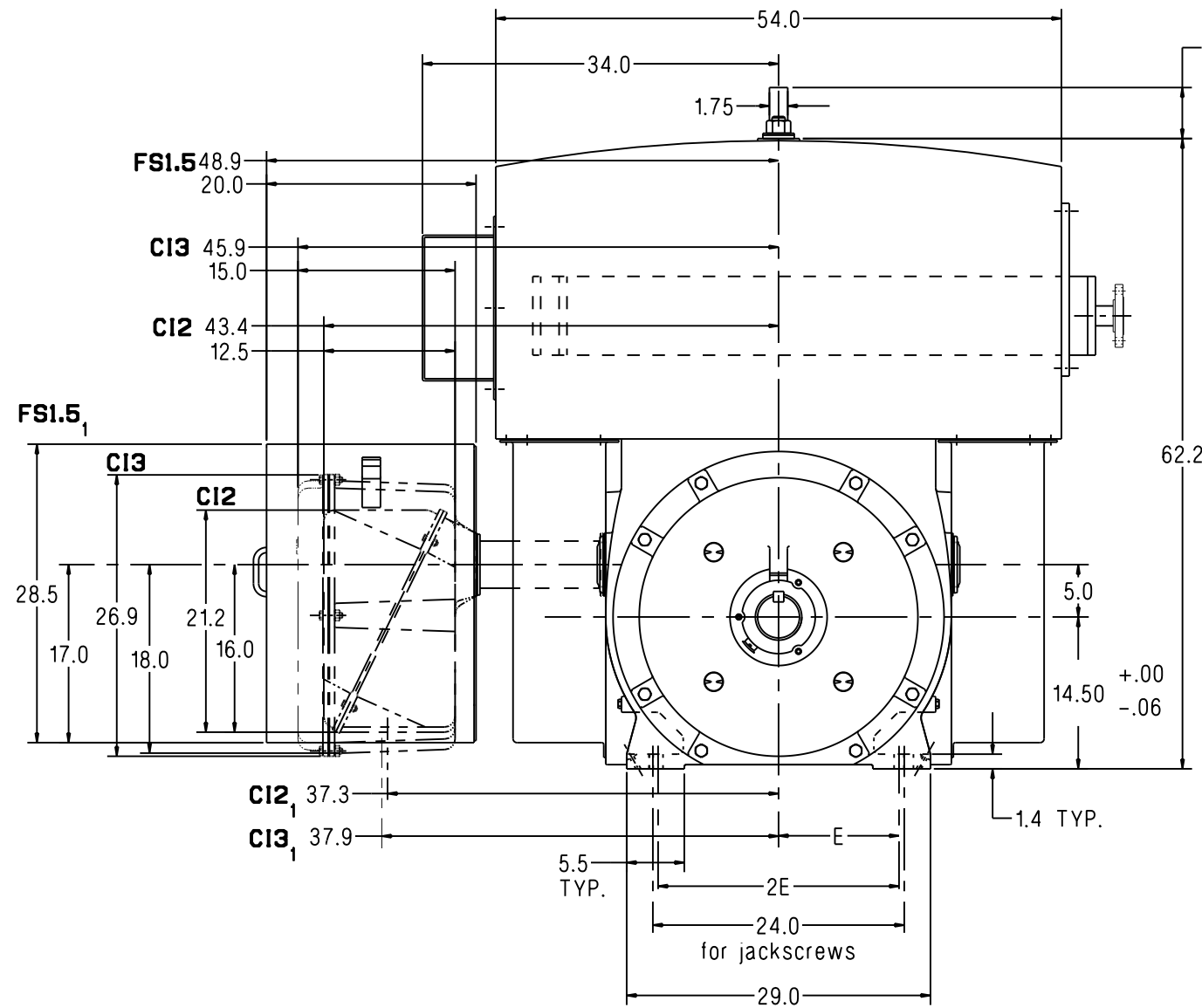


DETAIL "A"



DETAIL "A"

- Notes:
1. Main conduit box may be rotated in steps of 90° except in the 180° position. A removable bottom plate is supplied on the FS1.5 conduit box. A 5.0 N.P.T. is supplied on the CI2 and CI3 conduit boxes. A 12.0" spacer is supplied on the 5812 frame for all rotatable conduit boxes.
 2. C = Length of motor from drive end of shaft to end of non-drive end of motor.
 3. V = (N-W)-0.25" = length of shaft available for coupling.
 4. Machines may rotate in either direction.
 5. Shims may be necessary under motor feet for direct connection.
 6. Short shaft or long shaft is for direct connection.
 7. Adding a rotating labyrinth seal to the drive end decreases N by:
4 Pole & Slower: 0.19" Long Shaft 4 Pole & Slower: 0.19"
 8. Adding a ground brush increases BA and C by:
4 Pole & Slower: 2.50" Long Shaft 4 Pole & Slower: 2.50"
 9. Adding a ground brush with rotating labyrinth seal increases BA and C by:
4 Pole & Slower: 2.75" Long Shaft 4 Pole & Slower: 2.75"
 10. 2 Pole Machin limited to maximum of 1750 HP.

Standard Dimensions in Inches

Shaft	Frame	Speed	B	BA _{8,9}	C _{2,8,9}	E	2F	N ₇	(N-W)	R	S	U	V ₃	ES	Approx. Ship Wt. (Lbs)
Short ₁₀	5812S	2 Pole	60.0	10.00	72.2	11.5	45.0	7.00	6.75	2.450	0.750	2.875	6.50	5.0	9600
Short	5812S	4 Pole & Slower	60.0	10.00	73.4	11.5	45.0	8.25	8.00	3.436	1.000	4.000	7.75	6.0	9600
Long	5812	4 Pole & Slower	60.0	10.00	80.0	11.5	45.0	14.90	14.62	4.169	1.250	4.875	14.38	13.0	9600

Certification: Customer _____ P.O. _____ S.O. _____ Item _____
 HP _____ RPM _____ Frame _____ PH/HZ/Volts 3/_____/_____
 By _____ Date _____ Terminal Box Size CI2 CI3 FS1.5
 Comments _____
 Not for construction, installation or application purposes unless certified.