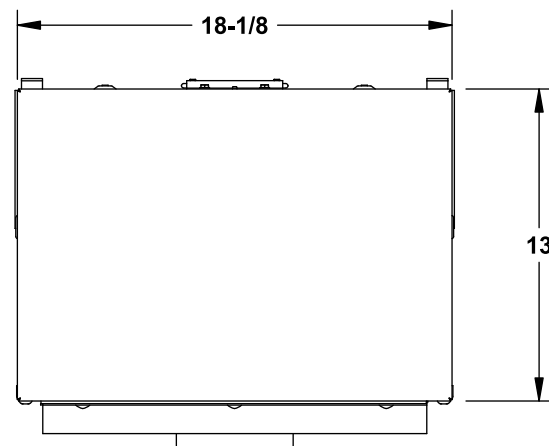


Features

- TYPE 3R OUTDOOR ENCLOSURE
- MAIN BUS RATING: 1200A MAX.
- 120/240 Volts~, 1 Phase, 3 Wire
208Y/120 Volts~, 1 Phase, 3 Wire
(from 3 Phase, 4 Wire network)

Catalog Numbers

Catalog No.	Phase	Amperage Rating, Max.	Maximum Interrupting Rating
WXB1700N	1	700	65,000
WXB1700NU	1	700	100,000
WXB1800N	1	800	65,000
WXB1800NU	1	800	100,000



Accessories

Ground Bar Kit: Catalog No. ECGB10

Terminal	Wire Size	Torque
Equipment	#10 - #14 CU	20 lb-in
Ground Bar	#10 - #12 AL	20 lb-in
	#8 CU/AL	25 lb-in
	#6 - #4 CU/AL	35 lb-in

USE ONLY NON-INTERCHANGEABLE TRIP BREAKER TYPES

Breaker Type	Rating
MXD6	65k AIC
HMXD6	100k AIC

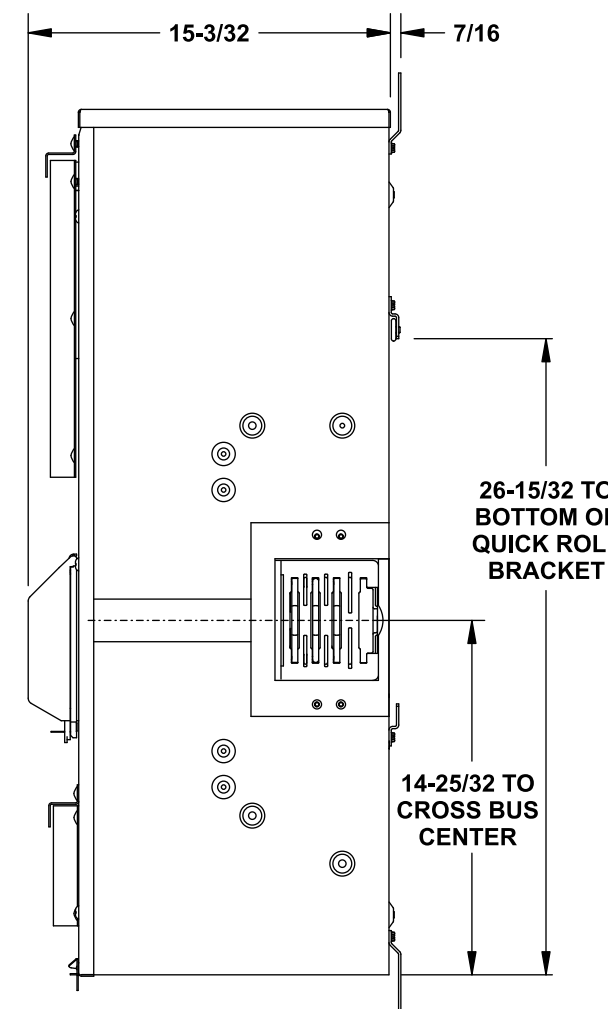
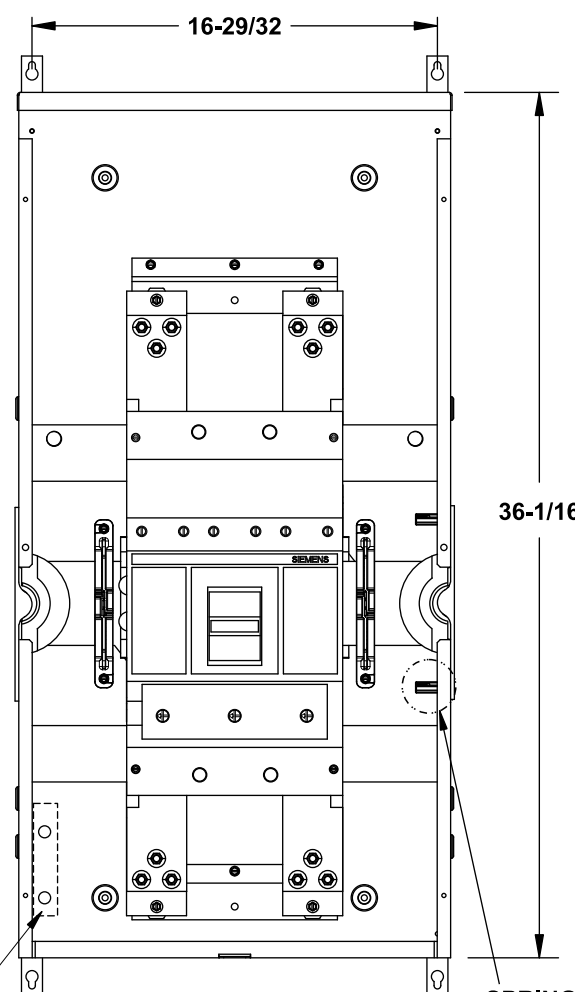
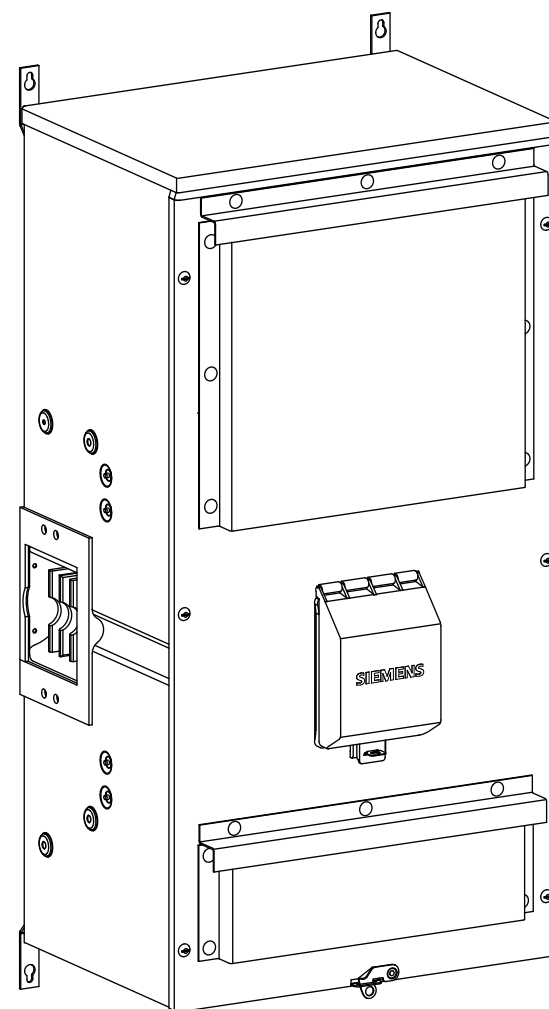
Accessory Description	Catalog No.
Breaker Cover Repl.	ECMMBCM
Cover Screws	ECMFCS
Loose Parts Kit	ECMFPK
Mounting Tabs (2)	ECMFTAB
QuickRoll Wheel Clip	ECMFWLCLIP
End Closure Plate	WMEP
Mounting Clip	MMCLIP
Wall Mounting Rail (60")	MMZR60
Mounting Rail	MMRAIL

Additional Modules

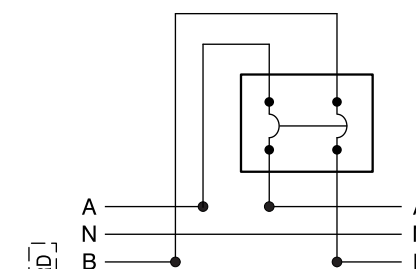
FOR USE WITH:	Siemens Series#	Murray Series#
Main Breakers	(W)MC, WB, WEB	DB_W
Switches	WMP, WMS, WS, WES	DPT_W, DT_W
Tap/Terminal Boxes	WMTB, WTB, WET	DTB_W
Pull Boxes	WMMB, WT_PU	DPB_W
Meter Module	WMM, WxMM, WMT, WML, WMK	DG_W, DC_W, DL_W
Extension Box	WMEX, WSP	DS
Bussed Elbow	BE	DL

Connect Modules Using:	Catalog Number / Torque
QuickConnect	QC1 (1ph) 400-440 lb-in (35-36 ft.-lb.) Torque
Single Bolt Joint	SBJ1 (1ph) 400-480 lb-in (35-40 ft.-lb.) Torque

View Shown with Cover Removed



Schematic

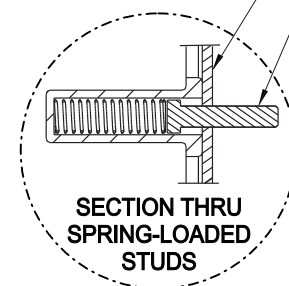


When this module is used as a Service Disconnect, apply "Service Disconnect" label near the breaker handle cover. In all other applications, apply the "Feeder Breaker" label near the breaker handle cover.

GROUND BAR PROVISION

SPRING-LOADED STUDS (SEE DETAIL)

#10-32 x 7/8 SCREWS ENCLOSURE WALL



SECTION THRU SPRING-LOADED STUDS

© 2012 Copyright Siemens Industry, Inc.

SIEMENS
Siemens Industry, Inc.

PowerMod™ Cross Bus Main

Catalog Numbers:
1 Phase, 700-800A, 65k-100kAIC Modules

Size B Dwg. No. **WXB1700N-WXB1800NU**

Dwn KAM Date 11/2/12 DO NOT SCALE DRAWING SHEET 1 OF 1