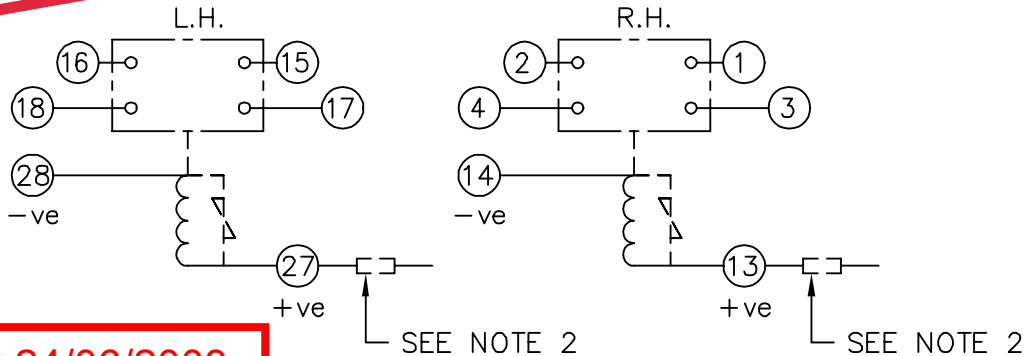


LOOKING ON FRONT OF RELAY

NOT SUBJECT TO UPDATE  
ONCE COPIED / PRINTED  
OR DOWNLOADED



PRINTED ON 24/06/2003  
ENSURE CORRECT REVISION  
DESTROY AFTER USE

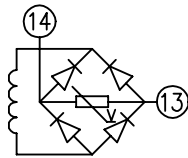
- NOTE:
1. HEAVY DUTY CONTACTS ARE FITTED WITH BLOWOUT MAGNETS AND ARE POLARITY CONSCIOUS. SEE TABLE FOR +VE TERMINAL.
  2. 125V VERSION HAS EXTERNAL RESISTOR FITTED.

**KEY**

- make contact
- break contact
- c/o contact
- ext. conn
- plug bridge - shorting
- metering point
- 5Kv barrier
- test socket - shorting
- plug & socket

CONTACT CONFIG.	OUTPUT CONTACT PAIR / TERMINAL No.						
	R.H. →	1-3	2-4	5-7	6-8	9-11	10-12
L.H. →	15-17	16-18	19-21	20-22	23-25	24-26	
2M	M	M					
1M 1B	M	B					
2B	B	B					
2M(HD)	M+	M+					
1M 1B(HD)	M	+B					
1M(HD) 1B	M+	B					
1M(HD) 1B(HD)	M+	+B					
2B(HD)	+B	+B					
1M(HD) 1M	M+	M					
1B 1B(HD)	B	+B					

NOTE: WHEN RECTIFIER IS SPECIFIED COIL CONNS. ARE AS SHOWN.



FRAME REFERENCE: E4FE02.

FRAME TERMINAL BLOCK ASSY: -

ASSEMBLY INSTRUCTIONS: -  
TYPICAL ASSEMBLY DRAWING 2995G10032.  
AT INDICATED POSITIONS FIT AS FOLLOWS:  
T - FIT TRIP ISOLATION CONTACT 2995B10053  
S - FIT STANDARD CONTACT 2995B10054  
SECURE CONTACTS USING FIXING SCREW 2109F99009.  
POSITIONS SHOWN BLANK ARE UNUSED

2	T	T	1
4	T	T	3
6			5
8			7
10			9
12			11
14	S	S	13
16	T	T	15
18	T	T	17
20			19
22			21
24			23
26			25
28	S	S	27

VIEW FROM NUMBERED SIDE OF BLOCK

OUTER TERMINAL BLOCK ASSY: -

ASSEMBLY INSTRUCTIONS: -  
TYPICAL ASSEMBLY DRAWING 2995G10029.  
AT INDICATED POSITIONS FIT AS FOLLOWS:  
S - FIT STANDARD CONTACT 2995B10051  
HC - FIT 'HEAVY CURRENT' KIT 2995G10030  
WHERE IS SHOWN FIT CT SHORTING  
KIT 2995G10031  
POSITIONS SHOWN BLANK ARE UNUSED.  
ALL POSITIONS FIT SCREW 2106F12506.

2	S	S	1
4	S	S	3
6			5
8			7
10			9
12			11
14	S	S	13
16	S	S	15
18	S	S	17
20			19
22			21
24			23
26			25
28	S	S	27

VIEW FROM INSIDE FACE

1	28/04/99	MOD.No.	Title: T.B. AND W.D. FOR XR205 2 CONTACT RELAYS IN EPSILON E4 CASE.		First used on:
			<div style="display: flex; justify-content: space-between;"> <span style="font-size: 1.2em; font-weight: bold;">Reyrolle Protection Hebburn.</span> <span style="border: 1px solid black; padding: 2px;">Original Scale.</span> </div>		Similar Articles:
		Supersedes:			
ISSUE		DATE			Drg.No.
		DRAWN: A.LAW.	CHECKED:	APPROVED: R.D.WATSON	2112W50096
		DATE: 17/07/02	Copyright © 1999 Reyrolle Ltd.		