

# General Duty Safety Switch

## Type VBII, 60 Amp, 240 Volts, Type 1 (Indoor)

### Standards and Ratings

- UL Listed under file #E4776
- Meets UL98 for switches and UL 50 for enclosures
- Meets NEMA Standard KS-1 for enclosed switches
- Meets NEC wire bending space requirements
- Rated 10,000 AIC with Class H fuses or 100,000 AIC with Class R fuses
- Suitable for use as service entrance equipment

### Features

- Quick-make and break switching action
- Double break visible blade design
- Highly visible ON/OFF indication
- Rugged installer friendly enclosure design
- Modular design allows quick and easy replacement of parts
- Single cover interlock

### General Information

Catalog Number	Description	Shipping Weight (lbs.)
GF222N <sup>1</sup>	2 Pole, 3 Wire, Fusible	14
GF322N	3 Pole, 4 Wire, Fusible	15

### Horsepower Ratings <sup>2</sup>

Catalog Number	1 Phase, 3 Wire, 240V AC		3 Phase, 3 Wire, 240V AC		250V DC
	Std	Max	Std	Max	
GF222N	3	10	7½	15	10
GF322N	3	10	7½	15	10

### Accessories

Catalog Number	Description
HG61234	Equipment Ground Lug Kit
HN612	Neutral Kit
HR612	Class R Fuse Clip Kit (3 fuse clips per kit)

### Replacement Parts

Catalog Number	Description
HFB612	Fusible Line Side Replacement Base
HBB612	Fusible Load Side Replacement Base
GH223	Replacement Handle/Handle Guard
HM6123	Replacement Mechanism
HL612	Replacement Lugs (3 lugs per kit)

### Mechanical Lug Wire Ranges (60/75°C, Cu/Al)

Description	Wire Range
Line, Load	#12-3 AWG (Al)
Neutral	or
	#14-3 AWG (Cu)
Ground	#14-4 AWG

<sup>1</sup> These switches are UL Listed for application on grounded B phase systems.

<sup>2</sup> Dual horsepower ratings: Std - applies when non-time delay fuses are installed.  
Max - applies when time-delay fuses are installed.

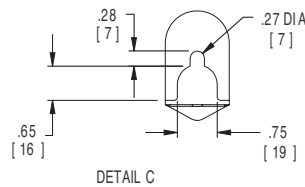
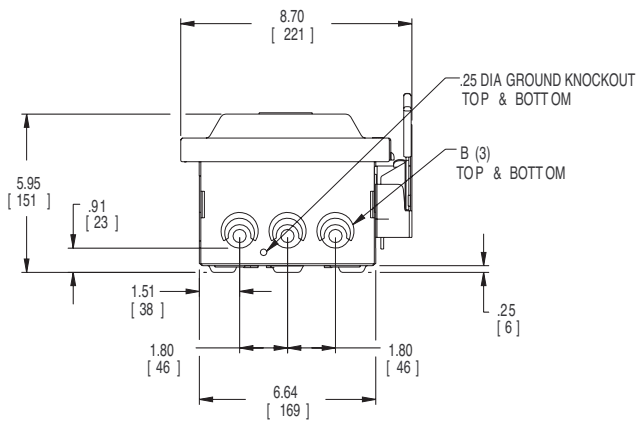
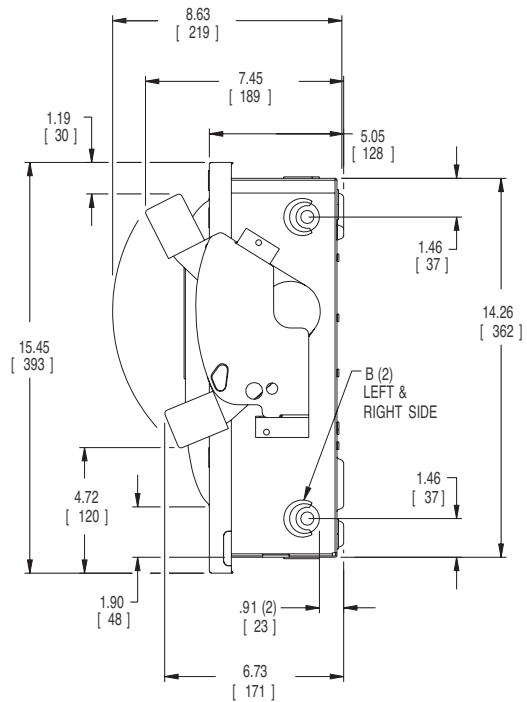
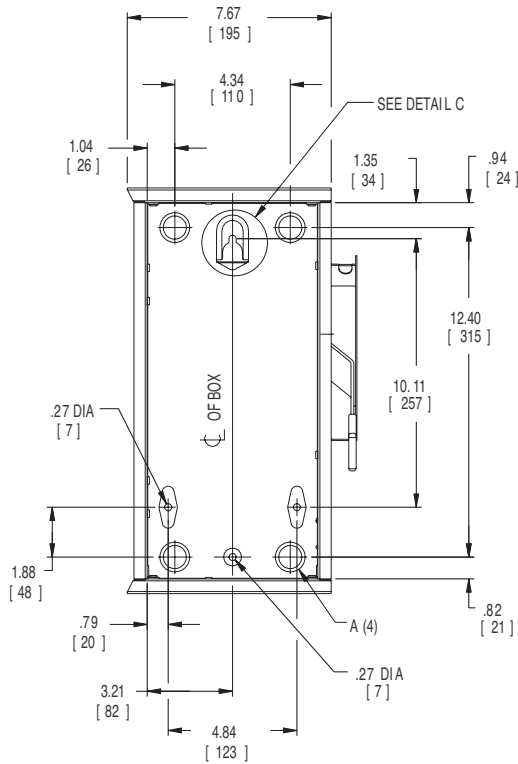
## Product Specification Sheet GD60.1

Answers for industry.

**SIEMENS**

# Product Specification Sheet #GD60.1 (page 2 of 2)

## Dimension Drawing



Dimensions shown in inches and millimeters ( ).  
Dimension shown accurate to  $\pm \frac{1}{8}$  inch.

KNOCKOUT CODE	CONDUIT SIZE	
A (Concentric)	.75	1.00
B (Tangential)	.50	.75 1.00

	LINE SIDE WIRE BEND	LOAD SIDE WIRE BEND
Fused	3.02 (77)	4.61 (117)

Enclosure: Cold Rolled Steel  
.054 Thick (17 Gauge)  
Finish: ANSI Grey #61 Paint