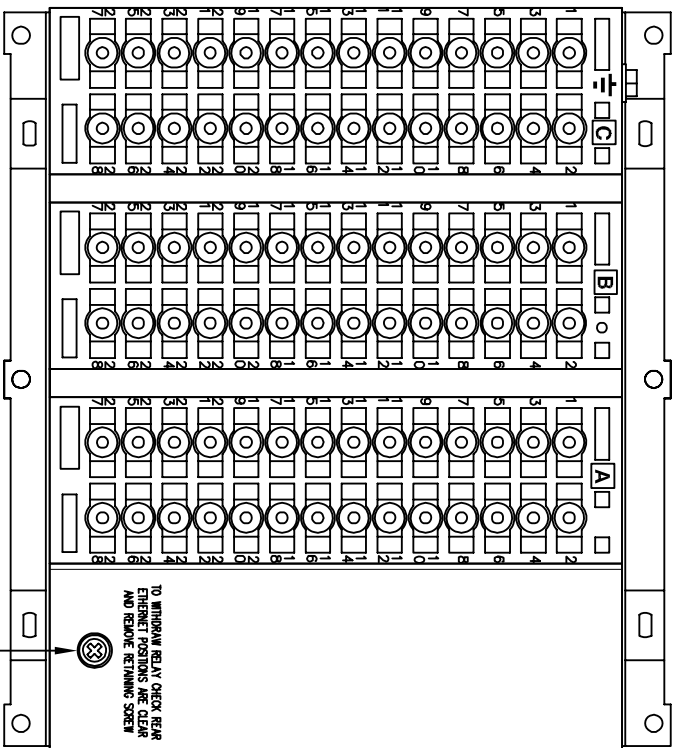
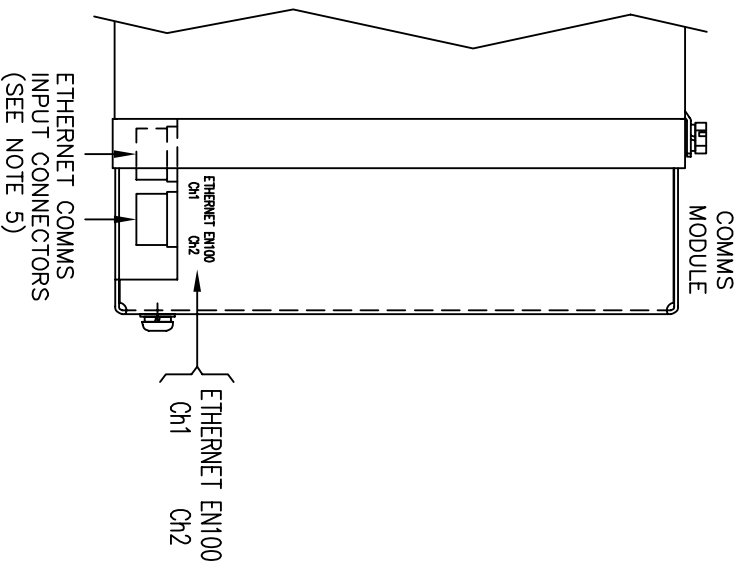


1 IF IN DOUBT ASK  
2 DO NOT SCALE



RELAY VIEWED FROM REAR

TO WITHDRAW RELAY CHECK REAR ETHERNET POSITIONS ARE CLEAR AND REMOVE RETAINING SCREW



PART SIDE VIEW ON ARROW 'A'

- NOTES
- 1) TERMINALS RECOMMENDED ARE PRE-INSULATED & MUST BE CRIMPED USING APPROVED TOOLING. AMP PIDG OR PLASTI GRIP FUNNEL ENTRY (RING TONGUE) FOR M4 FIXING STUD.
  - 2) FOR OUTLINE & PANEL DRILLING, SEE 2995X10020 (A4).
  - 3) CONNECTIONS TO THIS COMMUNICATIONS FACILITY IS BY SCREENED, TWISTED PAIR CABLE, ON SITE WHEN WIRING OTHER FACILITIES ENSURE THAT THESE TERMINALS ARE NOT OBSCURED BY OTHER WIRE RUNS.
  - 4) CONTACTS SHOWN THUS ARE INTERNAL RELAY CASE ASSEMBLY AND CLOSE WHEN THE RELAY CHASSIS IS WITHDRAWN FROM THE CASE.
  - 5) THE ETHERNET PORTS CAN BE EITHER - FIBRE OPTIC(x2) OR ELECTRICAL(x2)

SUPPLIER	PART NUMBER	CABLE SIZE
AMP	342103	0.25-1.6mm <sup>2</sup>
AMP	342143	1.0-2.6mm <sup>2</sup>

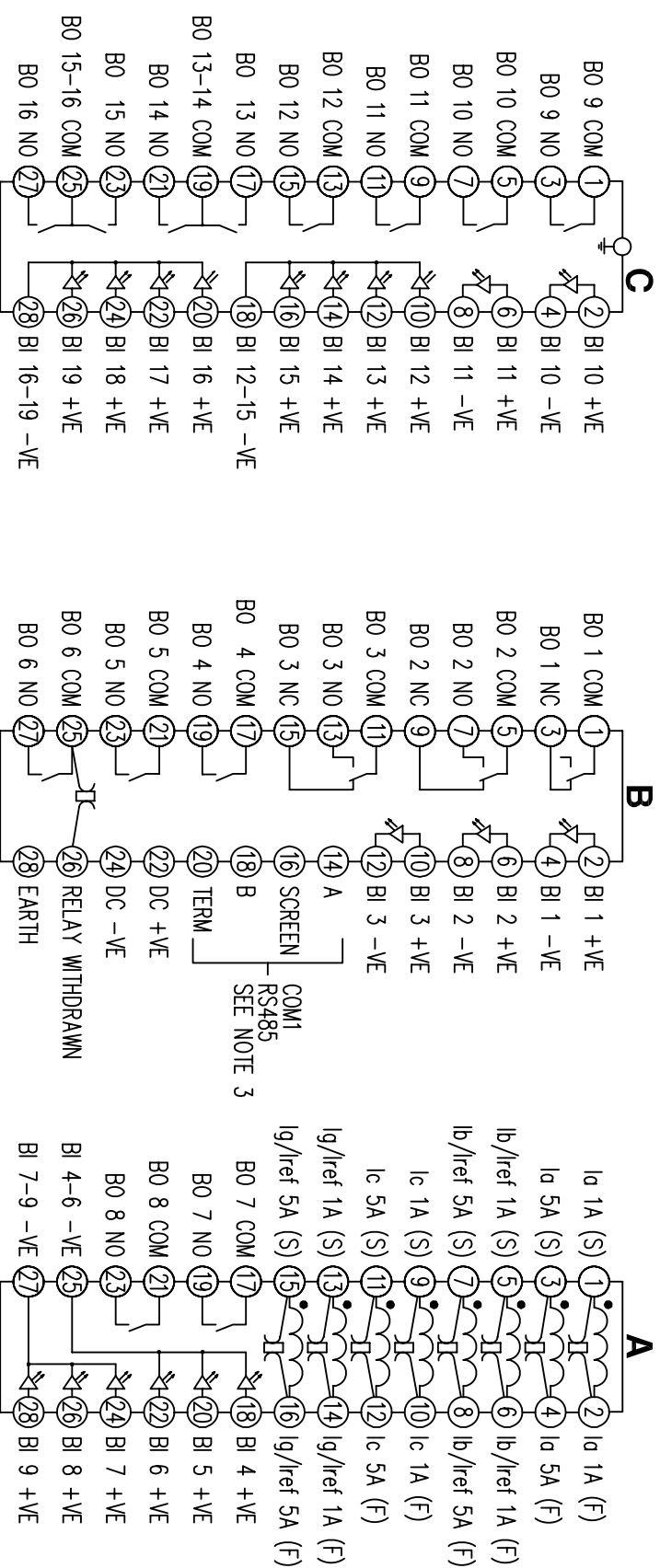
**NOT SUBJECT TO UPDATE  
ONCE COPIED / PRINTED  
OR DOWNLOADED**

ABBREVIATIONS

I-CURRENT INPUTS
BI-BINARY INPUTS
BO-BINARY OUTPUTS
GO-CHANGE OVER BINARY OUTPUT CONTACTS
NO-NORMALLY OPEN BINARY OUTPUT CONTACTS
NC-NORMALLY CLOSED BINARY OUTPUT CONTACTS

COMMUNICATIONS IDENTIFICATION

COM1	RS485 (ON BLOCK 'B' TERMINALS 14,16,18 & 20)
COM2	USB TYPE'B' PORT (ON RELAY FRONT LABEL)
COM3	ETHERNET(x2) PORTS (ON REAR COMMS MODULE)



Copyright © 2012 Siemens Protection Devices Ltd. Hebburn

ISSUE	DATE	CHANGE NOTED
1	26/01/12	
2	RDW 30/7/13	RETAINING SCREW POSITION CHANGED. (M4x5)/3650, 3JH770, KB

**IF IN DOUBT ASK  
Printed on  
27/04/2020  
DATE**

MATERIAL:

Dimensions in millimetres : Surface texture in micrometres.  
Machine where marked  $\nabla$

For explanation of dimensions, tolerances, notes etc. see B.S.308.

Limit on untoleranced unmachined dimensions  $\pm$

Limits on untoleranced machined dimensions to B.S.4500:

i.e. up to 6 $\pm$ 0.1; over 30 to 120 $\pm$ 0.3; over 315 $\pm$ 0.8;  
over 6 to 30 $\pm$ 0.2; over 120 to 315 $\pm$ 0.5;  
General unmachined angular tolerance  $\pm$

Finish:  
Treatment:

Title:  
TERMINAL ID & WIRING DIAGRAM FOR 7SR23(DAD)  
4I,19BI,2C0,13NO,1NC, RS485, ETHERNET(x2) COMMS

**SIEMENS PROTECTION DEVICES LTD.**

Original Scale.

NTS

Drg. No.

2414W40010

DRAWN K.B.

CHECKED RD.WATSON

APPROVED RD.WATSON

DATE 15/02/2012

IE

OPS

PCP

Purch. Spec. TQ

EAC

CE

STD

AS