

TALON

Rainproof Combination Metering

Catalog Number

MC2440B1200CEY

Enclosure

Type 3R**WARNING: CIRCUIT MAY BE LIVE WITH METER REMOVED.**

DEVICE RATING: 200 AMPS MAXIMUM
 120/240 V~, 1 PHASE, 3 WIRE
 208Y/120 V~, 1 PHASE, 3 WIRE, WHEN 5th JAW IS INSTALLED.
 (DERIVED FROM 3 PHASE - 4 WIRE SYSTEM)

METER SOCKET RATING: 200 AMPS CONTINUOUS.

FOR INSTALLATION BY A QUALIFIED PERSON IN ACCORDANCE WITH ALL LOCAL ELECTRICAL CODES AND/OR THE NATIONAL ELECTRICAL CODE.®

SUITABLE ONLY FOR USE AS SERVICE EQUIPMENT.

FOR OVERHEAD AND UNDERGROUND SERVICE.

THIS DEVICE HAS A MAXIMUM SHORT CIRCUIT CURRENT RATING OF 22,000 AMPS RMS SYMMETRICAL AT 240 V~ MAXIMUM. (WATT-HOUR METER NOT INCLUDED IN SHORT CIRCUIT CURRENT RATING). THE ACTUAL RATING IS DEPENDENT ON THE BREAKERS INSTALLED IN THIS PANELBOARD. THE CORRECT BRANCH BREAKER AND MAIN BREAKER SERIES COMBINATIONS TO BE USED ARE LISTED IN THE TABULATION BELOW. ANY CIRCUIT BREAKER INSTALLED OR REPLACED IN THIS PANELBOARD MUST BE MANUFACTURED BY SIEMENS AND MUST BE OF THE CORRECT TYPE AS INDICATED IN THE TABULATION BELOW.

MAX SHORT CIRCUIT CURRENT RATING IN RMS SYMMETRICAL AMPERES	WHEN THE INSTALLED MAIN BREAKER TYPE IS:	AND THE FIELD INSTALLED BRANCH CIRCUIT BREAKER TYPES ARE:
22,000	Murray Type MD-HTR	Murray MP-T, MP-HT, MP-MT, MH-T, MP-GT, MP-HGT, MP-ET, MP-HET, MP-AT, MP-HAT, MD-HTR, MD-MTR
	Siemens Type QNRH	Siemens QP, QPH, HQP, QT, QPF, QPHF, QE, QEH, QAF, QAFH, QNRH, HQNR
10,000	Murray Type MD-TR	Murray MP-T, MP-HT, MP-MT, MH-T, MP-GT, MP-HGT, MP-ET, MP-HET, MP-AT, MP-HAT, MD-TR, MD-HTR, MD-MTR Talon LQ
	Siemens Type QNR	Siemens QP, QPH, HQP, QT, QPF, QPHF, QE, QEH, QAF, QAFH, QNR, QNRH, HQNR or Talon LQ

FOR BREAKERS WITH TRIPPED POSITION IN CENTER, RESET BREAKER BY MOVING HANDLE TO "OFF" AND THEN TO "ON".

WARNING: THIS EQUIPMENT HAS BEEN DESIGNED FOR USE ONLY WITH CIRCUIT BREAKERS LISTED ABOVE. USE OF OTHER CIRCUIT BREAKERS IN THIS EQUIPMENT COULD RESULT IN PERSONAL INJURY OR PROPERTY DAMAGE AND WILL VOID THE WARRANTY.

IMPORTANT: DO NOT ALLOW PETROLEUM BASED (HYDROCARBON) SPRAYS, CHEMICALS, SOLVENTS OR ANY PAINT TO CONTACT INTERIOR COMPONENTS. PETROLEUM BASED CHEMICALS CAN CAUSE DEGRADATION OF ELECTRICAL INSULATING MATERIALS.

Siemens Industry, Inc. Norcross, Georgia U.S.A. **D** 40900577 0101 Rev.A

® The National Electrical Code is a registered trademark of the National Fire Protection Association.
 © 2012 Copyright Siemens Industry, Inc.

TALON

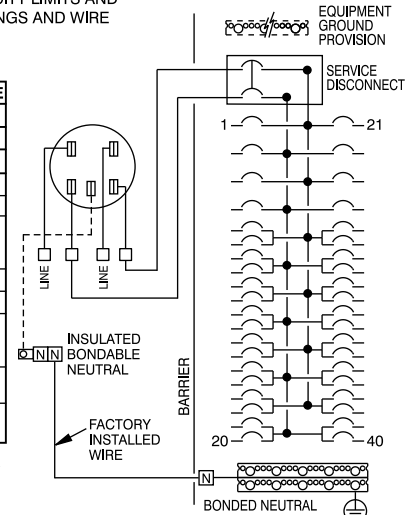
Rainproof Combination Metering

TERMINALS SUITABLE FOR USE WITH 60/75°C, AL/CU INSULATED WIRE.

SIZE WIRE ONLY TO 60°C OR 75°C AMPACITY LIMITS AND IN ACCORDANCE WITH BREAKER MARKINGS AND WIRE BENDING SPACE REQUIREMENTS.

TERMINAL	WIRE SIZE	TORQUE
LINE / LOAD	250 kcmil-#2/0 AWG	250 lb-in
N	300 kcmil-#2/0 AWG	250 lb-in
NEUTRAL and EQPT GROUND BARS		
SMALL TERMINALS	#6 AWG	35 lb-in
	#8 AWG	25 lb-in
	#10-#14 AWG *(2) #12-14 CU *(2) #12 AL	20 lb-in
	1/0-#6 AWG	45 lb-in
LARGE TERMINALS	#8 AWG	40 lb-in
	#10-#14 AWG *(2 or 3) #10-14 CU *(2 or 3) #10-12 AL	35 lb-in
	Test Block Contact Nut (5/8" across flats)	50 lb-in

See breaker markings for wire size and torque requirements



UNUSED NEUTRAL BAR TERMINALS MAY BE USED AS EQUIPMENT GROUNDING WIRE TERMINALS.

*APPLIES TO EQUIPMENT GROUND CONDUCTORS ONLY.

ACCESSORIES

1" FILLER PLATE: ECQF3
 MD/QN FILLER PLATE: LX400FP
 EQUIP GND BARS: ECLX SERIES
 5TH JAW: UX005B

HC TYPE HUBS	
TRADE SIZE	CAT. NO.
2 INCH	ECHC200
2-1/2 INCH	ECHC250
3 INCH	ECHC300

RX TYPE HUBS USE WITH HCRXA ADAPTER	
TRADE SIZE	CAT. NO.
1-1/2 INCH	EC38598
2 INCH	EC38599
2-1/2 INCH	EC38600

Siemens Industry, Inc. Norcross, Georgia U.S.A. **D** 40900577 0201 Rev.A

© 2012 Copyright Siemens Industry, Inc.