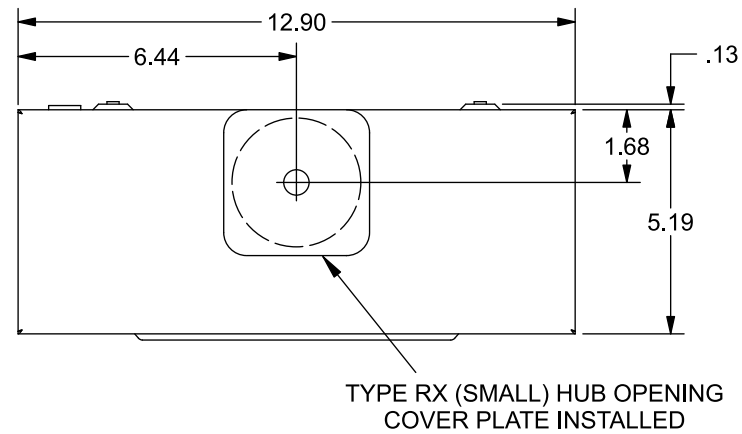


Catalog Number: 42504-0250

Features and Ratings

- Ringless Type Meter Socket
- 200A Continuous, 600V AC
- Outdoor Enclosure (NEMA Type 3R)
- Painted G90 Steel Enclosure
- 1 Phase, 3 Wire
- Lever Bypass Meter Socket Type HQ4SU
- For Overhead or Underground Service
- Small Hub Opening, RX Type Cover Plate Installed



Accessories

CONDUIT HUBS (RX Type)	
TRADE SIZE	CATALOG No.
1-1/4 INCH	EC38597 or H38597-2
1-1/2 INCH	EC38598 or H38598-2
2 INCH	EC38599 or H38599-2
2-1/2 INCH	EC38600 or H38600-2
Hub Cover Plate	EC38595 or H38595-1

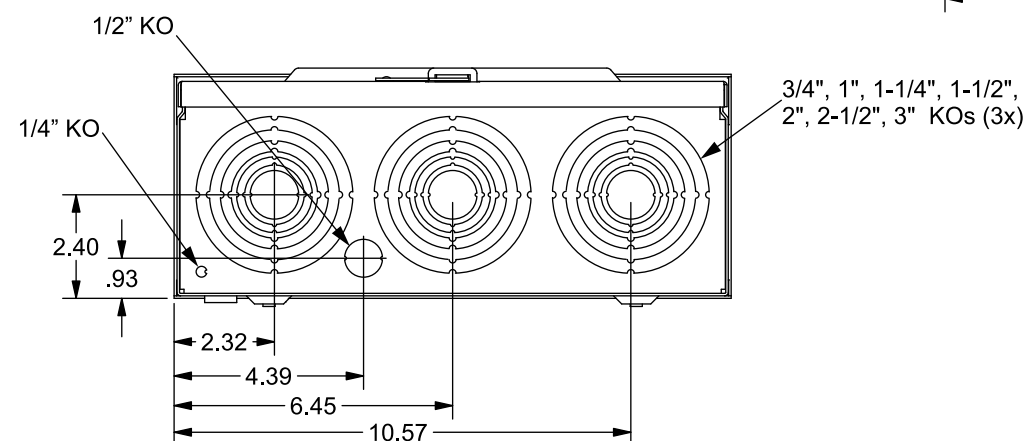
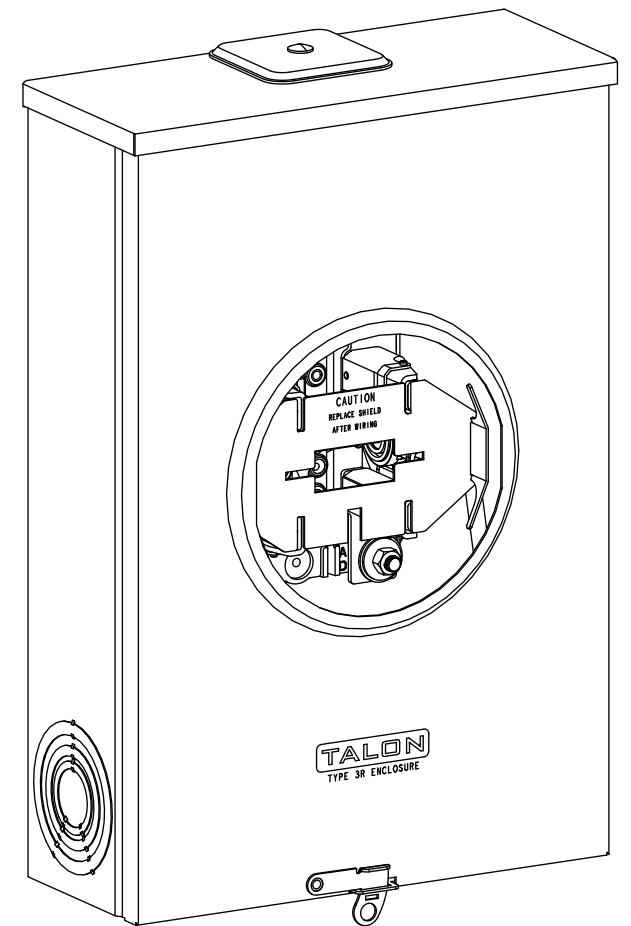
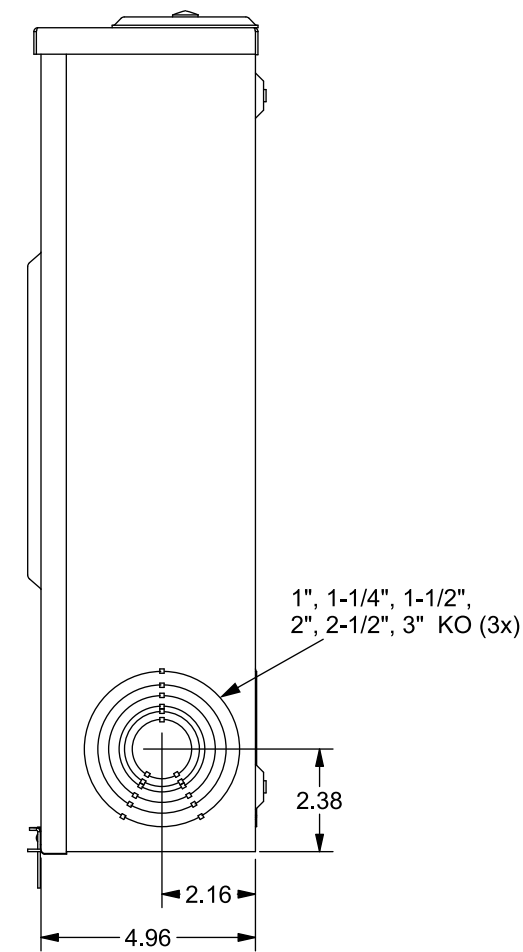
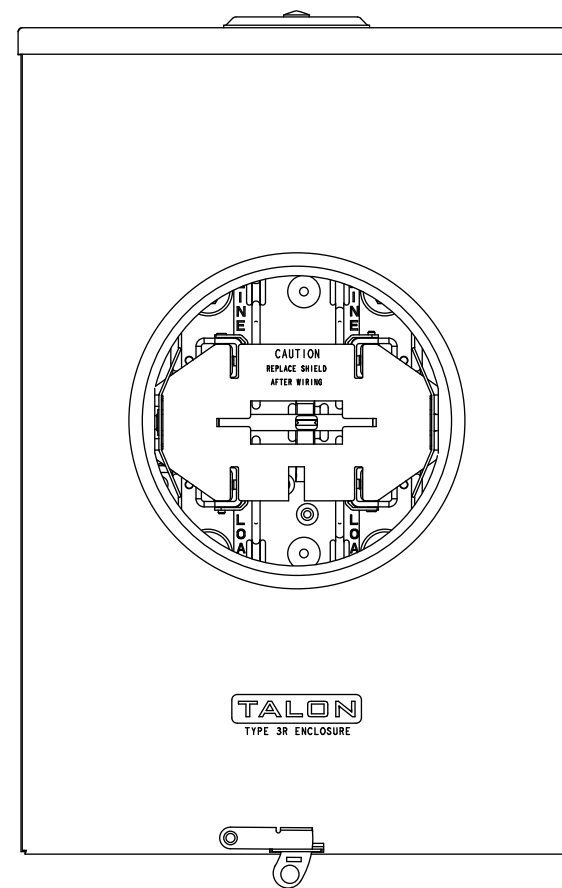
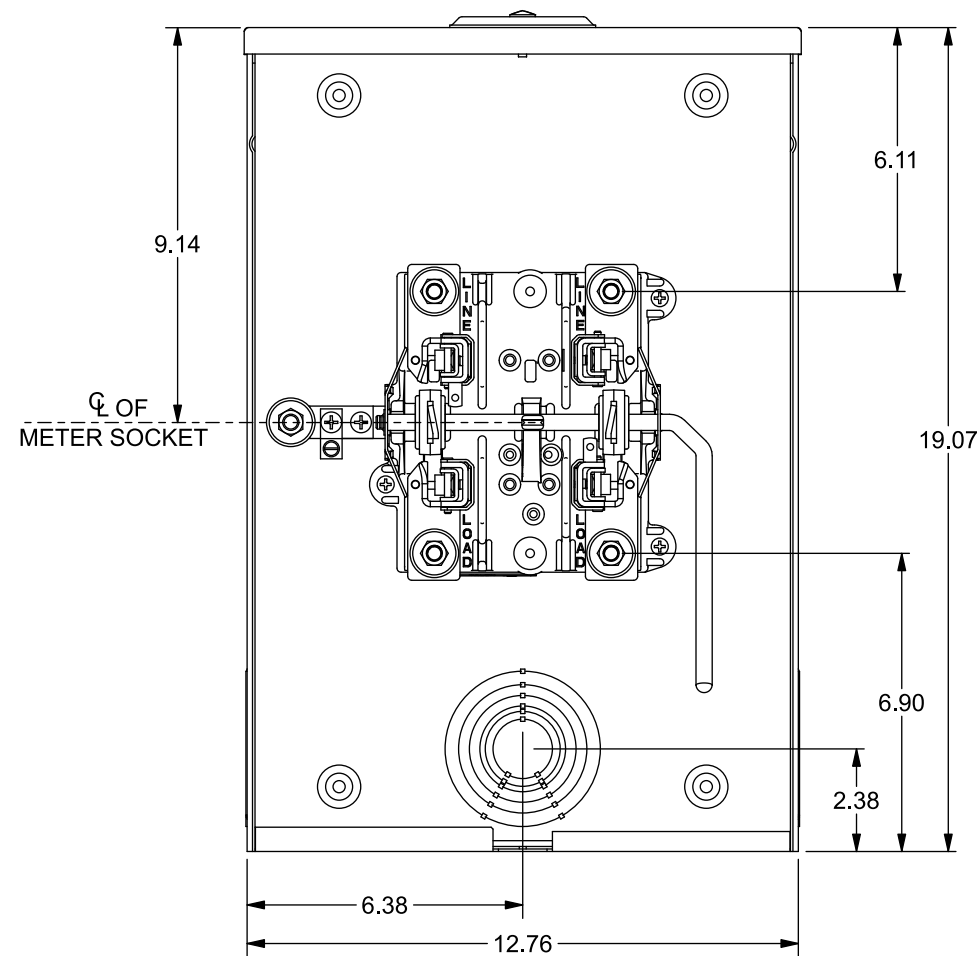
Meter Opening Cover Plate
Cat No: H659-0162

Connectors, Wire Sizes and Torques

CONNECTOR	PART No.	WIRE SIZE	TORQUE
LINE, LOAD, NEUTRAL*	55890-1	#6 - 350 kcmil	275 IN.-LBS.
GROUND	6509991	#2 - 14 AWG	40 IN.-LBS.

* External Hex Drive 1/2"
* Internal Hex Drive 5/16"

VIEW SHOWN WITH COVER AND SHIELD REMOVED



© 2018 Copyright Siemens Industry, Inc.

TALON

Meter Socket

Description: **200A Cont, 4 Jaw, HQ4SU, 600V AC, Painted Steel Enclosure**

KAM 10/16/18 | DO NOT SCALE DRAWING | Dwg No: **42504-0250**