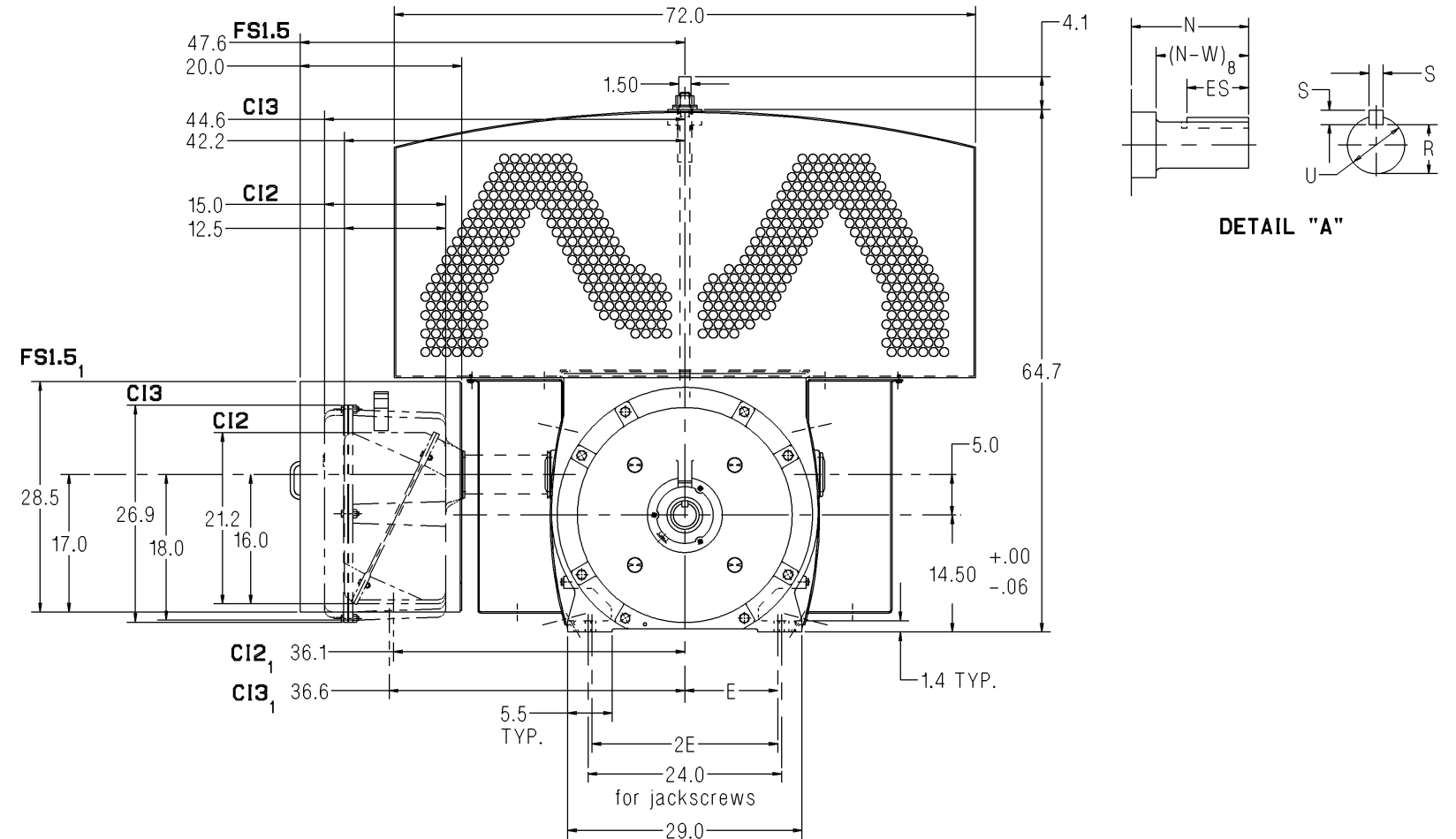
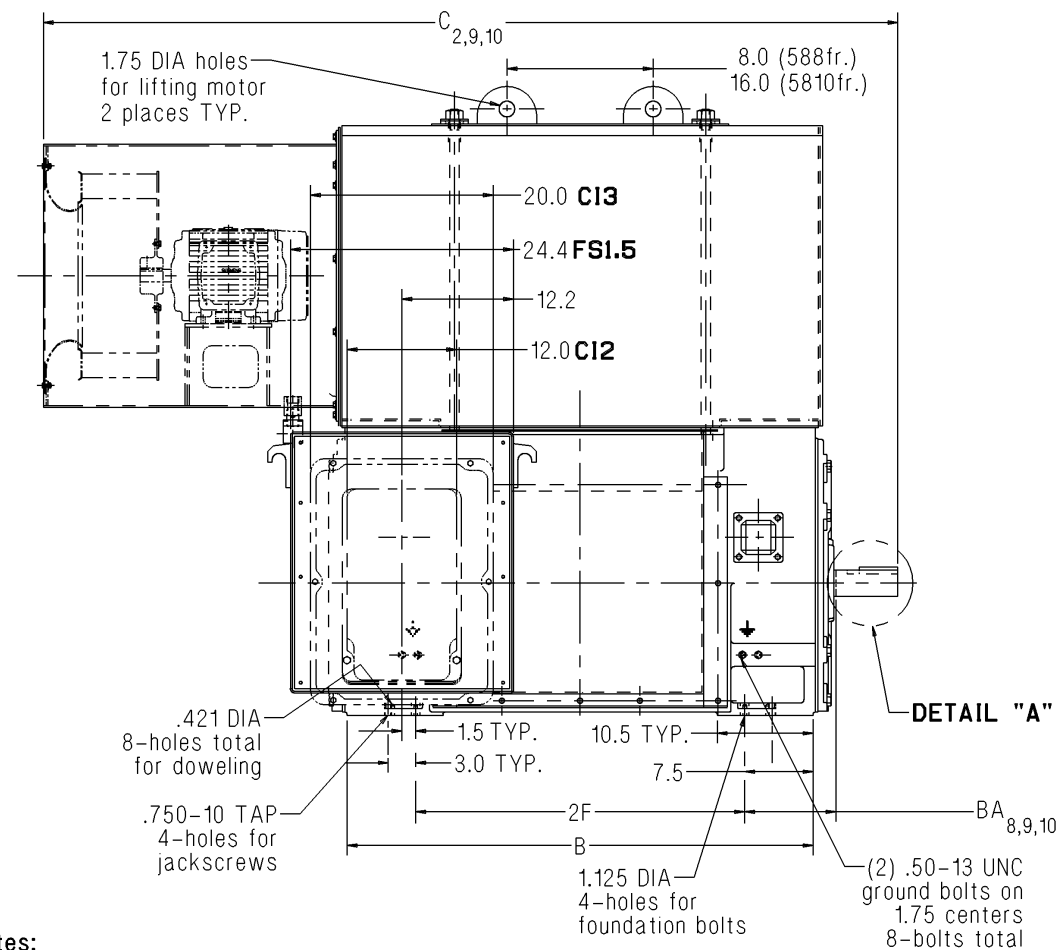


# SIEMENS

## Type CAZB – Horizontal – TEAAC with Auxiliary Blower Anti-Friction Bearing Frames 588 / 5810 – Rotatable Main Conduit Box

### Dimension Prints for Above NEMA Motors



#### Notes:

- Main conduit box may be rotated in steps of 90° except in the 180° position. A removable bottom plate is supplied on the FS1.5 conduit box. A 5.0 N.P.T. is supplied on the CI2 and CI3 conduit boxes. A 10.75" spacer is supplied on both frames for all rotatable conduit boxes.
- C = Length of motor from drive end of shaft to end of auxiliary blower.
- V = (N-W)-0.25" = length of shaft available for coupling. Note: When adding a rotating labyrinth seal, (N-W) will change so V will change accordingly.
- 2 Pole machines rotate in one direction only.
- Shims may be necessary under motor feet for direct connection.
- Approximate ship weight is based on standard aluminum cooling tubes.
- Short shaft is for direct connection. Long shaft may be either belt drive or direct connection depending upon the bearing installed in the motor.
- Adding a rotating labyrinth seal to the drive end increases BA and decreases (N-W) by:  
2 Pole: 0.28" 4 Pole & Slower: 0.28" Long Shaft 4 Pole & Slower: 0.28"
- Adding a ground brush increases BA and C by:  
2 Pole: 2.50" 4 Pole & Slower: 2.50" Long Shaft 4 Pole & Slower: 2.50"
- Adding a ground brush with rotating labyrinth seal increases BA and C by:  
2 Pole: 2.75" 4 Pole & Slower: 2.75" Long Shaft 4 Pole & Slower: 2.75"

#### Standard Dimensions in Inches

Shaft	Frame	Speed	B	BA <sub>8,9,10</sub>	C <sub>2,9,10</sub>	E	2F	N	(N-W) <sub>B</sub>	R	S	U	V <sub>3</sub>	ES	Approx. Ship Wt. (Lbs) <sub>6</sub>
Short	588S	2 Pole	43.0	10.00	85.5	11.50	28.0	7.00	6.75	2.450	0.750	2.875	6.50	5.0	7100
Short	588S	4 Pole & Slower	43.0	10.00	86.75	11.50	28.0	8.25	8.00	3.436	1.000	4.000	7.75	6.0	7300
Short	5810S	2 Pole	51.0	10.00	93.5	11.50	36.0	7.00	6.75	2.450	0.750	2.875	6.50	5.0	8500
Short	5810S	4 Pole & Slower	51.0	10.00	94.75	11.50	36.0	8.25	8.00	3.436	1.000	4.000	7.75	6.0	8700
Long	588	4 Pole & Slower	43.0	10.00	93.4	11.50	28.0	14.90	14.62	4.169	1.250	4.875	14.38	13.0	7300
Long	5810	4 Pole & Slower	51.0	10.00	101.4	11.50	36.0	14.90	14.62	4.169	1.250	4.875	14.38	13.0	8700

Certification: Customer \_\_\_\_\_ P.O. \_\_\_\_\_ S.O. \_\_\_\_\_ Item \_\_\_\_\_  
 HP \_\_\_\_\_ RPM \_\_\_\_\_ Frame \_\_\_\_\_ PH/HZ/Volts 3/\_\_\_\_\_/\_\_\_\_\_  
 By \_\_\_\_\_ Date \_\_\_\_\_ Terminal Box Size CI2  CI3  FS1.5   
 Comments \_\_\_\_\_  
 Not for construction, installation or application purposes unless certified.

CAZB\_580\_2plusPL\_AF\_ROT  
 Revision 01  
 01/27/09