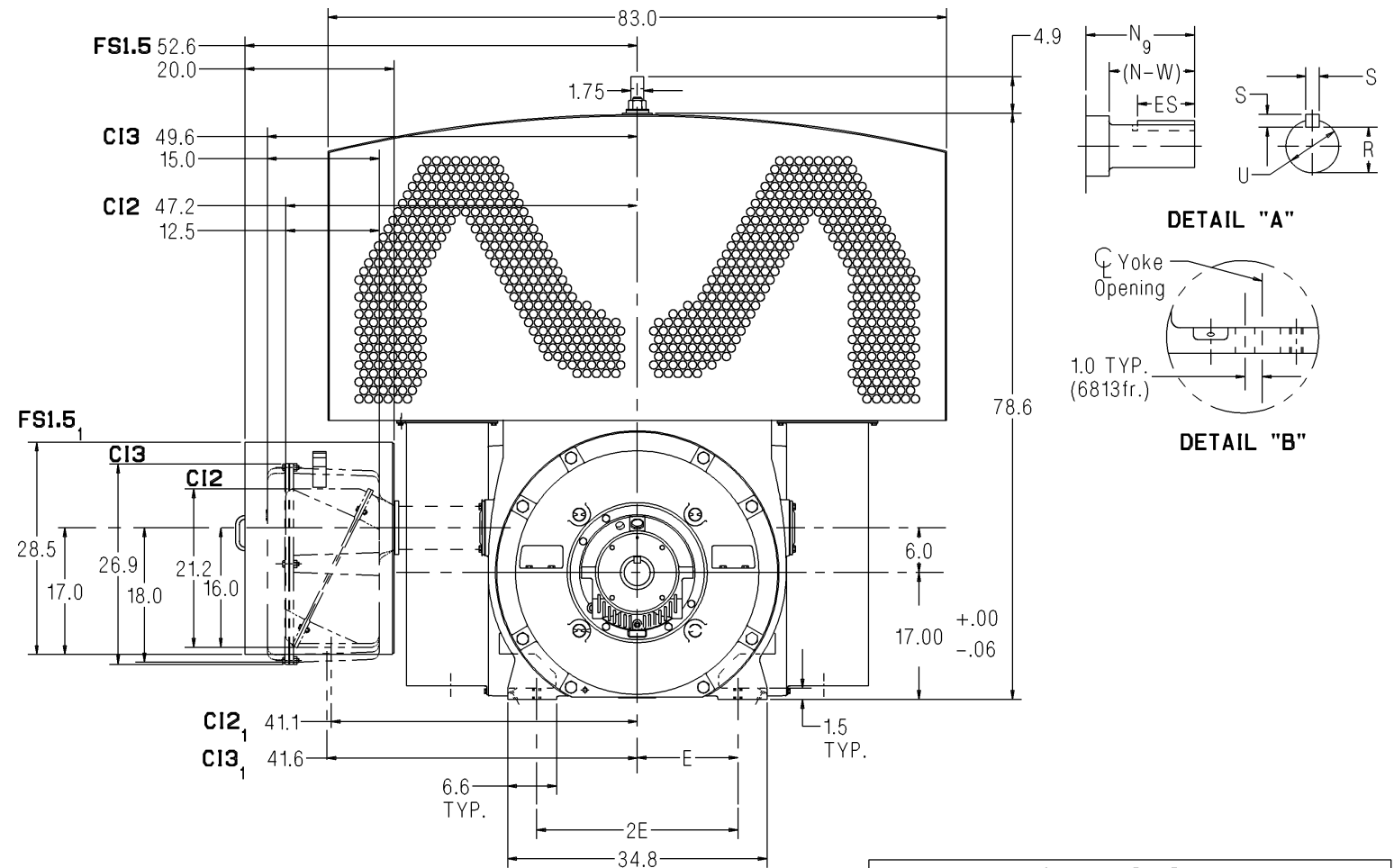
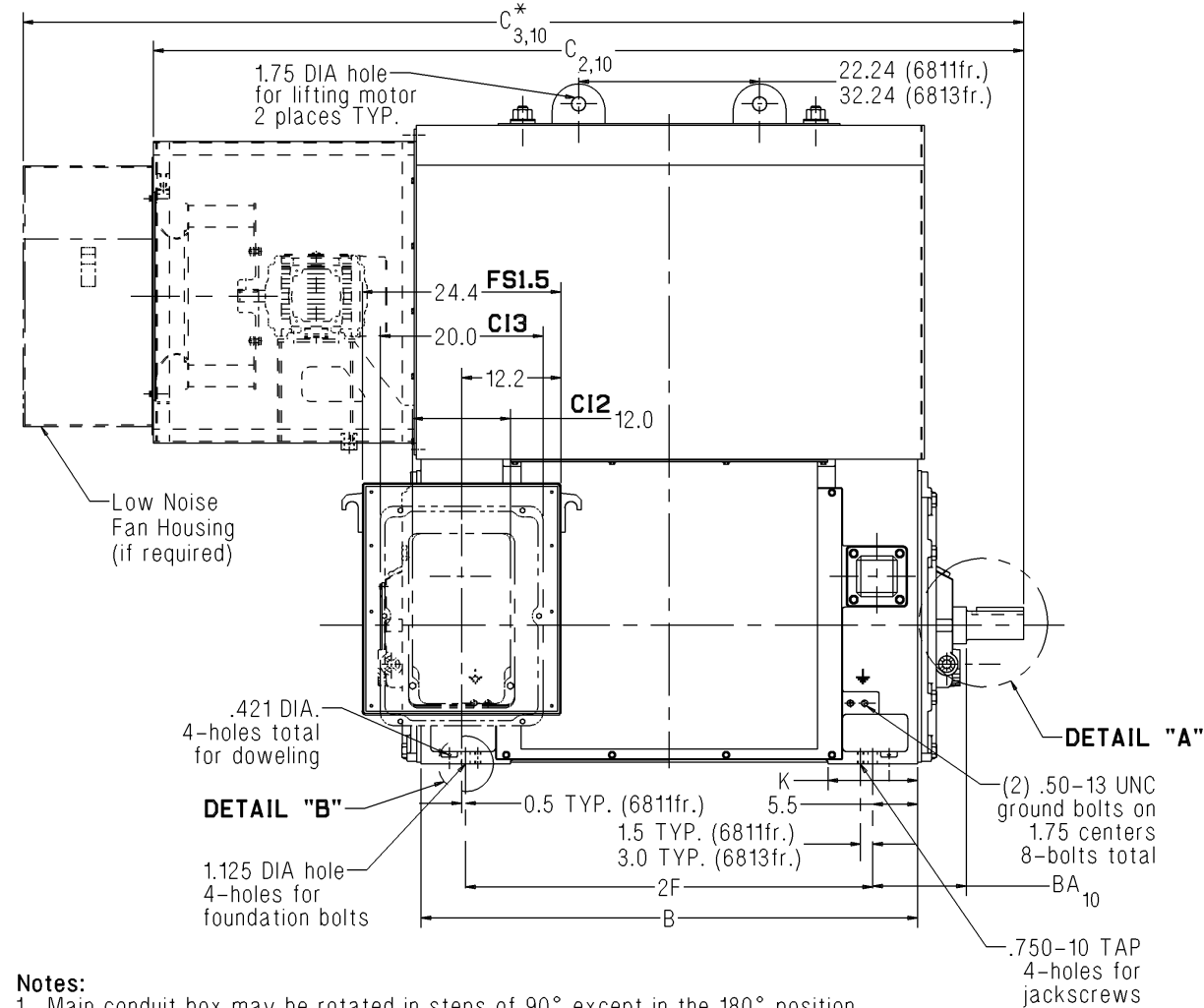


SIEMENS

Dimension Prints for Above NEMA Motors

Type CAZB - Horizontal - TEAAC with Auxiliary Blower Sleeve Bearing - Direct Connected Frames 6811 / 6813 - Rotatable Main Conduit Box



Lubrication Per Bearing	
2 Pole	4 Pole & Slower
140-160 SUS @ 100°F	290-350 SUS @ 100°F
3.0 qt. capacity	3.0 qt. capacity

Notes:

- Main conduit box may be rotated in steps of 90° except in the 180° position. A removable bottom plate is supplied on the FS1.5 conduit box. A 5.0 N.P.T. is supplied on the CI2 and CI3 conduit boxes. A 12.0" spacer is supplied on both frames for all rotatable conduit boxes.
- C = Length of motor from drive end of shaft to end of auxiliary blower.
- C* = Length of motor from drive end of shaft to end of low noise fan housing.
- V = (N-W)-0.25" = length of shaft available for coupling.
- 2 Pole machines rotate in one direction only.
- Shims may be necessary under motor feet for direct connection.
- Rotor end float = 0.5"
- End float of LEF coupling = 0.19"
- Adding a rotating labyrinth seal to the drive end decreases N by:
2 Pole: 0.80" 4 Pole: 0.80" 6 Pole & Slower: 0.80"
- When adding a ground brush, consult the factory. (BA, C, and C* will increase.)
- For motors equipped with provisions for proximity probes use this print for our standard internal mounting.
- Approximate Ship Weight is based on standard aluminum cooling tubes.

Standard Dimensions in Inches

Shaft	Frame	Speed	B	BA ₁₀	C _{2,10}	C* _{3,10}	E	2F	K	N ₉	(N-W)	R	S	U	V ₄	ES	Approx. Ship Wt. (Lbs) ₁₂
Short	6811	2 Pole	61.0	11.50	106.9	122.9	13.50	50.0	11.0	7.97	7.00	3.007	0.875	3.500	6.75	5.75	13500
Short	6811	4 Pole	61.0	11.50	109.1	125.1	13.50	50.0	11.0	10.22	9.25	4.169	1.250	4.875	9.00	8.0	14300
Short	6811	6 Pole & Slower	61.0	11.50	109.1	125.1	13.50	50.0	11.0	10.22	9.25	4.676	1.250	5.375	9.00	8.0	14100
Short	6813	2 Pole	74.0	11.50	119.9	135.9	13.50	63.0	12.5	7.97	7.00	3.007	0.875	3.500	6.75	5.75	16300
Short	6813	4 Pole	74.0	11.50	122.1	138.9	13.50	63.0	12.5	10.22	9.25	4.169	1.250	4.875	9.00	8.0	17100
Short	6813	6 Pole & Slower	74.0	11.50	122.1	138.9	13.50	63.0	12.5	10.22	9.25	4.676	1.250	5.375	9.00	8.0	16600

Certification: Customer _____ P.O. _____ S.O. _____ Item _____
 HP _____ RPM _____ Frame _____ PH/HZ/Volts 3/_____/_____
 By _____ Date _____ Terminal Box Size CI2 CI3 FS1.5
 Comments _____
 Not for construction, installation or application purposes unless certified.

CAZB_680_2plusPL_SLV_ROT
Revision 01
01/20/09