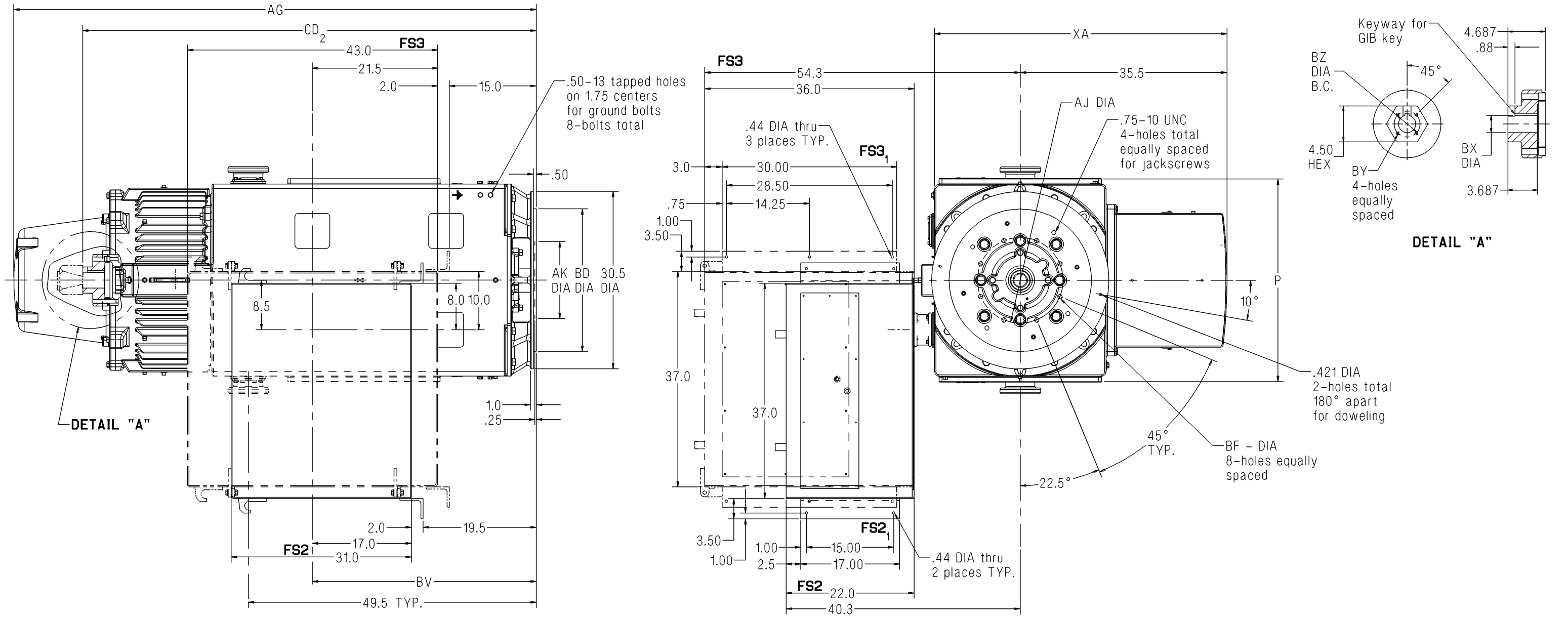


Dimension Prints for Above NEMA Motors



- Notes:**
1. Main conduit box is free standing and must be supported from below by customer. A removable bottom plate is supplied on the FS2 and FS3 conduit boxes. A 3.0" spacer is supplied on the 500 frame for the FS2 and FS3 conduit boxes.
  2. CD dimension is a maximum value. Actual dimension will vary with bearing selection. Consult factory for specific dimension.
  3. Machines may rotate in either direction, except when non-reverse ratchet is specified.
  4. Adding a rotating labyrinth seal to the drive end does not change any dimensions.
  5. Pump shaft adjusting nut and locking screws are not supplied with machine.

Standard Dimensions in Inches

| Frame | AG   | CD <sub>2</sub> | BV   | P    | XA   | Standard |      |      |       | Alternate |       |      |       | Approx. Ship Wt. (Lbs) |
|-------|------|-----------------|------|------|------|----------|------|------|-------|-----------|-------|------|-------|------------------------|
|       |      |                 |      |      |      | BD       | AJ   | AK   | BF    | BD        | AJ    | AK   | BF    |                        |
| 500   | 92.0 | 86.3            | 38.5 | 35.0 | 50.3 | 30.5     | 26.0 | 22.0 | 0.812 | 24.5      | 14.75 | 13.5 | 0.812 | 6900                   |

| Standard Bore Sizes |         |      |       |
|---------------------|---------|------|-------|
| BX                  | BY      | BZ   | Key   |
| 1.688               | .25-20  | 2.5  | 0.375 |
| 1.938               | .25-20  | 2.5  | 0.5   |
| 2.188               | .375-16 | 3.25 | 0.5   |
| 2.438               | .375-16 | 3.75 | 0.625 |
| 2.501               | .375-16 | 3.75 | 0.625 |
| 2.688               | .375-16 | 3.75 | 0.625 |

**Certification:** Customer \_\_\_\_\_ P.O. \_\_\_\_\_ S.O. \_\_\_\_\_ Item \_\_\_\_\_  
 HP \_\_\_\_\_ RPM \_\_\_\_\_ Frame \_\_\_\_\_ PH/HZ/Volts 3/\_\_\_\_\_/\_\_\_\_\_  
 By \_\_\_\_\_ Date \_\_\_\_\_ Terminal Box Size FS2  FS3

Comments \_\_\_\_\_  
 Not for construction, installation or application purposes unless certified.