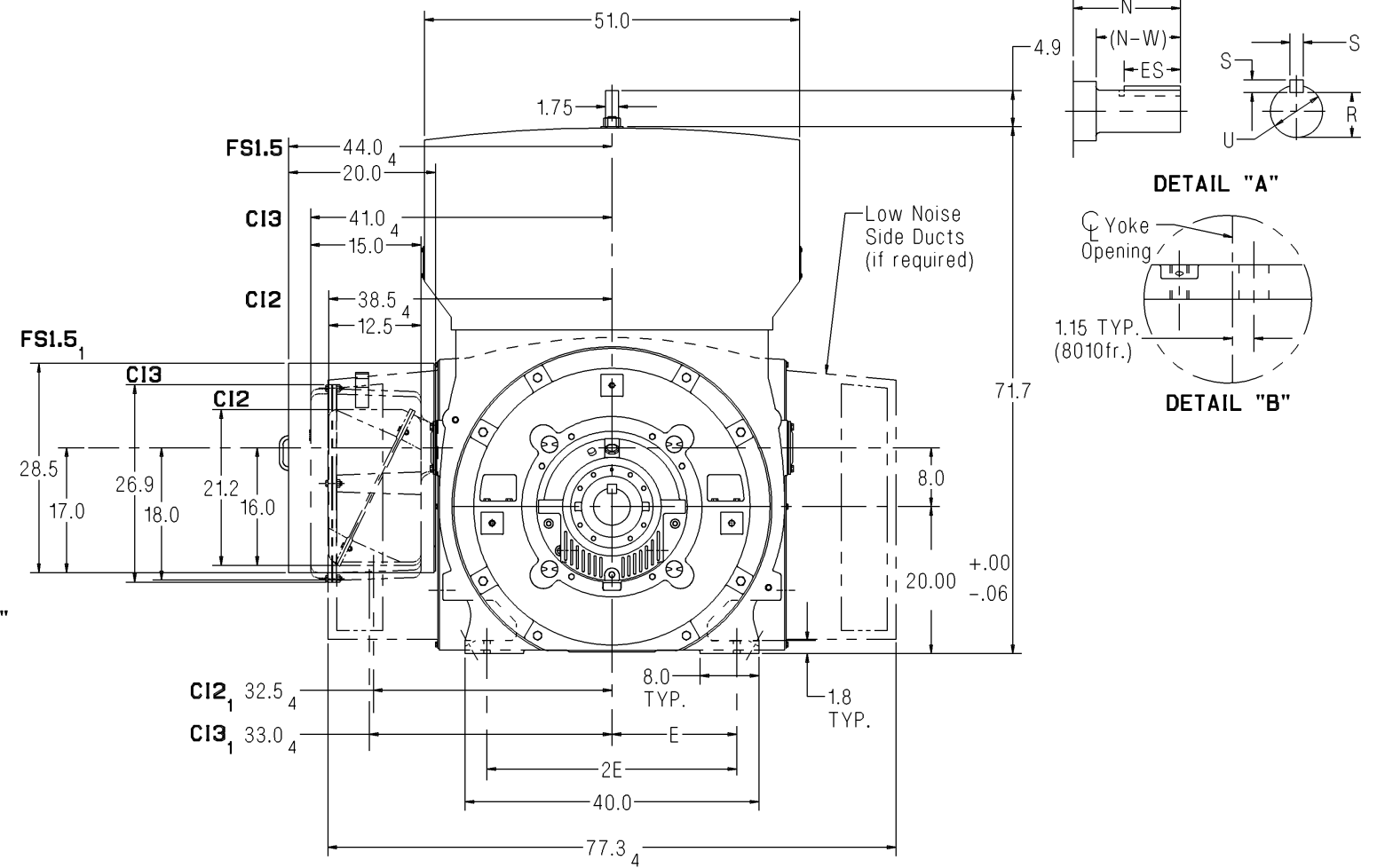
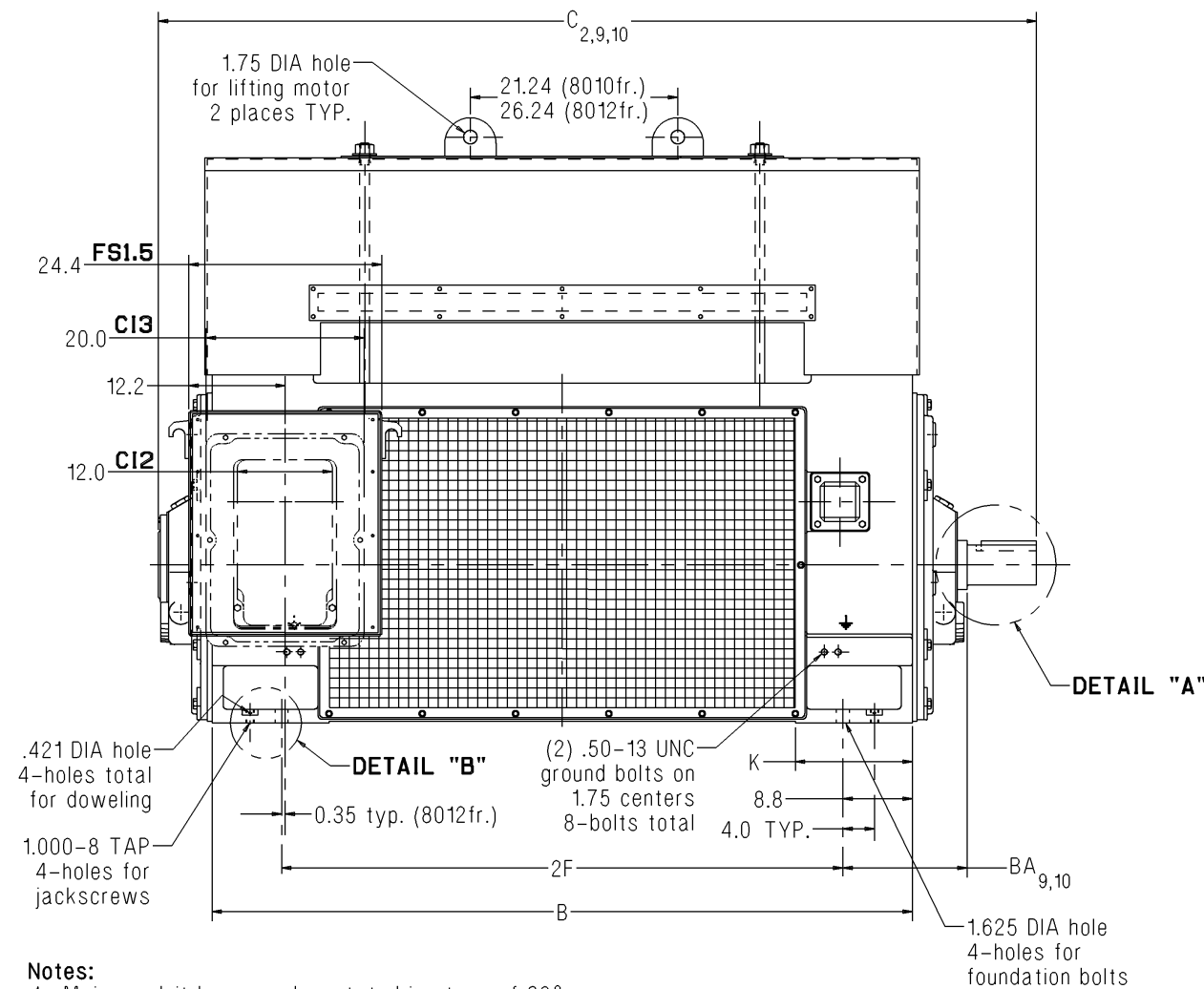


SIEMENS

Dimension Prints for Above NEMA Motors

Type CG - Horizontal - Open Drip Proof / Weather Protected Type I
Sleeve Bearing - Direct Connected
Frames 8010 / 8012 - 8 Pole & Slower - Rotatable Main Conduit Box



Notes:

- Main conduit box may be rotated in steps of 90°. A removable bottom plate is supplied on the FS1.5 conduit box. A 5.0 N.P.T. is supplied on the C12 and C13 conduit boxes.
- C = Length of motor from drive end of shaft to end of non-drive end of motor.
- V = (N-W)-0.25" = length of shaft available for coupling.
- Adding the low noise side ducts requires a 16.0" spacer for all rotatable conduit boxes. All associated rotatable conduit box dimensions will change accordingly.
- Machines may rotate in either direction.
- Shims may be necessary under motor feet for direct connection.
- Rotor end float = 0.5"
- End float of LEF coupling = 0.19"
- Adding a rotating labyrinth seal to the drive end increases BA and C by:
8 Pole & Slower: 1.00"
- When adding a ground brush consult the factory. (BA and C will increase.)
- For motors equipped with proximity probes use print CG_800_8plusPL_SLVPRB_ROT.

Lubrication Per Bearing	
8 Pole & Slower	
290-350 SUS @ 100°F	
6.0 qt. capacity	

Standard Dimensions in Inches

Shaft	Frame	Speed	B	BA _{9,10}	C _{2,9,10}	E	2F	K	N	(N-W)	R	S	U	V ₃	ES	Approx. Ship Wt. (Lbs)
Short	8010	8 Pole & Slower	73.6	15.75	98.0	17.0	56.0	13.3	11.75	11.00	5.408	1.50	6.250	10.75	9.5	18000
Short	8012	8 Pole & Slower	88.6	15.75	113.0	17.0	71.0	14.8	11.75	11.00	5.408	1.50	6.250	10.75	9.5	22800

Certification: Customer _____ P.O. _____ S.O. _____ Item _____
 HP _____ RPM _____ Frame _____ PH/HZ/Volts 3/_____/_____
 By _____ Date _____ Terminal Box Size C12 C13 FS1.5

Comments _____
 Not for construction, installation or application purposes unless certified.

CG_800_8plusPL_SLV_ROT
Revision 01
01/26/09