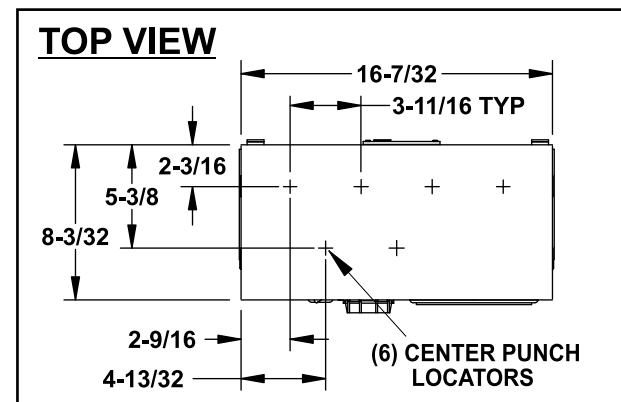
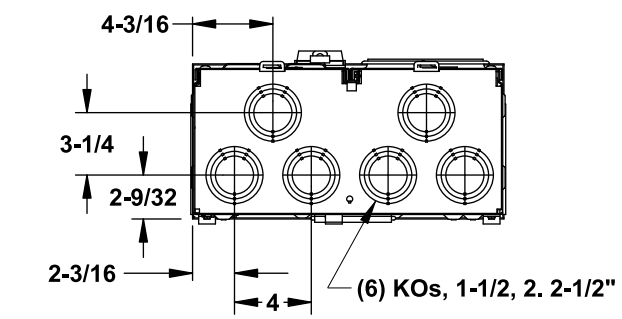
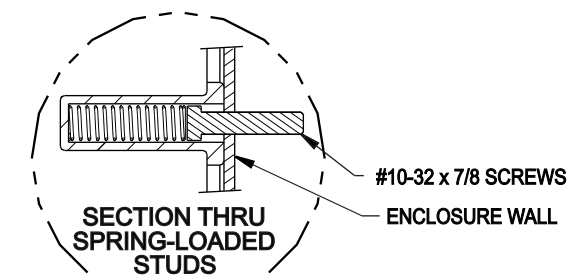
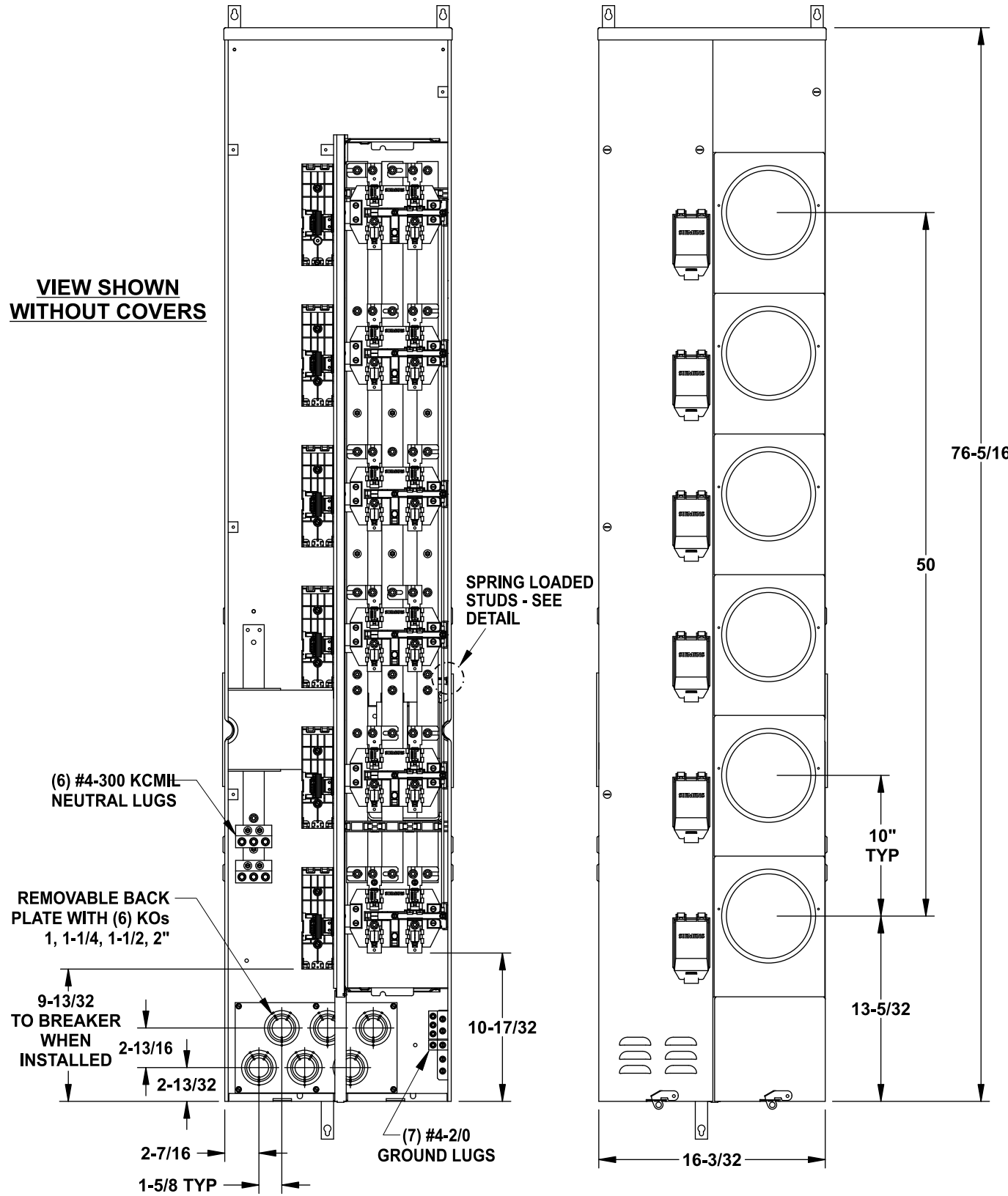


VIEW SHOWN WITHOUT COVERS



Catalog Numbers, Features and Ratings

- MAIN BUS RATING: 1200 AMPS, 240V AC MAX.
- METER SOCKET RATING: 200 AMPS CONTINUOUS
- 100,000 AIC RATING MAX.
- BRANCH RATING: TOP 3 BRANCHES 200A MAX, BOTTOM 3 BRANCHES 225A MAX.
- 3 PHASE INPUT / 1 PHASE OUTPUT
- TYPE 3R OUTDOOR ENCLOSURE
- MOUNTING RAILS AND ADJUSTABLE BRACKETS FOR SECURE MOUNTING
- 10" METER SOCKET SPACING FOR CONSOLIDATED EDISON

| Catalog No. | Main Bus | Meter Positions | Cover Type | 5th Jaw, Position |
|-------------|----------|-----------------|------------|-------------------|
| WMN62225J | 3 Phase | 6 | Ring | Installed, 9:00 |

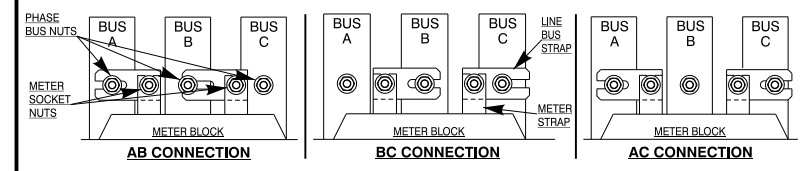
Additional Modules

| Module Description | Siemens Series# |
|--------------------|-----------------|
| Main Breakers | WB, WEB, WXB |
| Switches | WS, WES |
| Tap/Terminal Boxes | WTB, WET, WT_PU |
| Meter Module | (W)MM, (W)ML |
| Meter Combinations | WC, WCL |
| Extension Box | WSP, WSPD |
| Bussed Elbow | BE |

| Connect Modules Using: | Catalog Number / Torque |
|------------------------|---|
| QuickConnect | QC4, Torque 400-440 lb-in (35-36 ft.-lb.) |

Rephasing Instructions

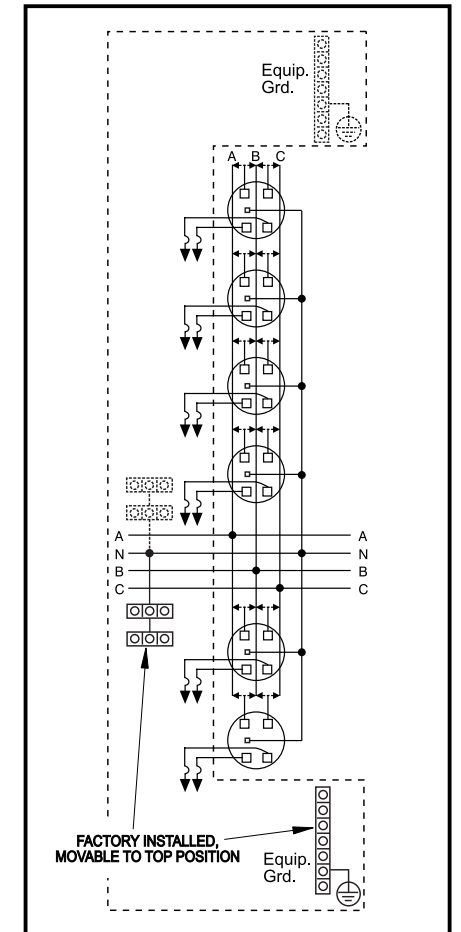
Factory installed phasing is AB, BC, AC, AB, BC, and AC top to bottom. Each meter socket can be phased AB, BC, or AC by repositioning line bus straps. If a different phase arrangement is needed, loosen hex nuts and reconnect one or both line bus straps, then retighten the hex nuts to 60-65 lb.-in. Tighten hex nut at meter socket first, then tighten hex nut on vertical phase bus.



Accessories

| Description | Catalog No. |
|----------------------------|-------------|
| Horn By-Pass Mod | ECMFH |
| End Closure Plate | WMEP |
| 5th Jaw Mod | ECMF5 |
| Meter Cover Plate | ECCP3 |
| Meter Socket | ECMFS |
| 225A Breaker Mounting | ECMFBM2 |
| Meter Cover, Ring Type 10" | ECMFMC10 |
| Parts Kit | ECMFPK |
| Load Cover Screws | ECMFCS |
| Bottom Pull Cover | ECMFC |
| Mounting Rail | MMRAIL |
| Mounting Clip | MMCLIP |
| Quick Phase Strap | ECMFPS |
| Breaker Cover Repl. | ECBC |
| Mounting Tabs (2) | ECMFTAB |
| Ground Bar Kit | ECMFGN125 |
| Neutral Bar Kit 225A | ECMFN225 |
| Back Rail/Clip | ECMFWLCLIP |
| Wall Mounting Rail (60") | MMZR60 |
| QP Breaker Retainer | ECMBR2 |
| KO Plate with Knockouts | ECMMKOP |
| KO Plate w/o Knockouts | ECMMNKOP |

Schematic



© 2013 Copyright Siemens Industry, Inc.

SIEMENS
Siemens Industry, Inc.

PowerMod™ Meter Stack

Catalog Numbers: **3in-1out Residential Socket, 6 Pos, 225A, 5th Jaw, Ring Type w/10" Centers**

Size B Dwg. No. **WMN62225J**

Dwn KAM Date 4/22/13 DO NOT SCALE DRAWING SHEET 1 OF 1