

Installation Instructions

⚠ DANGER

**Hazardous voltage.
Will cause death or
severe injury.**

Turn power off supplying
device before installing.

SAFETY INSTRUCTIONS

| BREAKER TYPES |
|--|
| FJ6(ETI), F6, HF6, CLF(ETI), SFD6, SHFD6, FXD6(ETI), FD6, HFD6, CFD6(ETI), SCFD6, HFJ6, FFC, FFF |

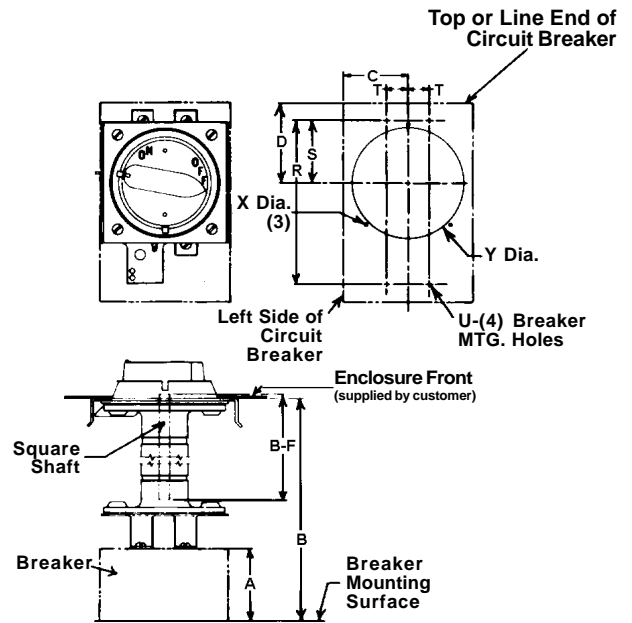
NOTE: This instruction sheet outlines the recommended installation procedure.

1. Turn power off supplying device before installing kit.

DRILLING OF ENCLOSURE AND ENCLOSURE COVER

2. Drill four breaker mounting holes (U) per drilling plan on outline drawing.
3. Place template on breaker mounting surface so that the four centers in the template line up with the breaker mounting holes. Make sure "On" - "OFF" indications on template are in same direction as "ON" - "OFF" indications on breaker. Use 2 breaker mounting screws to hold template in place.
4. Measure distance "A" and "B" from walls of enclosure. See Fig. 1.
5. Relocate template on enclosure cover by adding enclosure thickness and cover overhang (C) to dimensions "A" and "B". See Fig. 2.
6. Remove backing from template and secure template on door.
7. Drill holes "X" (.375 diam.[9.52]) and "Y" (4.12 diam.[104.6]) on template.

OUTLINE DRAWING AND DRILLING PLAN



View from Load End of Breaker

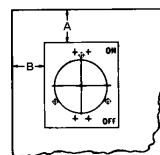
| Dimensions | |
|------------|---------------|
| Inches | [Millimeters] |

DIMENSIONAL CHART

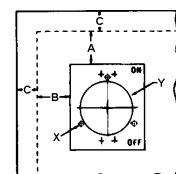
| A | C <small>2 Pole 3 Pole</small> | D | F | R | S | T | U | X | Y |
|--------------|-----------------------------------|------------------|-------------------|------------------|------------------|---------------|--------|--------------|------------------|
| 4 [101.6] | 2 1/4 [57.2] | 5 1/8 [130.1] | 5 5/16 [134.9] | 7 1/2 [190.5] | 4 1/8 [104.8] | 3/4 [19.0] | 1/4-20 | 3/8 [9.5] | 4 1/8 [104.8] |

ENCLOSURE DEPTH DIMENSIONS Maximum and Minimum

| 3 Inch Pipe | | 5 Inch Pipe | | 7 Inch Pipe | | 9 Inch Pipe | |
|-------------------|------------------|-------------------|-------------------|-------------------|-------------------|-------------------|-------------------|
| B MAX. | B MIN. | B MAX. | B MIN. | B MAX. | B MIN. | B MAX. | B MIN. |
| 11 1/2 [292.1] | 9 1/2 [241.3] | 13 1/2 [342.9] | 11 1/2 [292.1] | 15 1/2 [393.7] | 13 1/2 [342.9] | 17 1/2 [444.5] | 15 1/2 [393.7] |



Breaker
Mounting Surface
Fig. 1



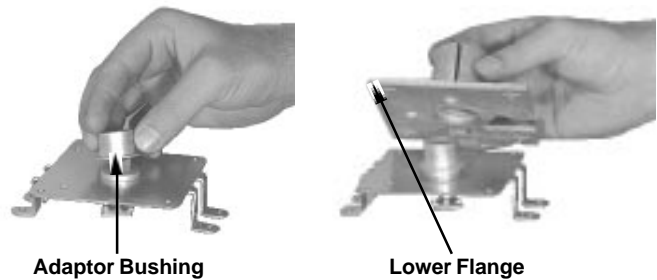
Enclosure Cover
Fig. 2



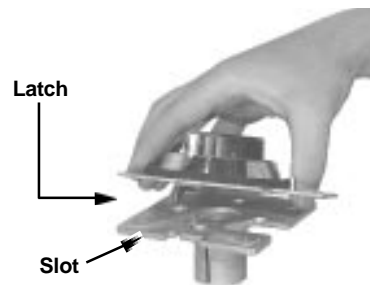
Installation Instructions

ASSEMBLY OF MECHANISM

1. With adaptor bushing in place on bearing of lower mechanism, place lower flange (flange with the 4 tapped holes) on to lower mechanism. Secure with four flat head screws.



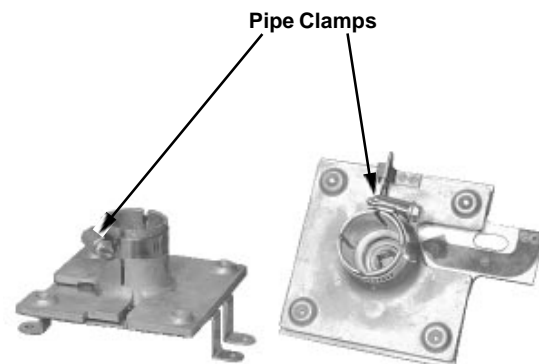
2. Place upper mechanism on upper flange (flange with 4 tapped holes) and secure with four flat head screws. Be sure latch on mechanism fits into elongated slot in flange.

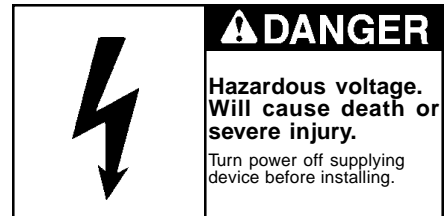


3. Cut square shaft to desired dimension. To do this subtract dimension "F" (see dimension chart) from "B" dimension which is the distance from the back of the breaker to inside of enclosure door.



4. Place pipe clamp on the collar of each flange. Do not tighten.





Installation Instructions

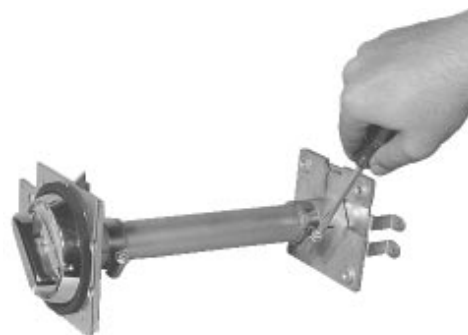
5. Place square shaft into bushing on lower mechanism and then place support pipe over this shaft and into collar of flange.

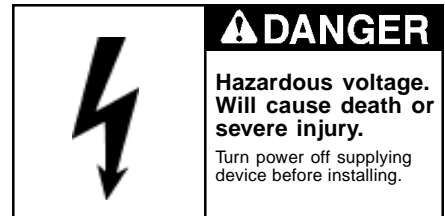


6. With both lower and upper mechanism in "OFF" position (lower mechanism is "OFF" when square shaft is turned fully to the right) place upper mechanism on to support pipe. Make sure square shaft engages upper mechanism.



7. Lay assembly on flat surface (this will square assembly). If "B" dimension is the minimum, as shown on dimensional chart, tighten pipe clamps with support pipe seated fully into both flange collars. If "B" dimensions is other than minimum, adjust support pipe is in each of the upper and lower flange collars. (A minimum of 1/2 inch of pipe must be in each flange collar). Tighten pipe clamps.





Installation Instructions

MOUNTING OF BREAKER AND MECHANISM

1. With breaker in "OFF" position and rotary handle mechanism in "OFF" position, mount mechanism on breaker using 4 screws (1/4-20 x 4-3/8). Make sure opening in mechanism lever engages breaker operating handle. Tighten screws.
2. Loosely secure the door rings with the 3 screws provided (6-32 x 1/4). Position the interior ring (has the latch tabs and threaded holes) as shown in Fig. 1. The exterior ring mounts on the outside of the door with the small flange to the inside (as shown in Fig. 2).
3. Close enclosure door and adjust external ring on door so it is concentric with handle ring. Tighten the 3 screws.
4. Check door operation. Latch on mechanism should engage latch tab interior ring when breaker is "ON" and disengage latch tab when operating handle is rotated to "Open Door" position.
5. Enclosure door may be opened when breaker is "ON" by turning defeater screw clockwise.



Fig. 1



Fig. 2