

Siemens.com/mobility

QNC1 Relay

A dc neutral, tractive armature contactor

General data

Contact Arrangement: 2F(HD) 4B, 2F(HD) 2F 2B and 2F(HD) 5B

Nominal Rated Voltage: 24 and 50V dc

Approximate Weight: 1.35 kg

Note: Refer to the following data sheets:

- 7-1-1 for general information and contact ratings.
- 7-2-1 for dimensions.
- 8.2 for tools.
- 8.3 for plugboard and connector details.

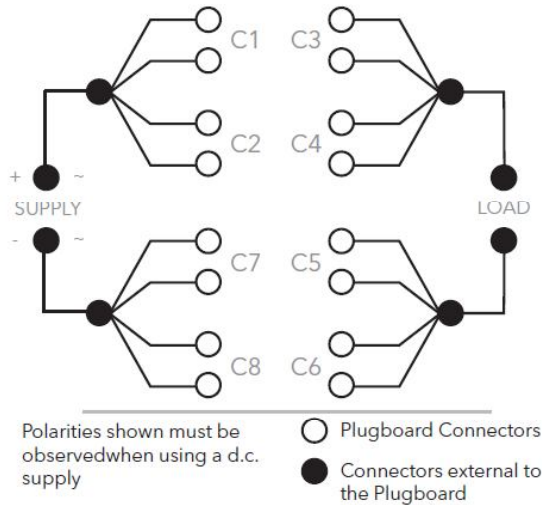
Refer overleaf for specific data.



Description

In addition to signalling contacts it is fitted with two Heavy Duty HD front contacts with magnetic blow out. The relay is ac immune to 240 V ac rms 50 Hz. It is designed primarily for the control of point machine motors.

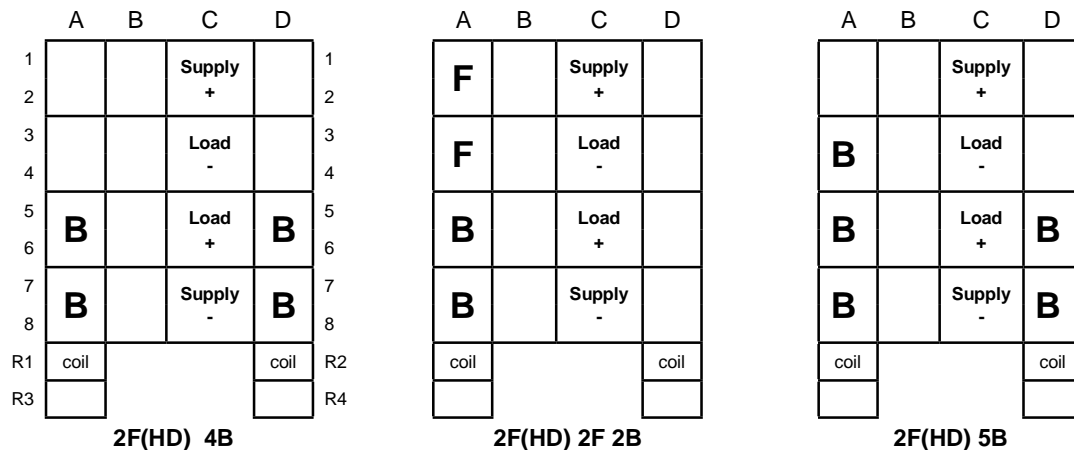
HD Contacts and Wiring arrangement



Each heavy duty contact terminal is connected to two plugboard connectors in parallel, each connector should be wired with two wires in parallel to handle the heavy currents involved. To ensure efficient operation of the magnetic blowouts the connection polarity shown below must be observed for d.c. operation.

Note: The back contacts can be connected in series to give detection of a welded heavy duty front contact.

Contact Layout viewed from rear



Packaging

Q-Relays are packed in a carton holding ten relays; the same container is used for quantities of four to nine relays. Quantities less than four are packed individually in cardboard boxes, as are all train-carried relays. Each container has a bar-coded label affixed to the outside, stating details of the packaged relay(s) and the quantity therein.

EMC Compliance

Q-Relays comply with the relevant emission requirements of EN 55014. It is considered that these relays have inherent immunity to in-service electro-magnetic disturbance. A Technical Certificate for EU Directive on EMC (89/336/EEC) has been obtained.

Technical data

SIEMENS Part No. (PAD No.)	CONTACT ARRANGEMENT	RATED VOLTAGE (V dc)	PIN CODE	COIL RES (OHMS)	WDG SPEC 1/108/-	MAX FULL OP. (V dc)	MIN REL (V dc)	PLUGBOARD	REQD No. OF CONNECTORS J4137/3	REMARKS
B18550/1 (85/001545)	2F(HD) 4B	50	166 BCDJK	1800	85	40	14	J4138/250	18	BRB Spec. 966 F1
B18550/2 (85/001535)	2F(HD) 4B	24	167 BCEFK	270	90	19.2	8.5	J4138/261	18	BRB Spec. 966 F1
B18550/3	2F(HD) 2F 2B	50	XBFJK	1800	85	40	14	J4138/284	18	----
B18550/4	2F(HD) 5B	50	XDFGK	1800	85	40	7.5	J4138/346	20	----



Un-drilled plugboard
Part No. E7218/1

Representation of Relay,
Plugboard and Retaining clip
(Clip Part No. J4136/1)

