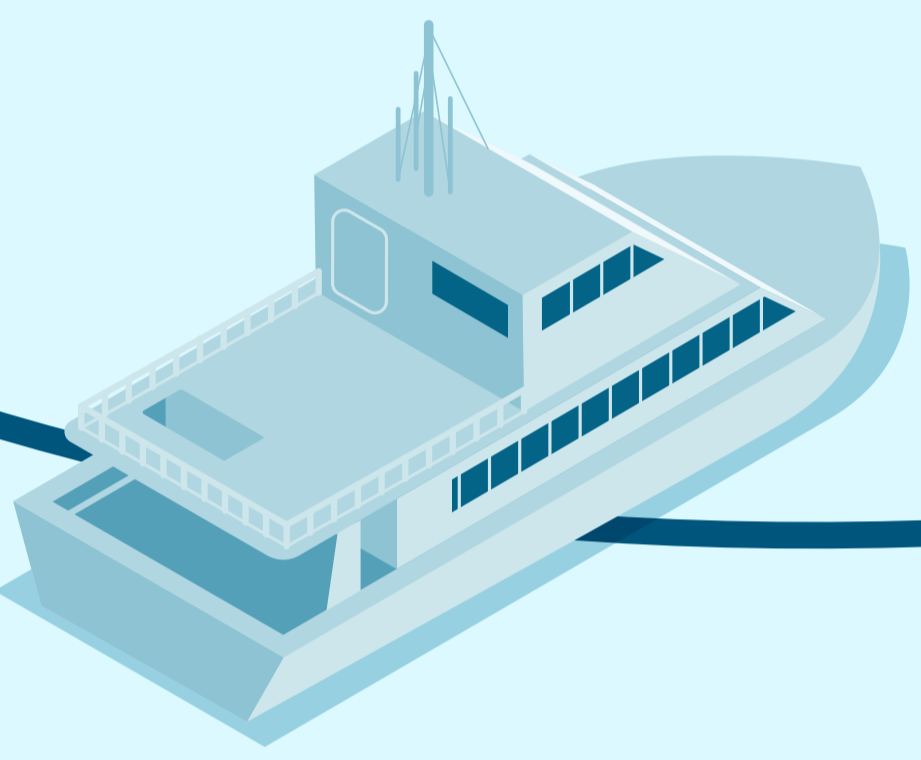


Energizing Bolivia

14
gas turbines
from Sweden
to Bolivia



Sea route

•60 days •14,000 km

~50 MW
power capacity
per gas turbine

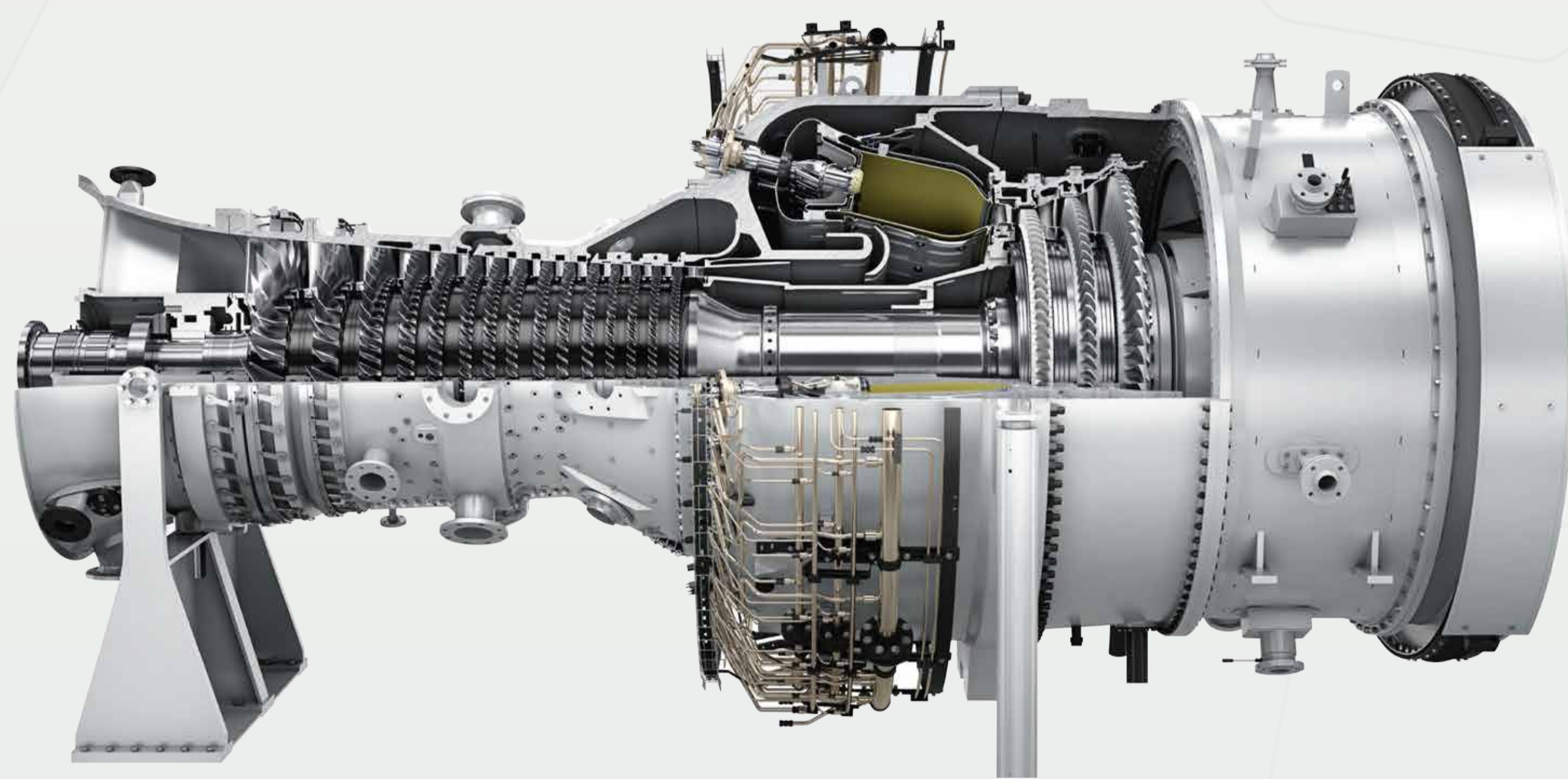
~87 t
weight



1 GW
added to Bolivian
electric grid

Land transport

•180 bridges to cross
•1,800 km distance
•4,680m height difference



11m long

4m high

5m wide

