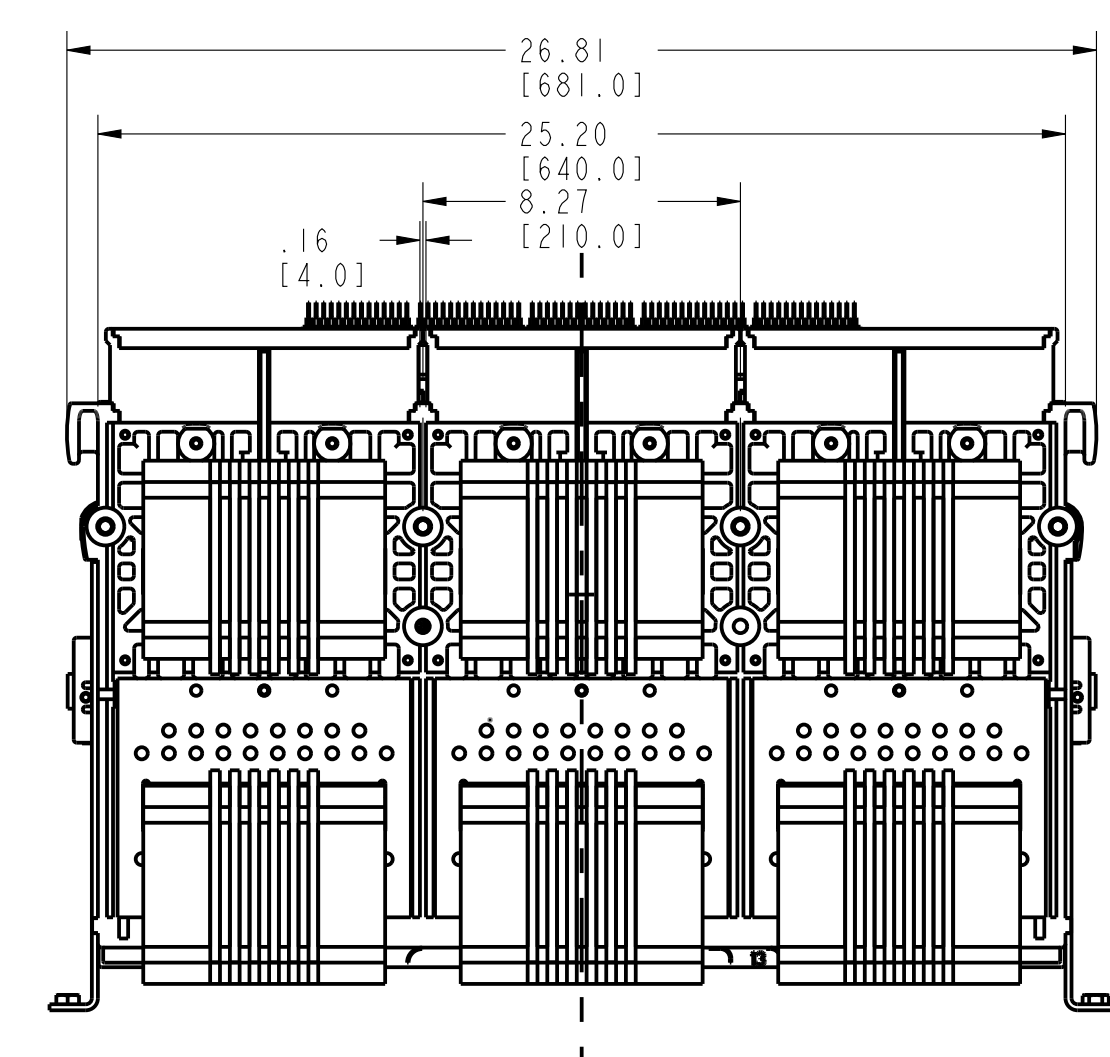
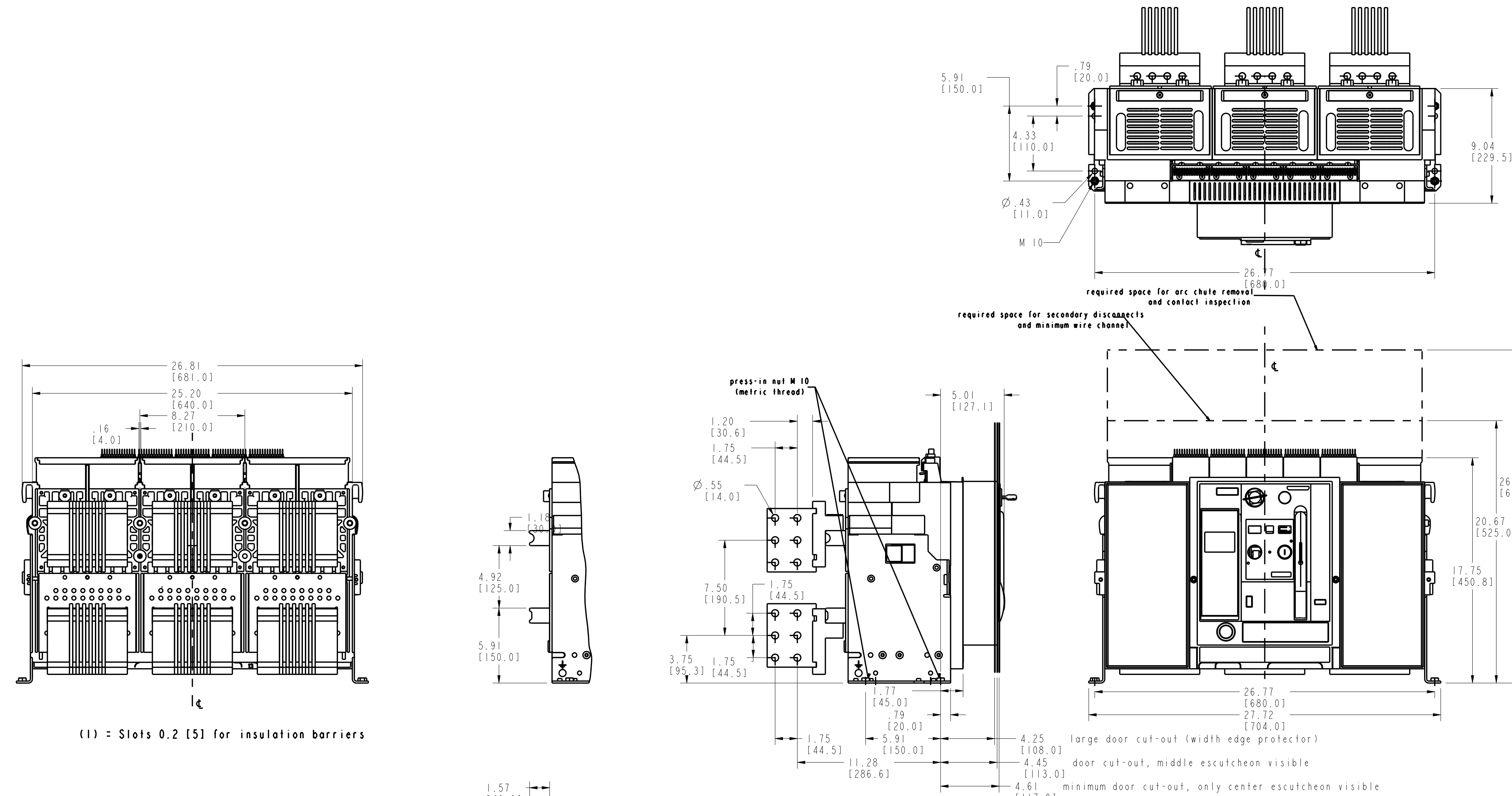
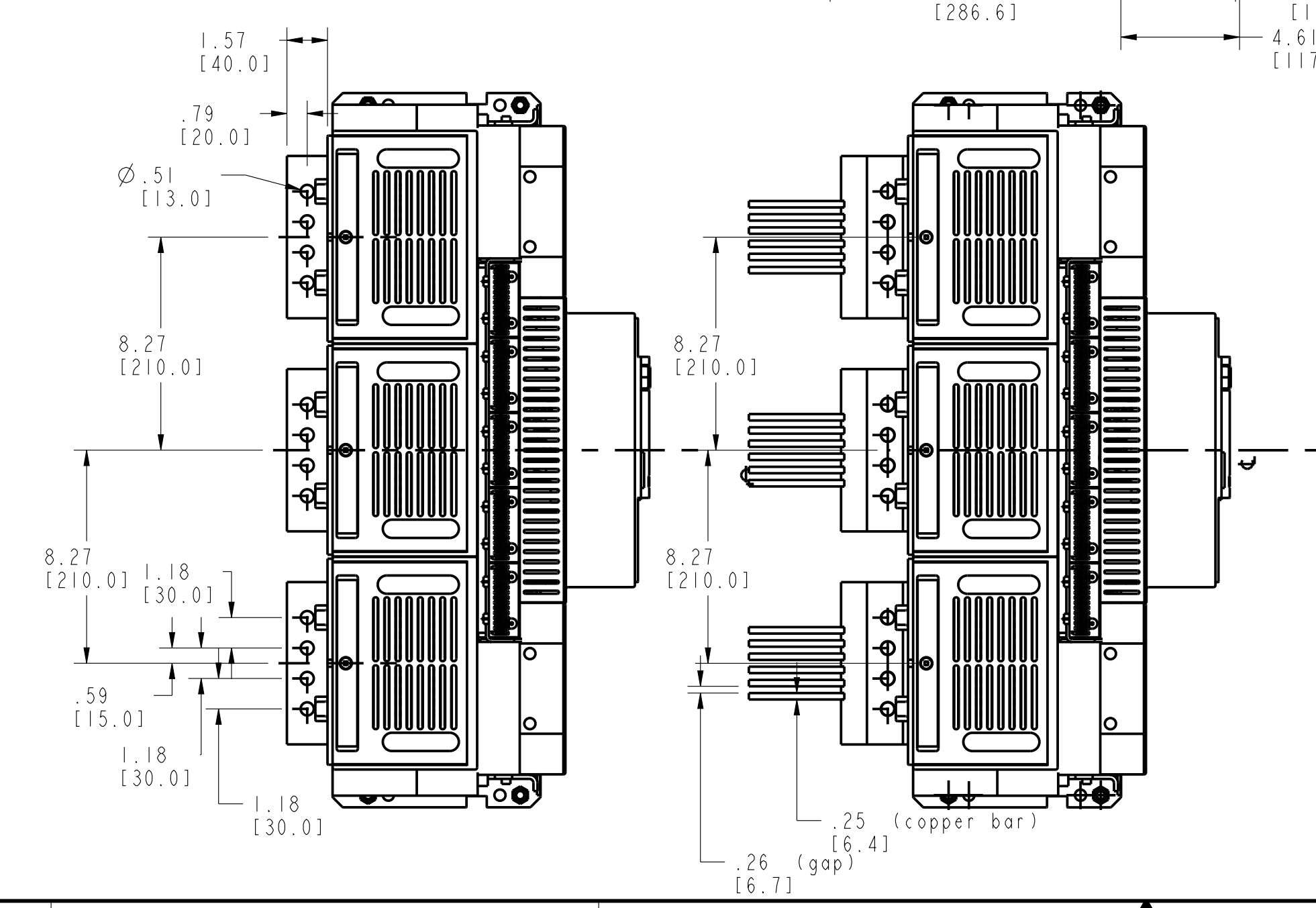


REVISIONS				
REV	ECN/MCR	DESCRIPTION	DATE CHANGED BY	APPROVED BY
OP		INITIAL PRELIMINARY RELEASE	02-20-15	M. Rodr



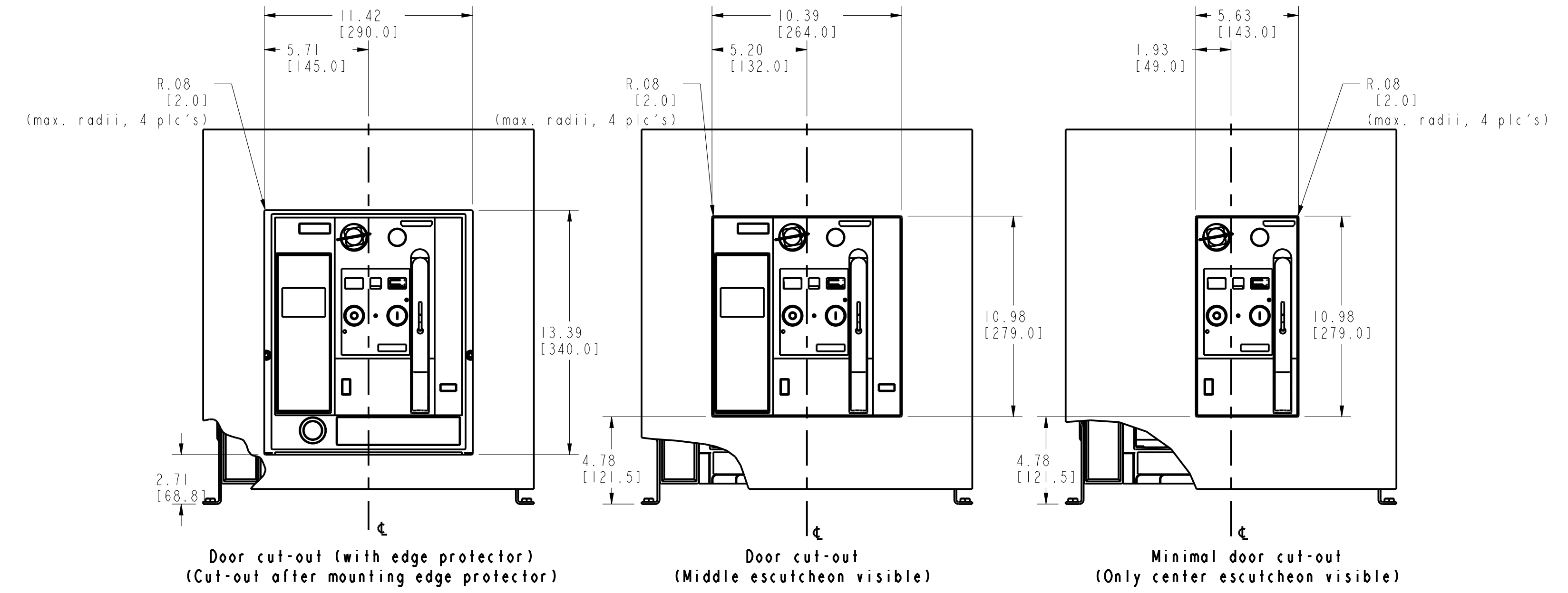
(I) = Slots 0.2 [5] for insulation barriers



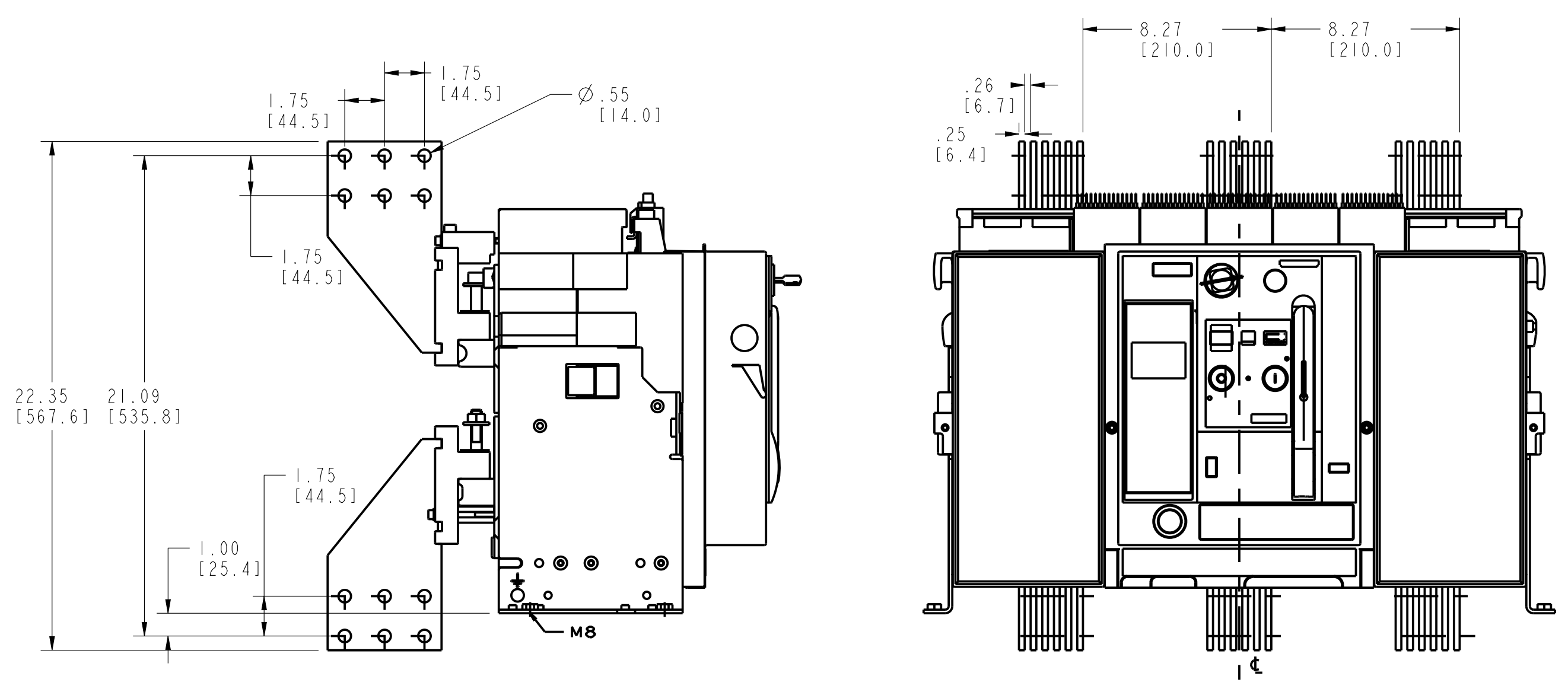
814875	Drawing applicable for the following frames WLL3F340, WLL3F350 WLC3F340, WLC3F350	
PART OR IDENTIFYING NO.	MATERIAL/SPECIFICATION	
CONFIDENTIAL - PROPERTY OF Siemens Industry, Inc.		
Siemens Industry, Inc.		
UL489 FS3 Fixed-Mounted 3P Class L + C		
UNLESS OTHERWISE SPECIFIED DIMENSIONS ARE IN INCHES DO NOT SCALE DRAWING	TOLERANCES: .X ± .01 .XXX ± .005 ANGULAR ± 1.00	
DWN M. Rodr	DATE 2-20-15	SIZE FSCM NO.
CHK S. Puppala	DATE 2-25-15	DWG NO. 814875
APVD K. Flowers	DATE 2-27-15	SCALE 1:5
REV. OP	SHEET 1 OF 2	PROJ FILE 814875

REVISIONS				
REV	ECN/MCR	DESCRIPTION	DATE CHANGED BY	APPROVED BY
OP		SEE CHANGES DESCRIPTIONS ON SHEET 1	02-20-15	M. Rodr

Frame size II and III, fixed mounted breaker, door cut-outs



Frame size III, fixed mounted breaker
Front Connectors



814875	Drawing applicable for the following frames WLL3F340, WLL3F350 WLC3F340, WLC3F350			
PART OR IDENTIFYING NO.	MATERIAL/SPECIFICATION			
CONFIDENTIAL - PROPERTY OF Siemens Industry, Inc.				
UNLESS OTHERWISE SPECIFIED DIMENSIONS ARE IN INCHES DO NOT SCALE DRAWING		Siemens Industry, Inc.		
TOLERANCES: .X1 ±.01 .XIII ±.005 ANGULAR ±1.00		UL489 FS3 Fixed-Mounted 3P Class L + C		
DWN M. Rodr	DATE 2-20-15	SIZE D	FSCM NO.	DWG NO. 814875
CHK S. Puppala	DATE 2-25-15	SCALE 1:5	PROJ FILE 814875	REV. OP
APVD K. Flowers	DATE 2-27-15	SHEET 2	OF 2	