

# Catalog Number MM0202B1100ESC

## Features and Ratings

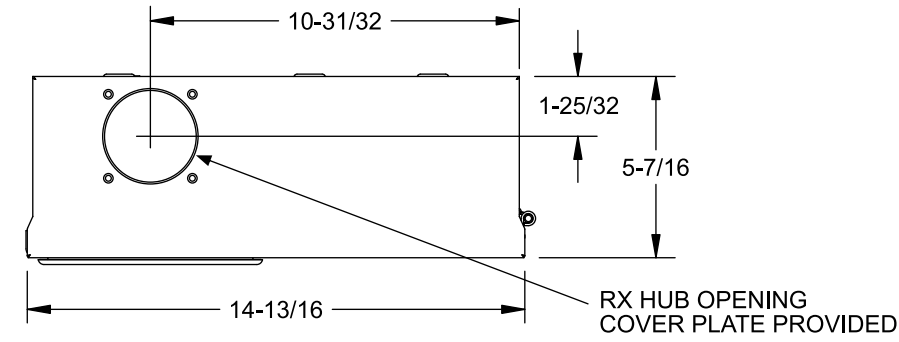
- Outdoor Enclosure (NEMA Type 3R)
- Ring Type Meter Cover
- Meter Socket Rating: 100A Continuous
- 100A Max, 1 Phase, 3 Wire, 120/240V~, 120/208V~
- 100A Main Breaker Installed
- 22,000 AIC Max. Rated (See Wiring Diagram for Details)
- Aluminum Bus Bars
- Overhead or Underground Service Entrance
- Surface Mounting
- Complies with EUSERC Dwg. No. 301

## Accessories, Torques & Wire Sizes

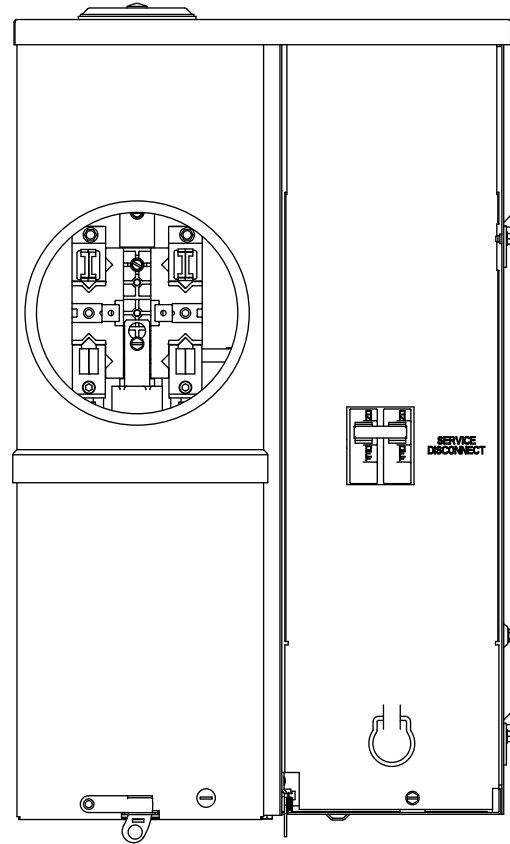
Trade size (in)	Catalog number
<i>RX Type Hub (top endwall)</i>	
1 1/4"	EC38597
1 1/2"	EC38598
2"	EC38599
2 1/2"	EC38600
RX Cover Plate	EC38595
<i>HC Type Hub (bottom endwall)</i>	
2"	ECHC200
2 1/2"	ECHC250
3"	ECHC300

Accessories:	Cat. No.
Filler Plate	ECQF3
5th Jaw Assembly	EMC5J
Meter Socket Jumper	ECJS

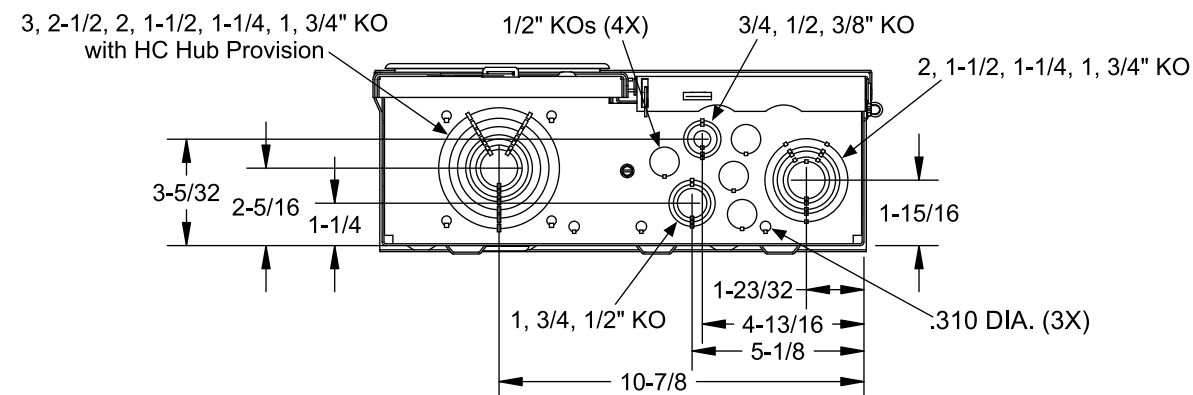
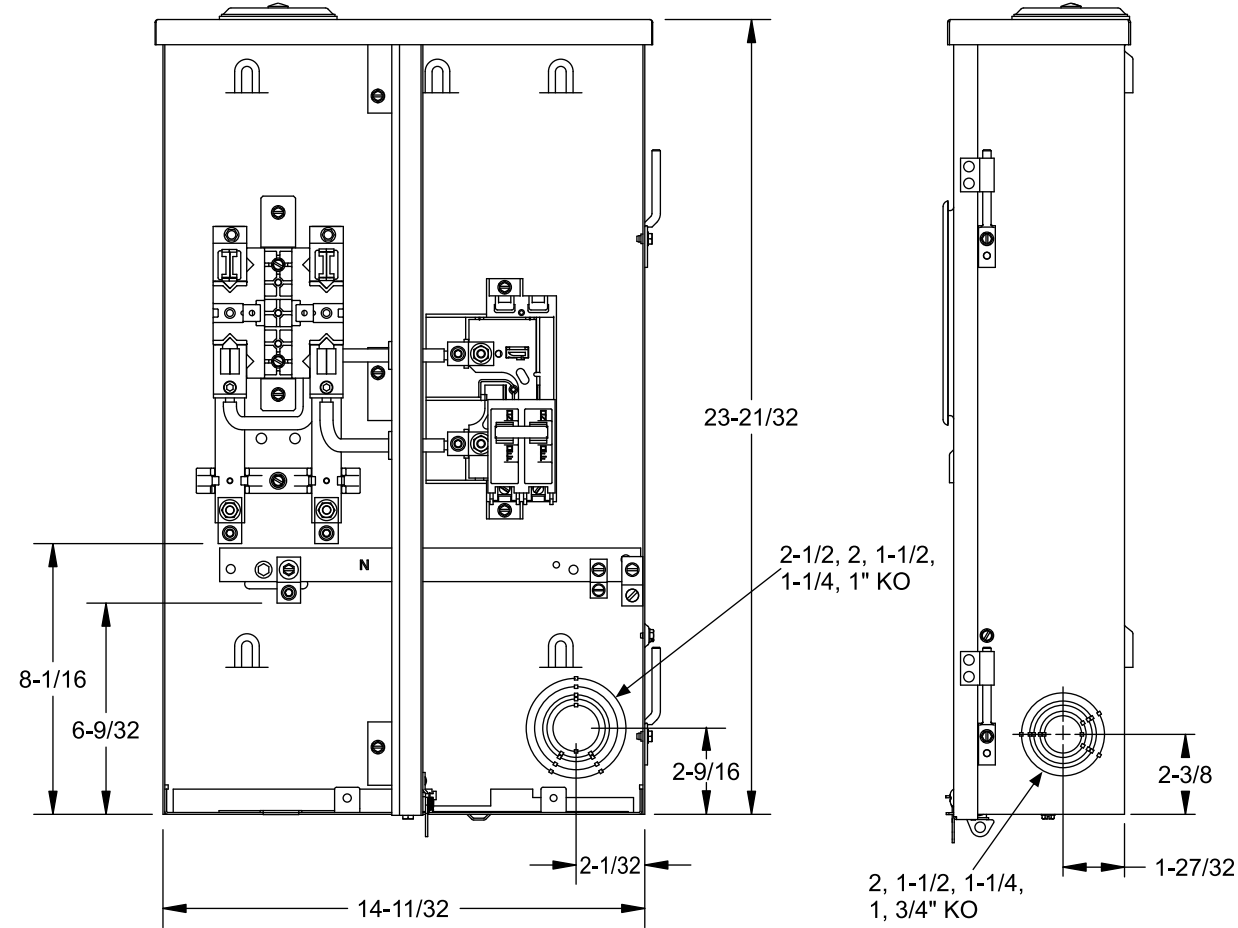
Lug Kit	Wire Range	Torque
ECLKG2	2/0-#14	50 Lb-Ins.



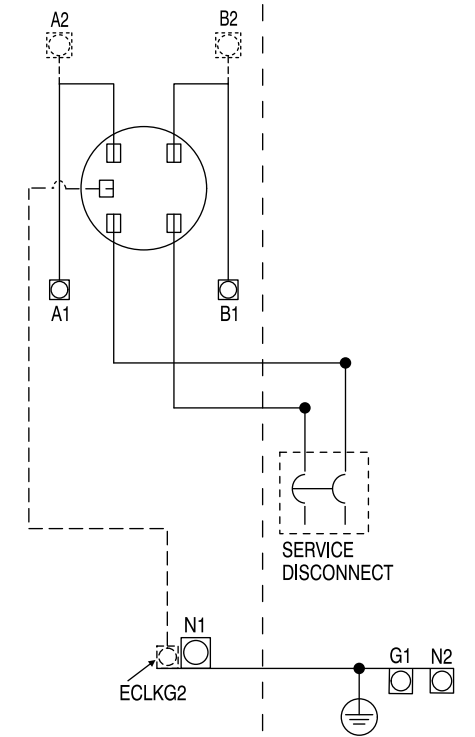
View Shown Without Door



View Shown Without Covers, Door, Deadfront

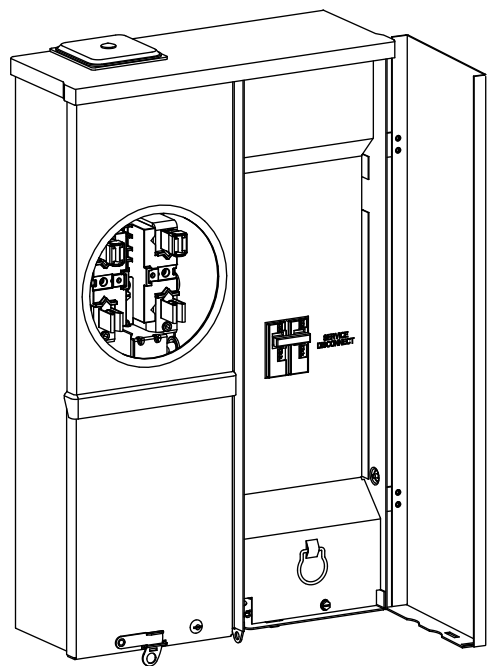


## Schematic



Terminal	Wire Size	Torque
A1, B1, A2, B2, N1	2/0 - #4	110 lb-in
N2	2/0 - #4	50 lb-in
G1	#2 - #14	45 lb-in
Branch Breaker Terminals	See Markings on Breaker	

Line terminals A1 and B1 are installed for underground service entry as shown in the wiring diagram. For overhead entry, service bus may be repositioned.



© 2012 Copyright Siemens Industry, Inc.

**SIEMENS**  
Siemens Industry, Inc.

## Meter/Main Breaker Combination

Description: **100A, MB, OH/UG, Surf Mount**

KAM 9/12/12 Fam G DO NOT SCALE DRAWING Dwg. No. **MM0202B1100ESC**