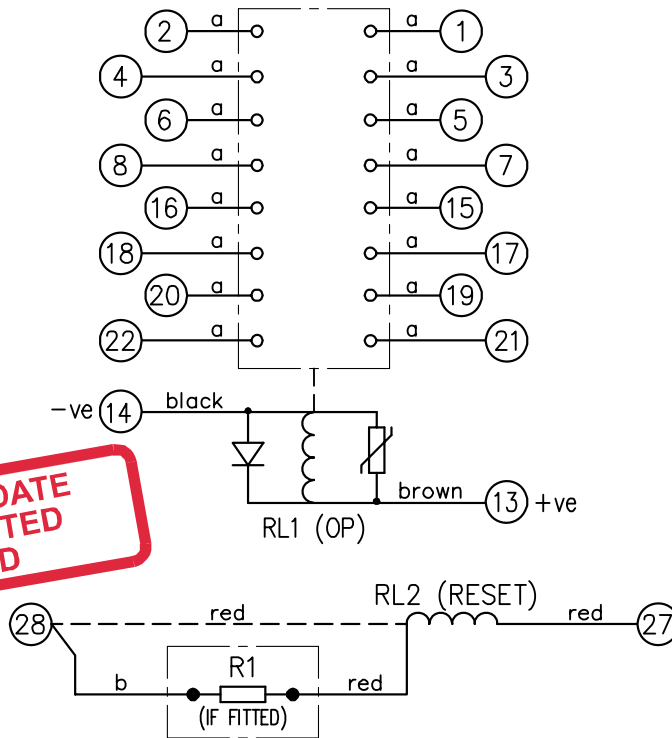


LOOKING ON FRONT OF RELAY



**NOT SUBJECT TO UPDATE  
ONCE COPIED / PRINTED  
OR DOWNLOADED**

**PRINTED ON 05/02/2013  
ENSURE CORRECT REVISION  
DESTROY AFTER USE**

NOTES:

1. RESET COILS ARE NOT CONTINUOUSLY RATED. IT IS RECOMMENDED THAT A N.O. CONTACT IS CONNECTED IN SERIES WITH THE RESET COIL
2. DASHED LINE --- SHOWS CONNECTIONS WHEN RESISTORS ARE NOT FITTED.

ASSEMBLY WIRES USED	
a	2107B10001 12 OFF
b	2107D10181 1 OFF

KEY	RL2 (RESET) KIT	SOLKIT:6V	SOLKIT:6V	SOLKIT:6V	SOLKIT:12V	SOLKIT:36V	SOLKIT:36V				
	⊠ ⊠ make contact	RL1 (OP) COIL	2112G20019	2112G20020	2112G20022	2112G20023	2112G20026	2112G20029			
⊠ ⊠ break contact	R1	NIL	2102C15687	2102C25180	2102C15270	NIL	2102C15471				
⊠ ⊠ c/o contact	Volts dc	24	30	48	60	125	240				
⊠ ⊠ ext. conn plug bridge - shorting	CONTACT CONFIG.	OUTPUT CONTACT PAIR / TERMINAL No.									
⊠ ⊠ metering point		1-3	2-4	5-7	6-8	9-11	10-12	15-17	16-18	19-21	20-22
⊠ ⊠ 5Kv barrier	8M	M	M	M	M	/	/	M	M	M	M
⊠ ⊠ test socket - shorting	7M 1B	M	M	M	M	/	/	M	B	M	M
⊠ ⊠ plug & socket	6M 2B	M	B	M	M	/	/	M	B	M	M
	5M 3B	M	B	M	M	/	/	B	B	M	M
	4M 4B	B	B	M	M	/	/	B	B	M	M
	3M 5B	B	B	M	M	/	/	B	B	M	B
	2M 6B	B	B	M	B	/	/	B	B	M	B
	1M 7B	B	B	M	B	/	/	B	B	B	B
	8B	B	B	M	B	/	/	B	B	B	B

FRAME REFERENCE: E2FAQM.

FRAME TERMINAL BLOCK ASSY: -

ASSEMBLY INSTRUCTIONS: -

TYPICAL ASSEMBLY DRAWING 2995G10032.

AT INDICATED POSITIONS FIT AS FOLLOWS:

T - FIT TRIP ISOLATION CONTACT 2995B10053

S - FIT STANDARD CONTACT 2995B10054

SECURE CONTACTS USING FIXING SCREW

2109F99009.

POSITIONS SHOWN BLANK ARE UNUSED

2	T	T	1
4	T	T	3
6	T	T	5
8	T	T	7
10			9
12			11
14	S	S	13
16	T	T	15
18	T	T	17
20	T	T	19
22	T	T	21
24			23
26			25
28	S	S	27

VIEW FROM NUMBERED SIDE OF BLOCK

OUTER TERMINAL BLOCK ASSY: -

ASSEMBLY INSTRUCTIONS: -

TYPICAL ASSEMBLY DRAWING 2995G10029.

AT INDICATED POSITIONS FIT AS FOLLOWS:

S - FIT STANDARD CONTACT 2995B10051

HC - FIT 'HEAVY CURRENT' KIT 2995G10030

WHERE ⊠ ⊠ IS SHOWN FIT CT SHORTING

KIT 2995G10031

POSITIONS SHOWN BLANK ARE UNUSED.

ALL POSITIONS FIT SCREW 2106F12506.

2	S	S	1
4	S	S	3
6	S	S	5
8	S	S	7
10			9
12			11
14	S	S	13
16	S	S	15
18	S	S	17
20	S	S	19
22	S	S	21
24			23
26			25
28	S	S	27

VIEW FROM INSIDE FACE

1	04/01/13	MOD.No.	Title.	First used on:
			T.B. & W.D. FOR AR1-3D/AR1-6D 8C RELAY IN EPSILON E2 CASE.	Similar Articles:
ISSUE	DATE	MOD.No.	Original Scale.	Supersedes:
SIEMENS PROTECTION DEVICES LTD.			2112W50229	Drg.No.
DRAWN: J. BURNETT	CHECKED:RD.WATSON	APPROVED:RD.WATSON		DATE: 05/02/2013
			OPS:	

2112W50229