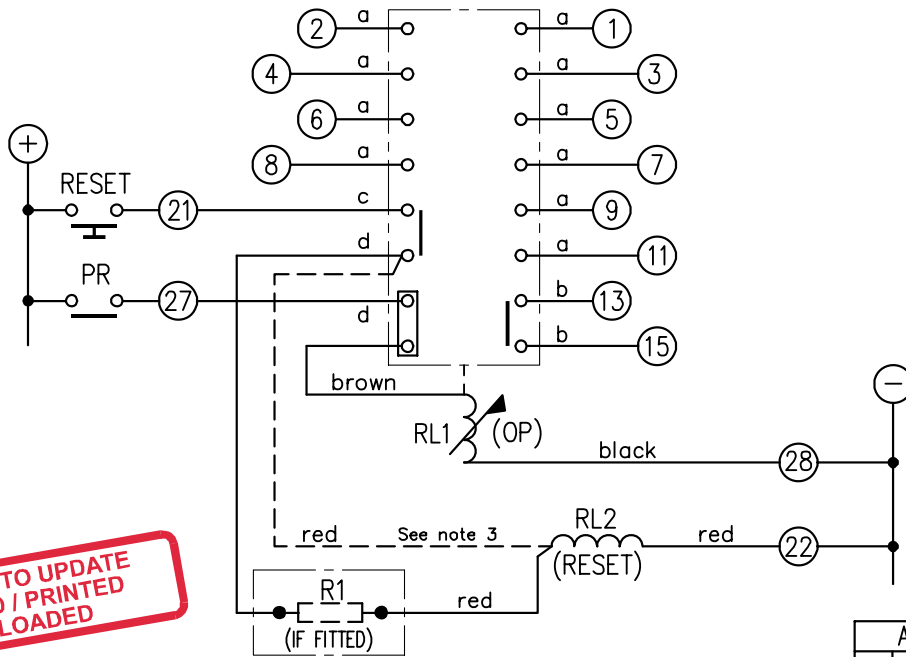


LOOKING ON FRONT OF RELAY

2112W50007



NOT SUBJECT TO UPDATE
ONCE COPIED / PRINTED
OR DOWNLOADED

PRINTED ON 03/06/2011
ENSURE CORRECT REVISION
DESTROY AFTER USE

| ASSEMBLY WIRES USED | | |
|---------------------|------------|--------|
| a | 2107B10001 | 10 OFF |
| b | 2107B10002 | 2 OFF |
| c | 2107B10003 | 1 OFF |
| d | 2107D10164 | 2 OFF |

| RL2 (RESET) KIT | SOLKIT:6V | SOLKIT:6V | SOLKIT:6V | SOLKIT:12V | SOLKIT:36V | SOLKIT:36V |
|-----------------|------------|----------------------|----------------------|----------------------|------------|-----------------------|
| RL1 (OP) COIL | 2112G20013 | 2112G20014 | 2112G20016 | 2112G20017 | 2112G20020 | 2112G20023 |
| R1 | NIL | 1X6R8 2102C15687 W21 | 1X18R 2102C25180 W22 | 1X27R 2102C15270 W21 | NIL | 1X470R 2102C15471 W21 |
| Vdc | 24 | 30 | 48 | 60 | 125 | 240 |

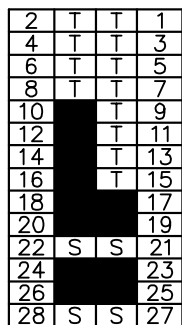
| KEY | CONTACT CONFIG. | OUTPUT CONTACT PAIR/TERMINAL No. | | | | | | | |
|---------------------------|-----------------|----------------------------------|-----|-----|-----|------|-------|-------|--|
| | | 1-3 | 2-4 | 5-7 | 6-8 | 9-11 | 10-12 | 13-15 | |
| ⊖⊖ make contact | 6M | M | M | M | M | M | M | M | |
| ⊖⊖ break contact | 5M 1B | M | B | M | M | M | M | M | |
| ⊖⊖ c/o contact | 4M 2B | B | B | M | M | M | M | M | |
| ⊖⊖ ext. conn | 3M 3B | B | B | M | B | M | M | M | |
| ⊖⊖ plug bridge - shorting | 2M 4B | B | B | B | B | M | M | M | |
| ⊖⊖ metering point | 1M 5B | B | B | B | B | B | M | M | |
| ⊖⊖ 5Kv barrier | | | | | | | | | |
| ⊖⊖ test socket - shorting | | | | | | | | | |
| ⊖⊖ plug & socket | | | | | | | | | |

NOTE:

- CONTACT CONFIGURATION ABOVE IS REQUIRED FOR RELAY OPERATION. FOR DETAILS OF VARIABLE CONTACT OPTIONS SEE TABLE OPPOSITE.
- RESISTOR R1 TO BE FITTED ONLY WHEN REQUIRED.
- DASHED LINE ---- SHOWS CONNECTIONS WHEN RESISTORS ARE NOT FITTED.

FRAME REFERENCE: E2FAQM.
FRAME TERMINAL BLOCK ASSY: -

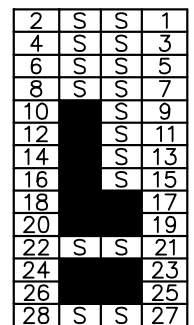
ASSEMBLY INSTRUCTIONS: -
TYPICAL ASSEMBLY DRAWING 2995G10032.
AT INDICATED POSITIONS FIT AS FOLLOWS:
T - FIT TRIP ISOLATION CONTACT 2995B10053
S - FIT STANDARD CONTACT 2995B10054
SECURE CONTACTS USING FIXING SCREW 2109F99009.
POSITIONS SHOWN BLANK ARE UNUSED



VIEW FROM NUMBERED SIDE OF BLOCK

OUTER TERMINAL BLOCK ASSY: -

ASSEMBLY INSTRUCTIONS: -
TYPICAL ASSEMBLY DRAWING 2995G10029.
AT INDICATED POSITIONS FIT AS FOLLOWS:
S - FIT STANDARD CONTACT 2995B10051
HC - FIT 'HEAVY CURRENT' KIT 2995G10030
WHERE ⊖⊖ IS SHOWN FIT CT SHORTING KIT 2995G10031
POSITIONS SHOWN BLANK ARE UNUSED.
ALL POSITIONS FIT SCREW 2106F12506.



VIEW FROM INSIDE FACE

| | | | | | |
|--|----------|----------------------|---|--------------------------------|----------------------|
| Title: T.B. AND WIRING DIAG. FOR TR131-6 RELAY IN EPSILON E2 CASE. | | | First used on: | | |
| 4 RDW 31/05/11 MN112/3408 | | | Similar Articles: | | |
| 3 RDW 11/11/05 MN112/2744 | | | Supersedes: | | |
| 2 08/02/00 MN112/247 | | | Drg.No. 2112W50007 | | |
| ISSUE | DATE | MOD.No. | Reyrolle Protection Hebburn. | | Original Scale: . |
| DRAWN: A.LAW. | CHECKED: | APPROVED: R.D.WATSON | DATE: 16/07/02 | Copyright © 1998 Reyrolle Ltd. | |