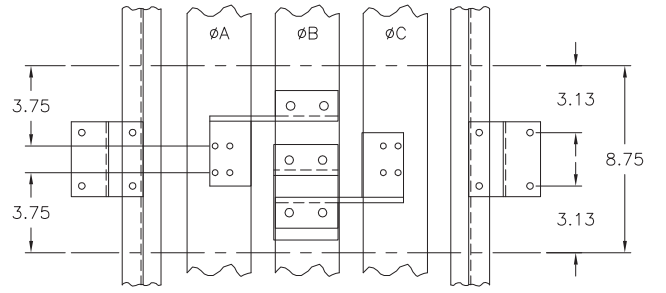


-01 CAT# 6JJ62
 -02 CAT# SJ2D

TORQUE VALUES
 ④ 12 FT./LBS.
 ⑩ 72 IN./LBS.

FOR ITE BREAKER TYPES:
 JD2, JJ6, JL6, HJ6, JXD2
 JXD2, JXD6, JD6, HJD6, HHJD6

-02	-01	ITEM	PC. NO.	DESCRIPTION
2	2	1	11-6398-01	MOUNTING BRACKET
2	2	2	16-6974-01	ØAC BRANCH BUS
1	1	3	16-6949-02	ØB BRANCH BUS
6	6	4	11-1566-07	5/16-18 X 1-1/4" HHMS
6	6	5	11-1618-04	5/16" LOCK WASHER
6	6	6	11-1615-06	5/16" FLAT WASHER
6	6	7	11-1620-04	5/16-18 INSERT
1	1	8	12-6139-01	FRONT PLATE
6	6	9	11-1553-02	1/4-20 X 3/8" SHWHSW
2	2	10	11-B-2022-05	STRAP-BUS HARDWARE KIT
4	4	11	11-1542-14	1/4-20 X 2-3/4" SRHMS
1	1	12	12-5531-11	FILLER PLATE ASSEMBLY
1	-	13	31-1223-01	INSTRUCTION SHEET
1	1	14	15-A-1027-01	CARTON LABEL
2	2	15	11-7505-01	CIRCUIT I.D. CARD
2	2	16	11-7506-01	CARD HOLDER
4	-	17	11-1546-03	1/4-20 X 5/8" HHMS
4	-	18	11-1618-03	1/4" LOCK WASHER
4	-	19	11-1615-04	1/4" FLAT WASHER
-	-	20	11-1580-02	3/8-16 X 1" RHSNB
-	-	21	11-1622-01	3/8-16 BELLEVILLE WASHER NUT
1	1	22	48001057	CARTON
-	1	23	11-5570-02	SERIES 5 CONVERSION KIT
-	1	24	31-1169-01	INSTRUCTION SHEET
-	-	25		
-	1	26	12-B-2105-04	NEUTRAL LUG ASSEMBLY
1	-	27	12-B-2105-06	NEUTRAL LUG ASSEMBLY



⚠ DANGER
 Hazardous voltage.
 Will cause death or serious injury.
 Keep out.
 Qualified personnel only.
 Disconnect and lock off all power before working on this equipment.

Rev	C.N.	Date	Apvd	Chk	Dwn	Scale
11	1C-831B	7-31-06				
10	1C-831A	04-12-04				
9	1B-908	5-8-95				
8	1B-359	11-11-92				
7	1B-190	2-11-92				
6	1A-939	7-22-91				
5	1A-280B	1-31-91				
4	1A-280	11-30-90				
3	1A-066	2-16-89				
2	8A-093	7-15-88				
1	945					
0	864	4-12-84				

Unless otherwise specified dimensions are in inches
 Tolerances are non-cumulative and are as follows unless specified otherwise.
 .XX ± .030
 .XXX ± .015
 Angular ± 2°
 Do not scale drawing

Confidential - Property of
Siemens Industry, Inc.
 Norcross, GA

**JD FRAME TWIN MOUNTING
 SERIES 6 BRANCH**

Dwg No. **12-5721** Rev. **11**
 Scale NONE Sheet 1 of 1

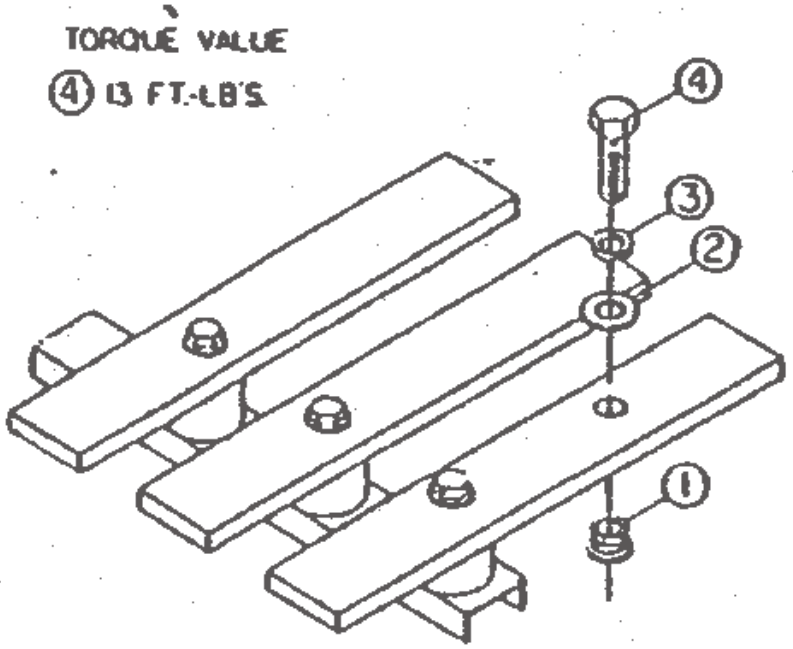
FOR USE ON SERIES 5 OR 6 DISTRIBUTION SECTIONS, CDP-5, CDP-6, VB-5, VB-6, FCI, FCII, SB1, SB2 & SB3

IF EXISTING EQUIPMENT IS TYPE CDP-5, VB-5, OR FC20 THE VERTICAL BUS WILL BE PRE-PUNCHED WITH .406 DIAMETER HOLES. IN THESE CASES USE SERIES 5 ADAPTOR KIT FURNISHED WITH THIS KIT. SEE REVERSE SIDE FOR INSTRUCTIONS.

31-1169-01 Rev. 3

Siemens Industry, Inc.
 Norcross, GA

CAT. NO. 6JJ62



⚠ DANGER
 Hazardous voltage.
 Will cause death or serious injury.
 Keep out.
 Qualified personnel only.
 Disconnect and lock off all power before working on this equipment.

Apvd	ITEM	DESCRIPTION	PC. NO.	QTY.
D 6-15-92	1	5/16 INSERT	11-1620-04	12
	2	5/16 FLAT WASHER	11-1615-06	12
	3	5/16 LOCK WASHER	11-1618-04	12
	4	5/16-18 X 1 1/4 HHMS	11-1566-07	12
	5	FAST LATCH SCREW BAG	11-A-1821-01	1
	6	ID CARD	31-1160-02	1
	7			
	8			
	9			
	10			
	11			
	12			
	13			
	14			
	15			
	16			
	17			
	18			
	19			
	20			
	21			
	22			
	23			
	24			
	25			
	26			
	27			
	28			
	29			
	30			
	31			
	32			
	33			
	34			
	35	For use in adapting Series 6 Mounting Kits to be used		
	36	in Series 5 type panel construction.		
	37	Series 5 construction has .406 dia. holes in interior		
	38	horizontal bus.		
	39			
	40	(1) Use 5/16-18 insert in bus being certain that the		
	41	flange on insert is pulled up flush with back of		
	42	bus bar.		
	43	(2) Drill out appropriate holes in branch bus minimum		
	44	of .344 dia. to accommodate 5/16-18 bolts.		

Revisions O: 681
 1: 1B-362 6-5-92
 2: 1B-359 11-11-92
 3: 1C-286 4-19-99

Chk DSH 6-5-92
 By RM 6-15-83

Confidential - Property of
Siemens Industry, Inc.
 Norcross, GA

SERIES 5 ADAPTOR KIT 11-5570-02
 Dwg No. 11-5570-02
 Title Sht. 1 Of 1 Rev. 3

FOR USE WITH JD2, JJ6, JL6, HJ6 FRAME ON SERIES 5 OR 6 DISTRIBUTION SECTIONS, CDP-5, CDP-6, VB-5, VB-6, FCI, FCII, SB1, SB2 & SB3.

IF EXISTING EQUIPMENT IS TYPE CDP-6, VB-6, FCI OR FCII THE VERTICAL BUS WILL BE PRE-PUNCHED WITH .228 DIAMETER HOLES. IN THESE CASES USE SERIES 6 BRANCH BUS PARTS LIST ON REVERSE SIDE.

CAT. NO. 6JJ62