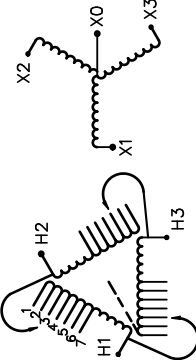


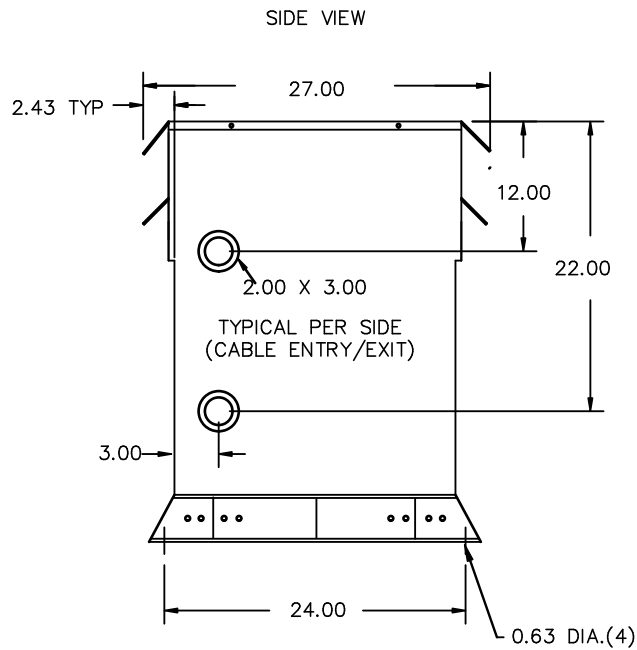
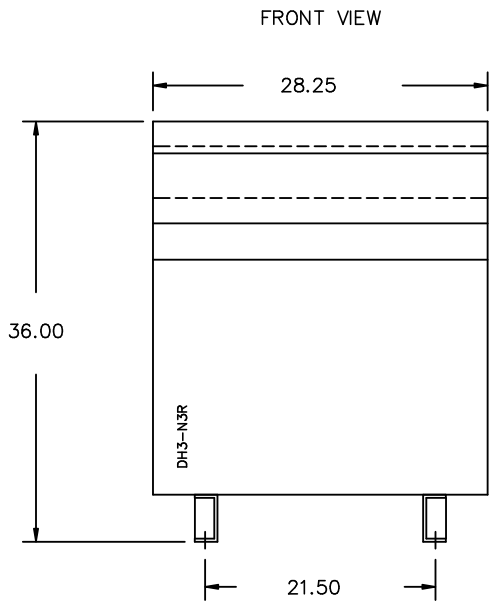
| | | | | |
|----------|------|---------|----------|----|
| REVISION | DATE | BY | DATE | BY |
| | | DRAWN | 15/11/09 | JW |
| | | CHEK'D | | |
| | | VERIF'D | | |

| | |
|---|------------|
| Confidential - Property of Siemens Industry, Inc. | |
| CUSTOMER | |
| ORDER NO. | DWG. NO. |
| | 3F3Y112D16 |
| | SH 1 OF 2 |

SIEMENS

| | | |
|---|--|---|
| <p>CATALOG NO. 3F3Y112D16</p> <p>SERIAL NO. SERIES H</p> <p>112.5 kVA 60 Hz 3 PHASE</p> <p>5.5 % IMP AT 170 °C</p> <p>150 °C RISE 30 °C AVG. AMBIENT</p> <p>220 °C TEMP CLASS 40 °C MAX. AMBIENT</p> <p>PRIMARY (H1 H2 H3) 480V V 10 kV BIL</p> <p>SECONDARY(X0 X1 X2 X3) 208Y/120V V 10 kV BIL</p> <p>WINDING MATERIAL AL</p> <p>ENCLOSURE TYPE 3R WEIGHT 685 LBS</p> <p>ENERGY EFFICIENCY EXCEEDS CSA DOE 10 CFR PART 431:2016 C802.2-2012</p> <p>SPACINGS BETWEEN ANY VENTILATED ENCLOSURE PANEL AND ANY ADJACENT WALL SHALL BE A MINIMUM OF 5 INCHES EXCEPT WHEN WALL MOUNTED USING APPROVED WALL MOUNTING KIT</p> <p>SUITABLE FOR INDOOR OR OUTDOOR LOCATIONS BEFORE HANDLING, INSTALLING AND OPERATING; SEE INSTRUCTION MANUAL</p> <p>NEMA Class ANN Dry Type Transformer Siemens Industry, Inc. Norcross, GA <small>dsu0086e</small></p> |  <p>VOLTS CONNECT</p> <p>504 492 480 468 456 444 432</p> <p>1 2 3 4 5 6 7</p> | <p>TYPE K</p> <p>DRY TYPE TRANSFORMER 77UL E112313 LR 3902</p> <p>LISTED</p> <p>SEISMIC QUALIFICATIONS, FLOOR MOUNT ONLY OSP-0136-10 IBC 2012/ASCE 7-10 SDS<=2.0g z/h=1 p=1.5</p> |
|---|--|---|





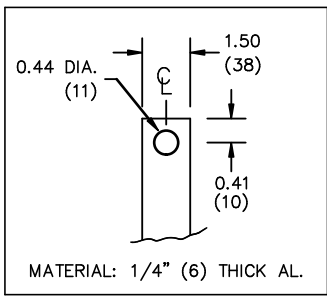
All Dimensions in inches

ENCLOSURE COLOR :ANSI 61 GREY – OUTDOOR

H.V.1. TERMINAL DETAIL

L.V.1. TERMINAL DETAIL

MECHANICAL TYPE LUGS INCLUDED
SUITABLE FOR 250MCM-6 CU/AL
CONDUCTORS
1 CONDUCTOR PER PHASE



- CUSTOMER NOTES:
- HV1 TERMINATED AT TOP FRONT
 - LV1 TERMINATED AT BOTTOM FRONT

Confidential – Property of
Siemens Industry, Inc.

| REVISION | DATE | BY | DATE | BY |
|----------|------|----|----------|----|
| | | | 15/11/09 | JW |
| | | | | |
| | | | | |

| | |
|-----------|------------|
| CUSTOMER | |
| ORDER NO. | DWG. NO. |
| | 3F3Y112D16 |
| | SH 2 OF 2 |

0.0 jwen 2016/09/29 10:03