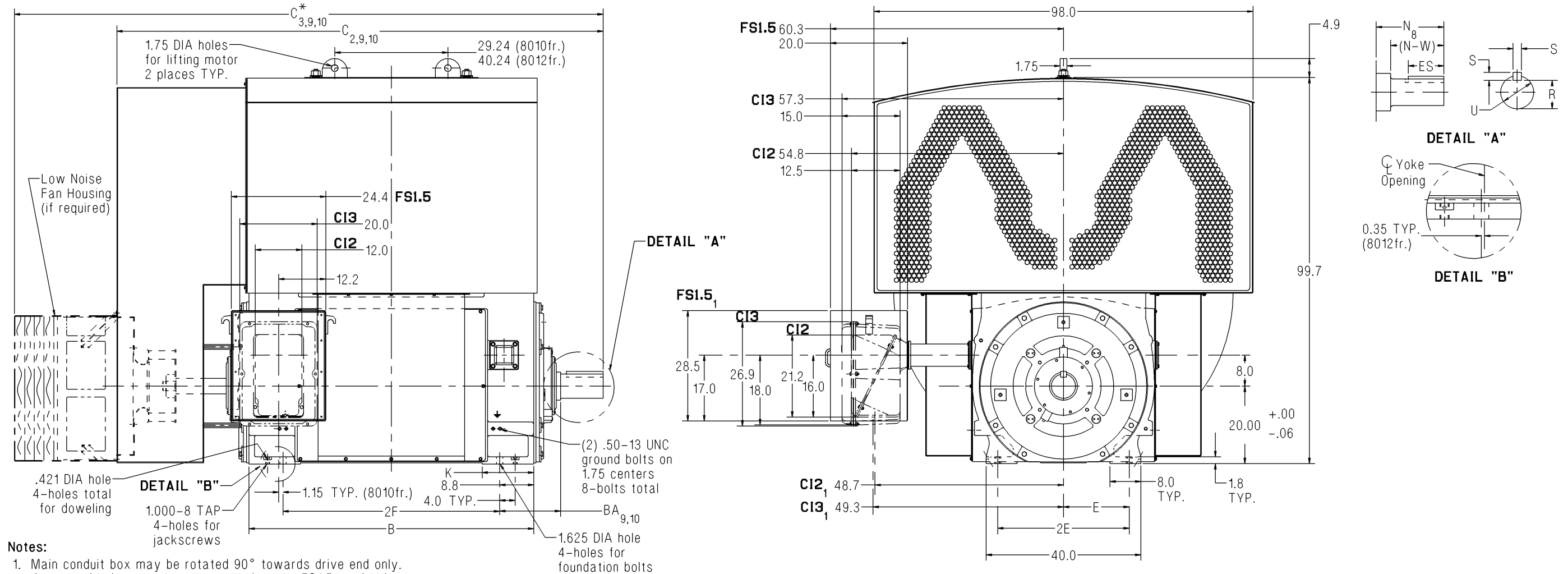


# SIEMENS

## Type CAZ – Horizontal – TEAAC with Shaft Mounted Fan Anti-Friction Bearing – Direct Connected Frames 8010 / 8012 – 4 Pole & Slower – Rotatable Main Conduit Box

### Dimension Prints for Above NEMA Motors



#### Notes:

- Main conduit box may be rotated 90° towards drive end only. A removable bottom plate is supplied on the FS1.5 conduit box. A 5.0 N.P.T. is supplied on the CI2 and CI3 conduit boxes. A 16.0" spacer is supplied on both frames for all rotatable conduit boxes.
- C = Length of motor from drive end of shaft to end of non-drive end of motor.
- C\* = Length of motor from drive end of shaft to end of low noise fan housing.
- V = (N-W)-0.25" = length of shaft available for coupling.
- Machines rotate in one direction only.
- Shims may be necessary under motor feet for direct connection.
- Short shaft is for direct connection.
- Adding a rotating labyrinth seal to the drive end does decrease N by:  
4 Pole: 0.55" 6 Pole & Slower: 0.55"
- Adding a ground brush increases BA, C, and C\* by:  
4 Pole: 2.50" 6 Pole & Slower: 2.50"
- Adding a ground brush with rotating labyrinth seal increases BA, C, and C\* by:  
4 Pole: 2.75" 6 Pole & Slower: 2.75"
- Approximate Ship Weight is based on standard aluminum cooling tubes.

#### Standard Dimensions in Inches

| Shaft | Frame | Speed           | B    | BA <sub>9,10</sub> | C <sub>2,9,10</sub> | C* <sub>3,9,10</sub> | E    | 2F   | K    | N <sub>8</sub> | (N-W) | R     | S    | U     | V <sub>4</sub> | ES  | Approx. Ship Wt. (Lbs) <sub>11</sub> |
|-------|-------|-----------------|------|--------------------|---------------------|----------------------|------|------|------|----------------|-------|-------|------|-------|----------------|-----|--------------------------------------|
| Short | 8010  | 4 Pole          | 73.6 | 15.75              | 125.7               | 152.2                | 17.0 | 56.0 | 13.3 | 12.10          | 11.0  | 5.408 | 1.50 | 6.250 | 10.75          | 9.5 | 23000                                |
| Short | 8010  | 6 Pole & Slower | 73.6 | 15.75              | 125.7               | 152.2                | 17.0 | 56.0 | 13.3 | 12.10          | 11.0  | 5.408 | 1.50 | 6.250 | 10.75          | 9.5 | 22400                                |
| Short | 8012  | 6 Pole & Slower | 88.6 | 15.75              | 140.8               | 167.2                | 17.0 | 71.0 | 14.8 | 12.10          | 11.0  | 5.408 | 1.50 | 6.250 | 10.75          | 9.5 | 27400                                |

Certification: Customer \_\_\_\_\_ P.O. \_\_\_\_\_ S.O. \_\_\_\_\_ Item \_\_\_\_\_  
 HP \_\_\_\_\_ RPM \_\_\_\_\_ Frame \_\_\_\_\_ PH/HZ/Volts 3/\_\_\_\_\_/\_\_\_\_\_  
 By \_\_\_\_\_ Date \_\_\_\_\_ Terminal Box Size CI2  CI3  FS1.5   
 Comments \_\_\_\_\_  
 Not for construction, installation or application purposes unless certified.

CAZ\_800\_4plusPL\_AF\_R0T  
 Revision 01  
 01/21/09