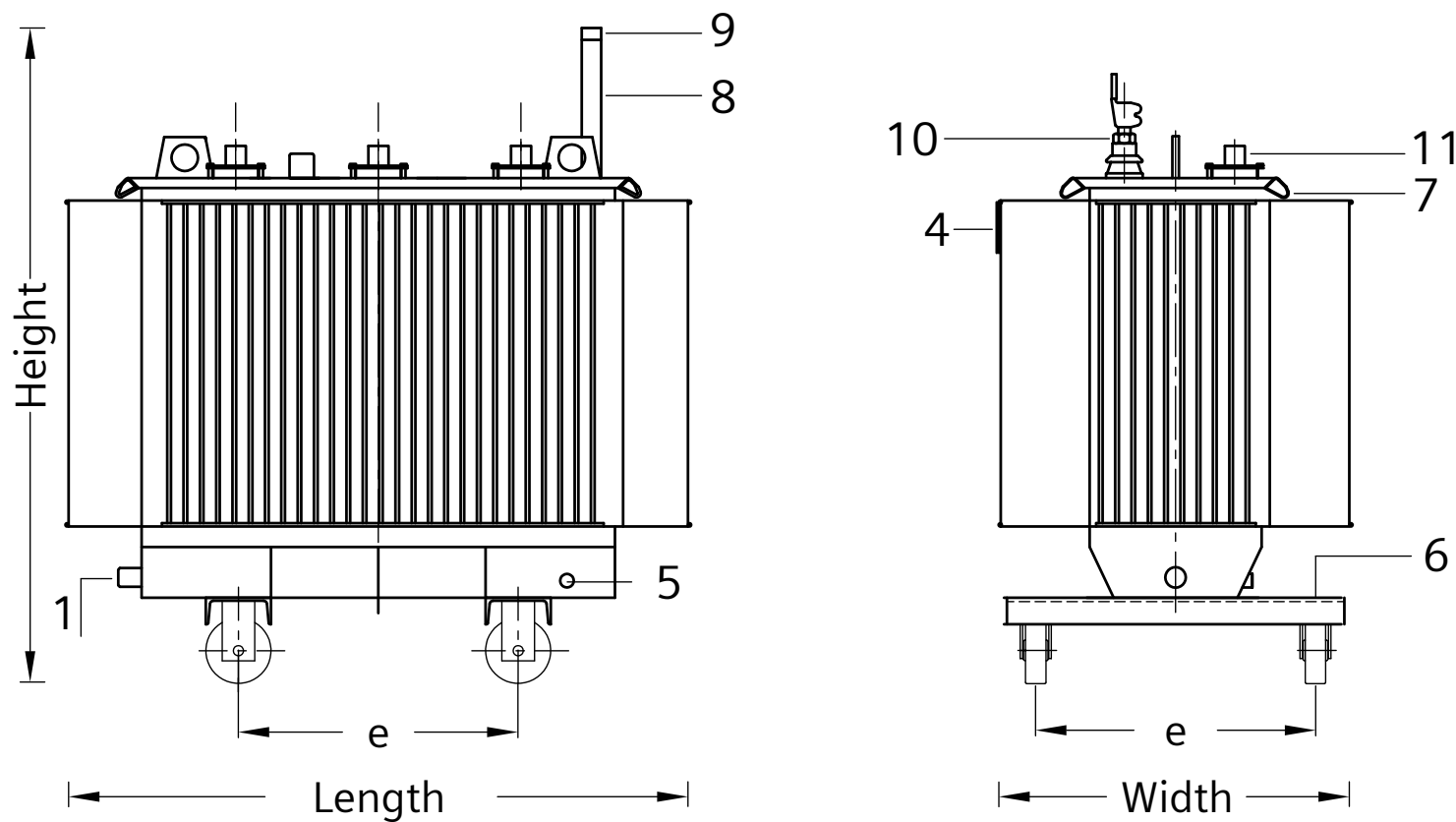


**Planning data for oil-immersed transformers FITformer®**

Loss series EN 50588-1, IEC TS 60076-20 level 2	Rated power  $S_r$ in kVA	Transformation ratio  $U_1$ OS / US in V	Connection	Rated short-circuit voltage  $u_{kr}$ %	Losses  $P_0$ in W	Losses  $P_{k75}$ in W	Length  in mm	Width  in mm	Height  in mm	Weight total (with oil)  in kg	Noise $L_{WA}$  in dB	Noise $L_{PA}$ 1 m  in dB	Order code
AA <sub>0</sub> - A <sub>k</sub>	100	10,000 ± 2 × 2.5 % / 400	Dyn5	4	130	1,250	1,150	700	1,400	850	40	30	4HB5044-4CA05
AA <sub>0</sub> - A <sub>k</sub>	100	20,000 ± 2 × 2.5 % / 400	Dyn5	4	130	1,250	1,150	700	1,400	850	40	30	4HB5067-4CA05
AA <sub>0</sub> - A <sub>k</sub>	160	10,000 ± 2 × 2.5 % / 400	Dyn5	4	189	1,750	1,150	800	1,500	1,200	43	32	4HB5244-4CA05
AA <sub>0</sub> - A <sub>k</sub>	160	20,000 ± 2 × 2.5 % / 400	Dyn5	4	189	1,750	1,150	800	1,500	1,200	43	32	4HB5267-4CA05
AA <sub>0</sub> - A <sub>k</sub>	250	10,000 ± 2 × 2.5 % / 400	Dyn5	4	270	2,350	1,250	800	1,600	1,500	46	33	4HB5444-4CA05
AA <sub>0</sub> - A <sub>k</sub>	250	20,000 ± 2 × 2.5 % / 400	Dyn5	4	270	2,350	1,250	800	1,600	1,500	46	33	4HB5467-4CA05
AA <sub>0</sub> - A <sub>k</sub>	400	10,000 ± 2 × 2.5 % / 400	Dyn5	4	387	3,250	1,350	850	1,600	1,900	49	36	4HB5644-4CA05
AA <sub>0</sub> - A <sub>k</sub>	400	20,000 ± 2 × 2.5 % / 400	Dyn5	4	387	3,250	1,350	850	1,600	1,900	49	36	4HB5667-4CA05
AA <sub>0</sub> - A <sub>k</sub>	630	10,000 ± 2 × 2.5 % / 400	Dyn5	4	540	4,600	1,450	950	1,800	2,600	51	37	4HB5844-4CA05
AA <sub>0</sub> - A <sub>k</sub>	630	20,000 ± 2 × 2.5 % / 400	Dyn5	4	540	4,600	1,450	950	1,800	2,600	51	37	4HB5844-4CA05
AA <sub>0</sub> - A <sub>k</sub>	800	10,000 ± 2 × 2.5 % / 400	Dyn5	6	585	6,000	2,000	1,200	2,000	3,500	52	38	4HB5944-4DA05
AA <sub>0</sub> - A <sub>k</sub>	800	20,000 ± 2 × 2.5 % / 400	Dyn5	6	585	6,000	1,650	1,200	1,900	3,400	52	38	4HB5967-4DA05
AA <sub>0</sub> - A <sub>k</sub>	1,000	10,000 ± 2 × 2.5 % / 400	Dyn5	6	693	7,600	2,100	1,200	2,000	4,500	54	40	4HB6044-4DA05
AA <sub>0</sub> - A <sub>k</sub>	1,000	20,000 ± 2 × 2.5 % / 400	Dyn5	6	693	7,600	1,700	1,200	1,950	3,800	54	40	4HB6067-4DA05
AA <sub>0</sub> - A <sub>k</sub>	1,250	10,000 ± 2 × 2.5 % / 400	Dyn5	6	855	9,500	2,100	1,200	2,000	4,500	55	41	4HB6144-4DA05
AA <sub>0</sub> - A <sub>k</sub>	1,250	20,000 ± 2 × 2.5 % / 400	Dyn5	6	855	9,500	1,950	1,200	2,000	4,000	55	41	4HB6167-4DA05
AA <sub>0</sub> - A <sub>k</sub>	1,600	10,000 ± 2 × 2.5 % / 400	Dyn5	6	1,080	12,000	2,100	1,250	2,000	4,600	57	43	4HB6244-4DA05
AA <sub>0</sub> - A <sub>k</sub>	1,600	20,000 ± 2 × 2.5 % / 400	Dyn5	6	1,080	12,000	2,100	1,250	2,100	4,800	57	43	4HB6267-4DA05
AA <sub>0</sub> - A <sub>k</sub>	2,000	10,000 ± 2 × 2.5 % / 400	Dyn5	6	1,305	15,000	2,100	1,400	2,100	5,100	59	45	4HB6344-4DA05
AA <sub>0</sub> - A <sub>k</sub>	2,000	20,000 ± 2 × 2.5 % / 400	Dyn5	6	1,305	15,000	2,100	1,400	2,100	5,000	59	45	4HB6367-4DA05
AA <sub>0</sub> - A <sub>k</sub>	2,500	10,000 ± 2 × 2.5 % / 400	Dyn5	6	1,575	18,500	2,300	1,500	2,300	6,200	62	47	4HB6444-4DA05
AA <sub>0</sub> - A <sub>k</sub>	2,500	20,000 ± 2 × 2.5 % / 400	Dyn5	6	1,575	18,500	2,300	1,400	2,200	6,000	62	47	4HB6467-4DA05

Notes: All data without engagement; subject to change without prior notice; weight and dimension are approximate data for planning tasks - in the event of an order, deviations are possible (06/20)



e (100 - 250 kVA)	520 mm	1	Drain valve
e (400 - 800 kVA)	670 mm	4	Rating plate (removeable)
e (1,000 - 1,600 kVA)	820 mm	5	Earthing terminal
e (2,000 - 2,500 kVA)	1,070 mm	6	Towing lug $\varnothing = 31$ mm
		7	Lashing lug
Wheels (optional) 90° convertible		8	Filling tube
		9	Closing screw
		10	LV bushing
		11	HV bushing

Measurements are not binding, we reserve the right to change construction details