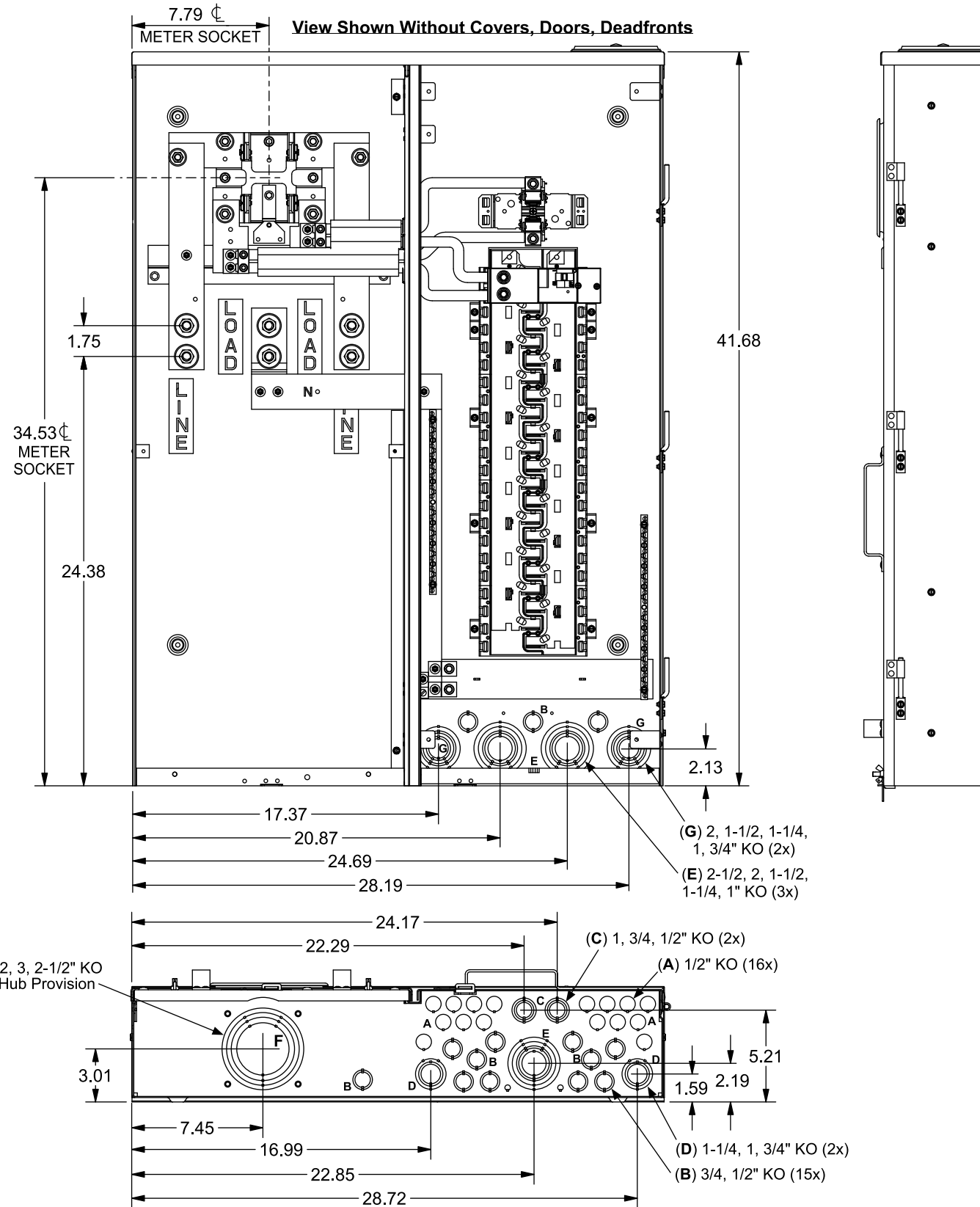
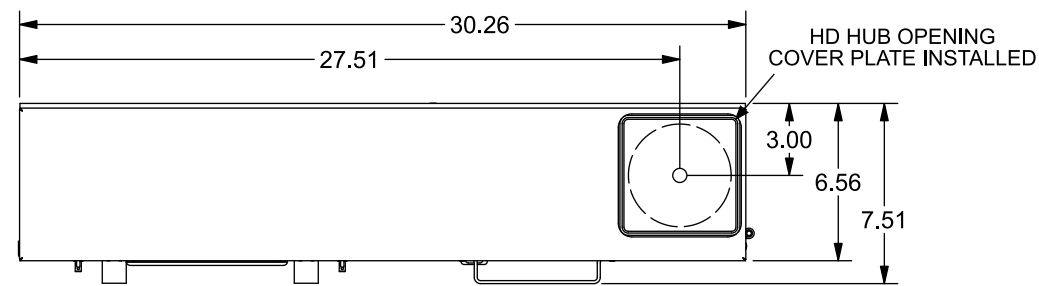
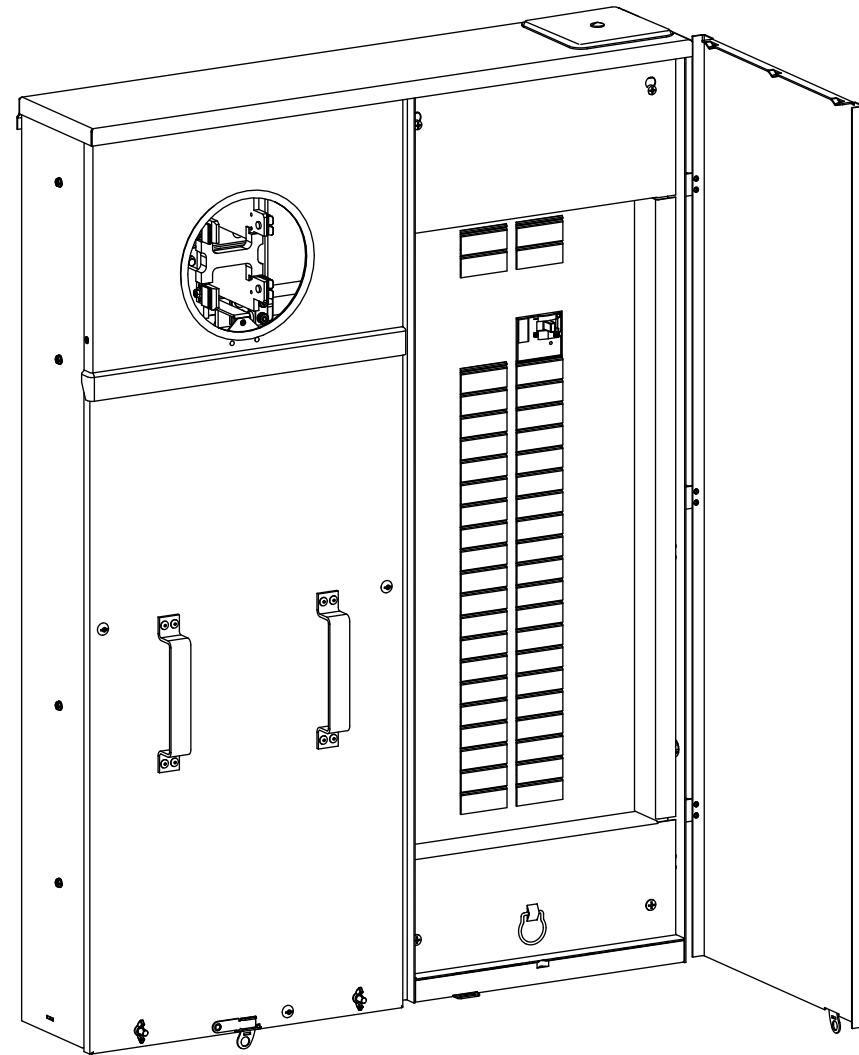


# Catalog Number: MC4040B1400SD



## Features and Ratings

- Outdoor Enclosure (NEMA Type 3R)
- Ring Type Meter Cover, No Bypass
- Meter Socket Rating: 320A Continuous, 400A Max.
- Panelboard Rating: 400A Max, 1 Phase, 3 Wire, 120/240V~
- (40) 1" Breaker Spaces, (40) Circuits Max.
- 22,000 AIC Max. Rated  
(See Wiring Diagram for Details)
- Underground Service Only
- Surface Mounting
- Uses HD Type Hubs
- Complies with EUSERC Dwg. No. 302A



## Accessories

If hub is required, use Type HD catalog numbers listed below:

Trade size (in)	Catalog No.
2"	EC56854
2 1/2"	EC56855
3"	EC56856
3 1/2"	EC56857
4"	EC56858
Closure Plate	EC56933S

**Accessories:**

Filler Plate	QF3 or ECQF3
200 Amp Main Breaker	QN2200RH
150 Amp Main Breaker	QN2150RH
Flush Rail Kit	ECFRK2
Mechanical Interlock	ECQML12
Standby Interlock Kit	ECSBP005
Standby Interlock Kit	ECSBP007
LUG #6-350 kcmil	SUK350TA
LUG #2-600 kcmil	SUK600TA
LUG 500-1000 kcmil	SUK1000TA
LUG KIT #2-2/0	ECLK2125
LUG KIT #8-2/0	ECLK2150
LUG KIT #2-300kcmil (200A MAX)	ECLK2225

## Torques & Wire Sizes

### Load, Neutral and Ground Terminals

Terminal	Wire Size	Torque
A, B, N		
SUK350TA	(2) #6-350 kcmil	275 lb-in
SUK600TA	#2-600 kcmil	375 lb-in
SUK1000TA	500-1000 kcmil	500 lb-in
N1	300 kcmil - #4	250 lb-in
G1	2/0 - #14	50 lb-in
Branch Breaker Terminals	See Markings on Breaker	
<b>NEUTRAL/EQUIP GROUND BAR</b>		
Small Terminals	10 - 14 AWG	20 lb-in
	8 AWG	25 lb-in
	6 AWG	35 lb-in
Large Terminals	10 - 14 AWG	35 lb-in
	8 AWG	40 lb-in
	1/0 - 6 AWG	45 lb-in

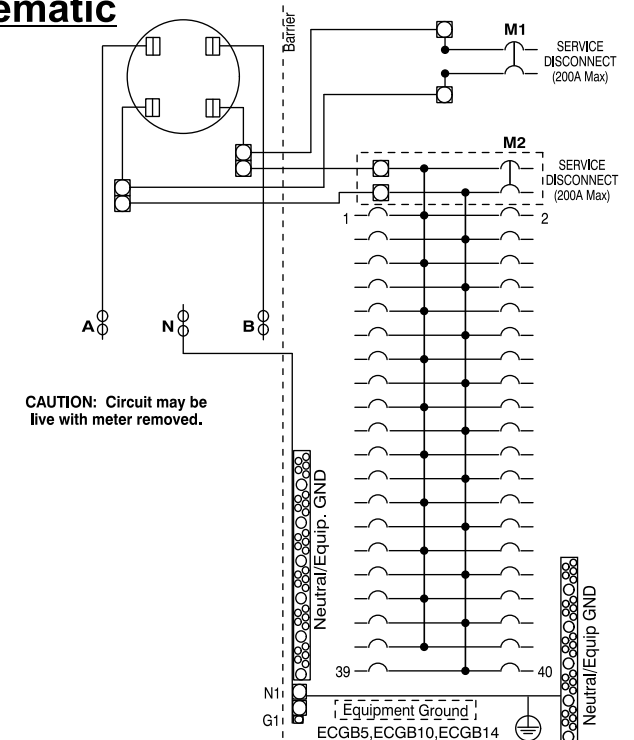
### Tightening Torques:

5/16" Nuts(1/2" Drive).....130-140 in-lbs  
 3/8" Nuts(9/16" Drive).....240-260 in-lbs  
 1/2" Nuts(3/4" Drive) .....490-540 in-lbs

Terminal	Wire Size	Torque
<b>NEUTRAL/EQUIP GND*</b>		
Small Terminals	(2) #12-14 CU	20 lb-in
	(2) #12 AL	20 lb-in
Large Terminals	(2 or 3) #12-14 CU	35 lb-in
	(2 or 3) #10-12 AL	35 lb-in
	(2) #10 CU	35 lb-in
	(3) #10 CU	50 lb-in
<b>EQUIPMENT GROUND BAR</b>		
ECGB Series	(1, 2 or 3) #14 CU	20 lb-in
	(1 or 2) #10-12 AL/CU	20 lb-in
	#8 AL/CU	25 lb-in
	#6 - 4 AL/CU	35 lb-in

\*Only Equipment Ground Terminals may use more than one wire per terminal.

## Schematic



© 2017 Copyright Siemens Industry, Inc.

**SIEMENS**  
Siemens Industry, Inc.

## Combination Metering

Description: **400A Max, 40 Pos/40 Ckts Max, Outdoor, UG, Surf Mount, No Bypass**

KAM 3/15/17 Fam . DO NOT SCALE DRAWING Dwg. No. **MC4040B1400SD**