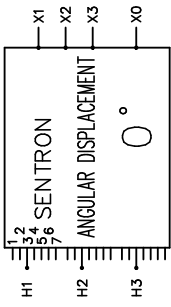


| REVISION | DATE     | BY | DATE     | BY |
|----------|----------|----|----------|----|
|          |          |    | 16/03/04 | LC |
|          |          |    |          |    |
| 1        | 17/01/27 | LC |          |    |

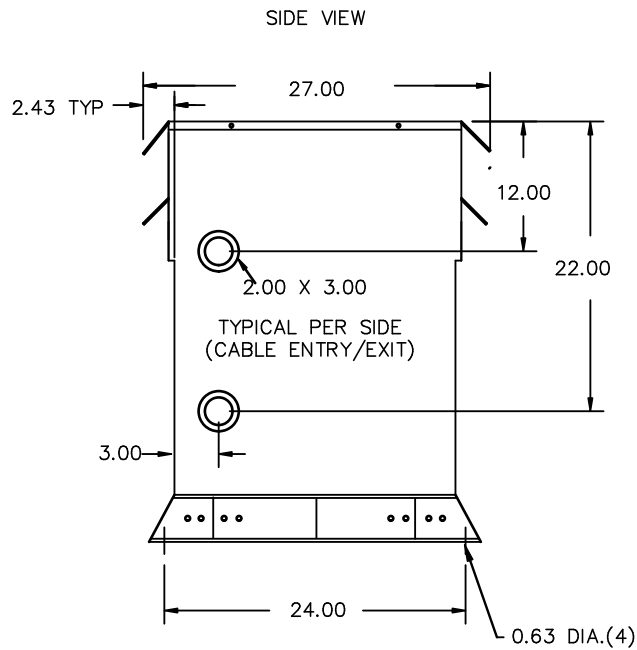
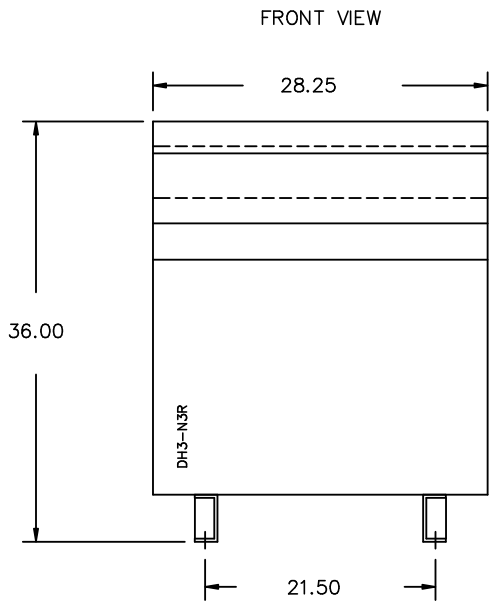
|                                                             |              |           |
|-------------------------------------------------------------|--------------|-----------|
| Confidential - Property of<br><b>Siemens Industry, Inc.</b> |              |           |
| CUSTOMER                                                    |              |           |
| ORDER NO.                                                   | DWG. NO.     | 1         |
|                                                             | 3F3Y075HD100 | SH 1 OF 3 |

# SIEMENS

|                                                                                                                                                                                                                                                                                                                                                                                                                                                                                                                                                                                                                                                                                                                                                                                                                                                                                                     |                                                                                                                                                                                                                                                                                                                                                                                                             |     |   |     |   |     |   |     |   |     |   |     |   |     |   |                                                                                                                                                                                                 |
|-----------------------------------------------------------------------------------------------------------------------------------------------------------------------------------------------------------------------------------------------------------------------------------------------------------------------------------------------------------------------------------------------------------------------------------------------------------------------------------------------------------------------------------------------------------------------------------------------------------------------------------------------------------------------------------------------------------------------------------------------------------------------------------------------------------------------------------------------------------------------------------------------------|-------------------------------------------------------------------------------------------------------------------------------------------------------------------------------------------------------------------------------------------------------------------------------------------------------------------------------------------------------------------------------------------------------------|-----|---|-----|---|-----|---|-----|---|-----|---|-----|---|-----|---|-------------------------------------------------------------------------------------------------------------------------------------------------------------------------------------------------|
| <p>CATALOG NO. 3F3Y075HD100</p> <p>SERIAL NO. SERIES H</p> <p>75 kVA 60 Hz 3 PHASE</p> <p>5.1 % IMP AT 170 °C</p> <p>150 °C RISE 3 °C AVG. AMBIENT</p> <p>220 °C TEMP CLASS 40 °C MAX. AMBIENT</p> <p>PRIMARY ( H1 H2 H3 ) 480 V 10 kV BIL</p> <p>SECONDARY ( X1 X2 X3 ) 208Y/120 V 10 kV BIL</p> <p>NEUTRAL ( X0(200%) ) V</p> <p>WINDING MATERIAL AL</p> <p>ENCLOSURE TYPE 3R WEIGHT 655 LBS</p> <p>ENERGY EFFICIENCY EXCEEDS NEMA TPI-2002 DOE 10 CFR PART 431:2016</p> <p>SPACINGS BETWEEN ANY VENTILATED ENCLOSURE PANEL AND ANY ADJACENT WALL SHALL BE A MINIMUM OF 5 INCHES EXCEPT WHEN WALL MOUNTED USING APPROVED WALL MOUNTING KIT ELECTROSTATIC SHIELD</p> <p>SUITABLE FOR INDOOR OR OUTDOOR LOCATIONS BEFORE HANDLING, INSTALLING AND OPERATING; SEE INSTRUCTION MANUAL</p> <p>NEMA Class ANN Dry Type Harmonic Mitigating Transformer Siemens Industry, Inc. Norcross, GA 6840703e</p> |  <p>ANGULAR DISPLACEMENT 0°</p> <p>VOLTS CONNECT</p> <table style="width: 100%;"> <tr><td>504</td><td>1</td></tr> <tr><td>492</td><td>2</td></tr> <tr><td>480</td><td>3</td></tr> <tr><td>468</td><td>4</td></tr> <tr><td>456</td><td>5</td></tr> <tr><td>444</td><td>6</td></tr> <tr><td>432</td><td>7</td></tr> </table> | 504 | 1 | 492 | 2 | 480 | 3 | 468 | 4 | 456 | 5 | 444 | 6 | 432 | 7 | <p>TYPE K</p> <p>UL LISTED</p> <p>DRY TYPE TRANSFORMER 7705 E112313 LR 3902</p> <p>SEISMIC QUALIFICATIONS, FLOOR MOUNT ONLY<br/>OSP-0136-10 IBC 2012/ASCE 7-10<br/>SDS&lt;=2.0g z/h=1 p=1.5</p> |
| 504                                                                                                                                                                                                                                                                                                                                                                                                                                                                                                                                                                                                                                                                                                                                                                                                                                                                                                 | 1                                                                                                                                                                                                                                                                                                                                                                                                           |     |   |     |   |     |   |     |   |     |   |     |   |     |   |                                                                                                                                                                                                 |
| 492                                                                                                                                                                                                                                                                                                                                                                                                                                                                                                                                                                                                                                                                                                                                                                                                                                                                                                 | 2                                                                                                                                                                                                                                                                                                                                                                                                           |     |   |     |   |     |   |     |   |     |   |     |   |     |   |                                                                                                                                                                                                 |
| 480                                                                                                                                                                                                                                                                                                                                                                                                                                                                                                                                                                                                                                                                                                                                                                                                                                                                                                 | 3                                                                                                                                                                                                                                                                                                                                                                                                           |     |   |     |   |     |   |     |   |     |   |     |   |     |   |                                                                                                                                                                                                 |
| 468                                                                                                                                                                                                                                                                                                                                                                                                                                                                                                                                                                                                                                                                                                                                                                                                                                                                                                 | 4                                                                                                                                                                                                                                                                                                                                                                                                           |     |   |     |   |     |   |     |   |     |   |     |   |     |   |                                                                                                                                                                                                 |
| 456                                                                                                                                                                                                                                                                                                                                                                                                                                                                                                                                                                                                                                                                                                                                                                                                                                                                                                 | 5                                                                                                                                                                                                                                                                                                                                                                                                           |     |   |     |   |     |   |     |   |     |   |     |   |     |   |                                                                                                                                                                                                 |
| 444                                                                                                                                                                                                                                                                                                                                                                                                                                                                                                                                                                                                                                                                                                                                                                                                                                                                                                 | 6                                                                                                                                                                                                                                                                                                                                                                                                           |     |   |     |   |     |   |     |   |     |   |     |   |     |   |                                                                                                                                                                                                 |
| 432                                                                                                                                                                                                                                                                                                                                                                                                                                                                                                                                                                                                                                                                                                                                                                                                                                                                                                 | 7                                                                                                                                                                                                                                                                                                                                                                                                           |     |   |     |   |     |   |     |   |     |   |     |   |     |   |                                                                                                                                                                                                 |



3F3Y075HD100



All Dimensions in inches

ENCLOSURE COLOR :ANSI 61 GREY – OUTDOOR

H.V.1. TERMINAL DETAIL

L.V.1. TERMINAL DETAIL

MECHANICAL TYPE LUGS INCLUDED  
SUITABLE FOR #2/0-14 CU/AL  
CONDUCTORS  
1 CONDUCTOR PER PHASE

MECHANICAL TYPE LUGS INCLUDED  
SUITABLE FOR 600MCM-2 CU/AL  
CONDUCTORS  
1 CONDUCTOR PER PHASE

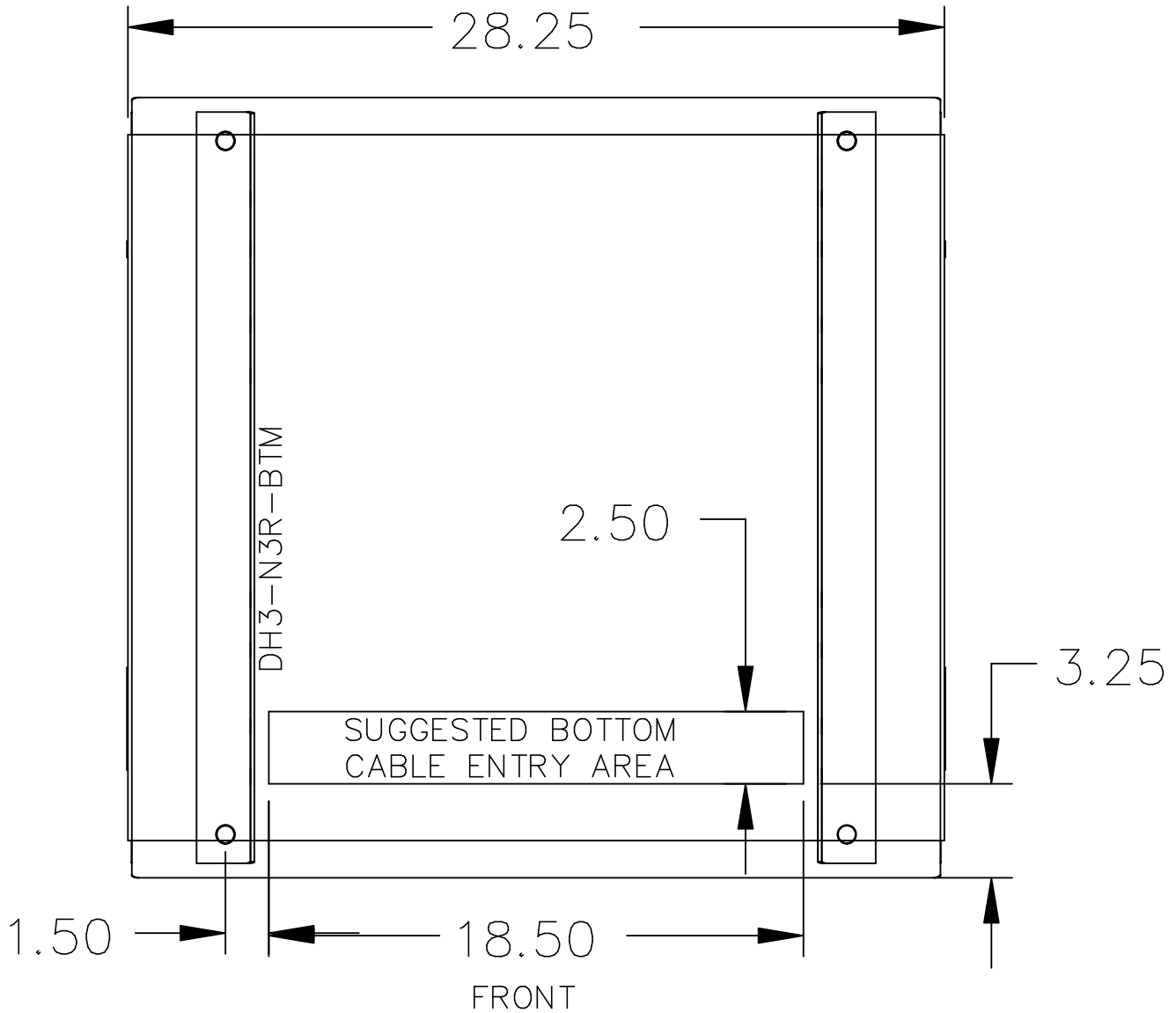
CUSTOMER NOTES:  
- HV1 TERMINATED AT BOTTOM FRONT  
- LV1 TERMINATED AT TOP FRONT  
200% RATING NEUTRAL

Confidential – Property of  
**Siemens Industry, Inc.**

| REVISION | DATE     | BY     | DATE     | BY |
|----------|----------|--------|----------|----|
|          |          | DRAWN  | 16/03/04 | LC |
|          |          | CHEK'D |          |    |
| 1        | 17/01/27 | LC     | VERIF'D  |    |

|           |              |           |
|-----------|--------------|-----------|
| CUSTOMER  |              |           |
| ORDER NO. | DWG. NO.     | 1         |
|           | 3F3Y075HD100 | SH 2 OF 3 |

1.0 Icem 2017/01/27 15:53



NOTE:  
 WHEN BOTTOM CABLE ENTRY IS OPTED, THE SPACE USED FOR CONDUITS IN THE FRONT OF THE TRANSFORMER SHOULD NOT OBSTRUCT MORE THAN 50% OF THE FRONT AIR INTAKE AREA DEFINED BETWEEN THE BOTTOM PLATE AND THE SUPPORTING LEGS. SEE MANUAL FOR ADDITIONAL INFORMATION

Confidential - Property of  
 Siemens Industry, Inc.

| REVISION | DATE     | BY | DATE     | BY |
|----------|----------|----|----------|----|
|          |          |    | 16/03/04 | LC |
|          |          |    |          |    |
| 1        | 17/01/27 | LC |          |    |

|           |              |           |
|-----------|--------------|-----------|
| CUSTOMER  |              |           |
| ORDER NO. | DWG. NO.     | 1         |
|           | 3F3Y075HD100 | SH 3 OF 3 |