

SIEMENS

Rainproof Meter Module

Catalog Number
WML11400RJH

Enclosure
Type 3R

Ratings: Main Bus Rating: 1200 Amps.
120/240 Volts AC, 1 Phase, 3 Wire.
208Y/120 Volts AC (5th jaw may be required)

Meter Socket Rating: 320 Amps. Continuous

Branch Rating: 400 Amps Max.

Suitable For Use As Service Equipment when used in combination with Siemens Modular Terminal Box Series WMTB, WTB, or WET and no more than six main disconnecting means are provided.

For installation by a qualified person, in accordance with all local electrical codes and/or the National Electrical Code®.

Terminals:

Use Copper or Aluminum Wire at all panel terminals. Suitable for 60°/75°C Conductors. See breaker markings for wire size and torque requirements.

Ground Terminal:

Wire Size #4-300 kcmil. Torque to 250 lb.-ins.

Neutral Terminal:

Wire Size (1) or (2) 3/0-500 kcmil CU, (1) or (2) 4/0-500 kcmil AL. Torque to 300 lb.-ins.

General Information:

See enclosed instruction sheet for information on mounting units.

Circuit breaker overload trip position is indicated by handle position midway between ON and OFF. To reset, move handle to OFF position then turn ON.

Short Circuit Rating: (Watt-hour meter not included in short circuit current rating). This panelboard has a maximum short circuit current rating of 35,000 Amps RMS symmetrical, 240V AC with Siemens type CJD6-A breaker installed. Use only non-interchangeable trip breaker types.

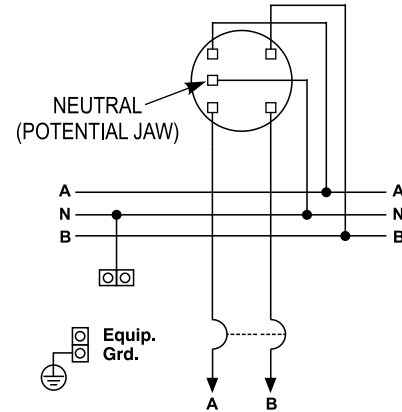
Warning: This equipment has been designed for use only with circuit breakers listed above. Use of other circuit breakers in this equipment could result in personal injury or property damage and will void the warranty.

Important: Do not allow petroleum based (hydrocarbon) sprays, chemicals, solvents or any paint to contact interior components. Petroleum based chemicals can cause degradation of electrical insulating materials.

Siemens Industry, Inc. Norcross, Georgia U.S.A. **DH1** 40901224 0101 Rev.A

© The National Electrical Code is a registered trademark of the National Fire Protection Association.
© 2014 Copyright Siemens Industry, Inc.

SIEMENS



Siemens Accessories

Breaker Lug Kit (factory installed) . LK12500 (kit includes 3 lugs)

Alternate Breaker Lug Kit LK11750 - (1) 500-750 kcmil, Torque 500 lb.-in. (kit includes 3 lugs)

Connect Modules Using:	Cat. No.	Torque
Quick Connect	QC1	400-440 lb-in (35-36 ft.-lb.)

IMPORTANT:

Module For Use With Siemens Series#

- Main Breakers (W)MC, WB, WEB, WXB
- Switches. WMP, WMS, WS, WES
- Tap/Terminal Boxes . . . WMTB, WTB, WET, WT_PU
- Pull Boxes WMMB
- Meter Module. (W)MM, WxMM, (W)MT, (W)ML, (W)MK, (W)MLZ(F)
- Meter Combinations . . WC, WCL, WCT
- Extension Box WMEX, WSP, WSPD
- Bussed Elbow BE

Use HD Type Hubs if required

Trade Size (in)	Catalog No.
2"	EC56854
2-1/2"	EC56855
3"	EC56856
3-1/2"	EC56857
4"	EC56858
Closure Plate.	EC56933S

Siemens Industry, Inc. Norcross, Georgia U.S.A. **DH1** 40901224 0201 Rev.A

© 2014 Copyright Siemens Industry, Inc.