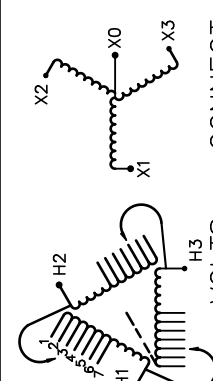




REVISION	DATE	BY	DATE	BY
		DRAWN	04/03/24	JW
		CHEK'D		
		VERIF'D		

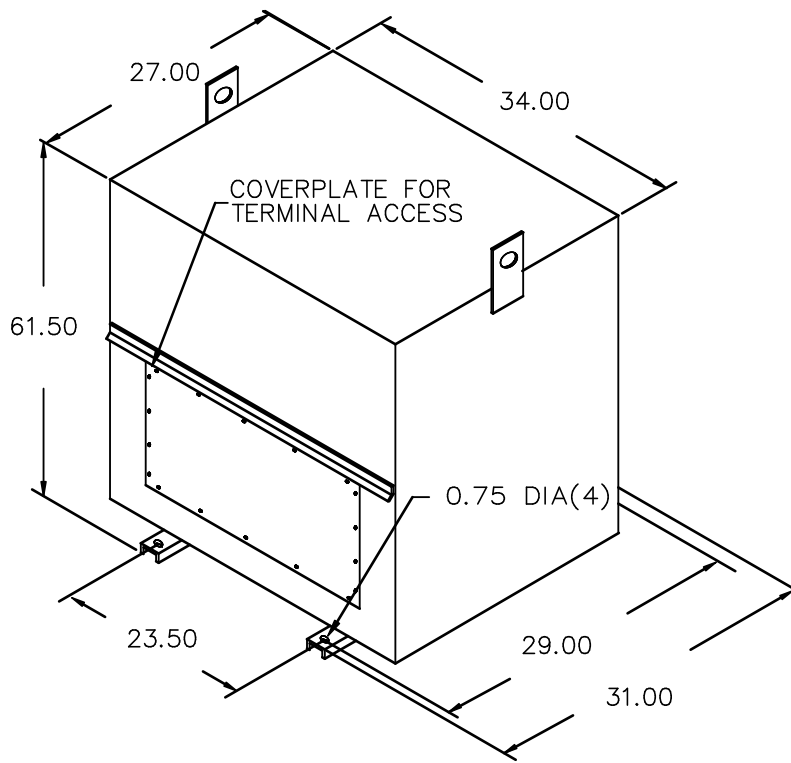
Confidential - Property of Siemens Industry, Inc. Building Technologies Division	
CUSTOMER	
ORDER NO.	DWG. NO.
	3F3Y075FTE
	SH 1 OF 2

SIEMENS

CATALOG NO. 3F3Y075FTE SERIAL NO. 75 kVA 60 Hz 3 PHASE 4 % IMP AT 135 °C 115 °C RISE °C AVG. AMBIENT 220 °C TEMP CLASS °C MAX. AMBIENT PRIMARY (H1 H2 H3) 480V V SECONDARY(X0 X1 X2 X3) 208Y/120V V WINDING MATERIAL AL ENCLOSURE TYPE NEMA-4 WEIGHT 785 LBS ENERGY EFFICIENCY NEMA	 <p style="text-align: center;">CONNECT</p> <p style="text-align: center;">1 2 3 4 5 6 7</p>	<p style="text-align: center;">VOLTS</p> <p style="text-align: center;">504 492 480 468 456 444 432</p> <p style="text-align: center;">TYPE KN</p> <p style="text-align: center;">DRY TYPE TRANSFORMER 77105 LR 3902 E112313</p>  
SPACINGS BETWEEN ENCLOSURE AND ANY ADJACENT WALL SHALL BE A MINIMUM OF 6 INCHES MEETS NEMA TP-1 EFFICIENCY REQUIREMENT		
SUITABLE FOR INDOOR OR OUTDOOR LOCATIONS BEFORE HANDLING, INSTALLING AND OPERATING, SEE INSTRUCTION MANUAL NEMA Class ANC Dry Type Transformer Siemens Industry, Inc. Norcross, GA		



3F3Y075FTE



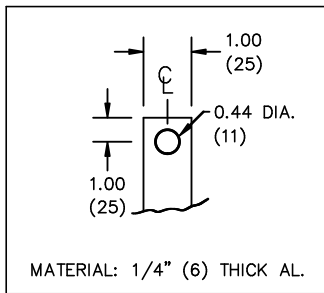
All Dimensions in inches

ENCLOSURE COLOR ANSI 61 GREY – OUTDOOR

H.V.1. TERMINAL DETAIL

L.V.1. TERMINAL DETAIL

MECHANICAL TYPE LUGS INCLUDED
SUITABLE FOR 250MCM-6 CU/AL
CONDUCTORS
1 CONDUCTOR PER PHASE



CUSTOMER NOTES:

- HV1 TERMINATED AT TOP FRONT
- LV1 TERMINATED AT BOTTOM COIL FACE

Confidential – Property of
Siemens Industry, Inc.
Building Technologies Division

REVISION	DATE	BY	DATE	BY
		DRAWN	04/03/24	JW
		CHEK'D		
		VERIF'D		

CUSTOMER	
ORDER NO.	DWG. NO. 3F3Y075FTE
SH 2 OF 2	