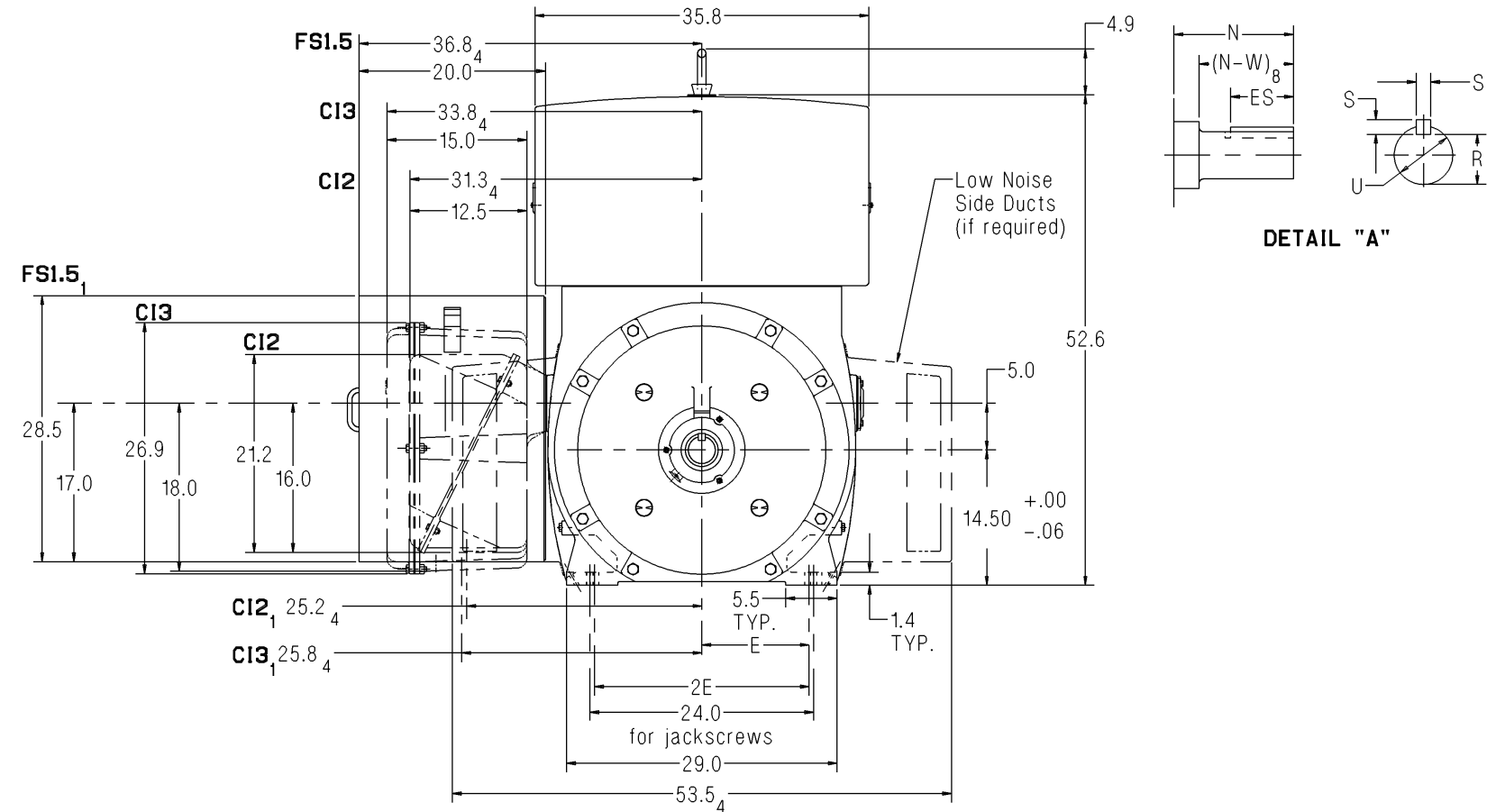
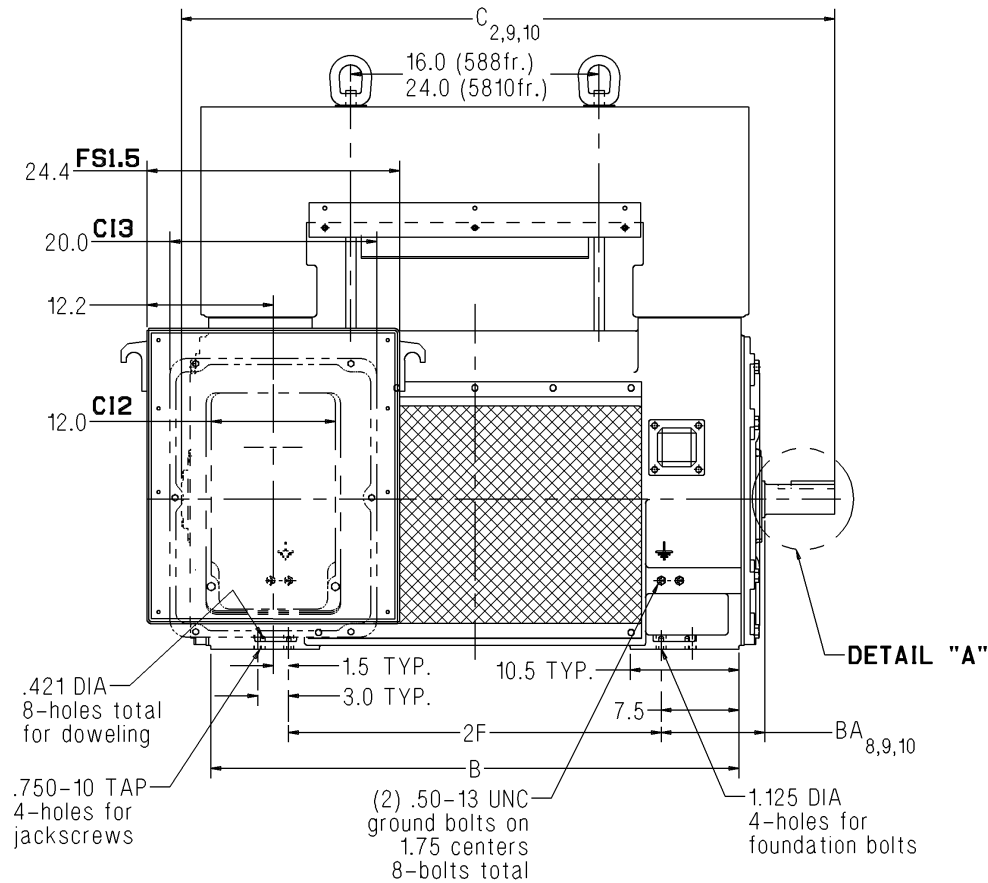


SIEMENS

Dimension Prints for Above NEMA Motors

Type CG – Horizontal – Open Drip Proof / Weather Protected Type I
Anti-Friction Bearing
Frames 588 / 5810 – 6 Pole & Slower – Rotatable Main Conduit Box



Notes:

- Main conduit box may be rotated in steps of 90°. A removable bottom plate is supplied on the FS1.5 conduit box. A 5.0 N.P.T. is supplied on the CI2 and CI3 conduit boxes.
- C = Length of motor from drive end of shaft to end of non-drive end of motor.
- V = (N-W)-0.25" = length of shaft available for coupling. Note: When adding a rotating labyrinth seal, (N-W) will change so V will change accordingly.
- Adding the low noise side duct requires a 10.75" spacer for all rotatable conduit boxes. All associated rotatable conduit box dimensions will change accordingly.
- Machines may rotate in either direction.
- Shims may be necessary under motor feet for direct connection.
- Short shaft is for direct connection. Long shaft may be either belt drive or direct connection depending upon the bearing installed in the motor.
- Adding a rotating labyrinth seal to the drive end increases BA and decreases (N-W) by:
6 Pole & Slower: 0.28" Long Shaft 6 Pole & Slower: 0.28"
- Adding a ground brush increases BA and C by:
6 Pole & Slower: 2.50" Long Shaft 6 Pole & Slower: 2.50"
- Adding a ground brush with rotating labyrinth seal increases BA and C by:
6 Pole & Slower: 2.75" Long Shaft 6 Pole & Slower: 2.75"

Standard Dimensions in Inches

Shaft	Frame	Speed	B	BA _{8,9,10}	C _{2,9,10}	E	2F	N	(N-W) ₈	R	S	U	V ₃	ES	Approx. Ship Wt. (Lbs)
Short	588S	6 Pole & Slower	43.0	10.00	56.4	11.50	28.0	8.25	8.00	3.436	1.000	4.000	7.75	6.0	5100
Short	5810S	6 Pole & Slower	51.0	10.00	64.4	11.50	36.0	8.25	8.00	3.436	1.000	4.000	7.75	6.0	6000
Long	588	6 Pole & Slower	43.0	10.00	63.0	11.50	28.0	14.90	14.62	4.169	1.250	4.875	14.38	13.0	5100
Long	5810	6 Pole & Slower	51.0	10.00	71.0	11.50	36.0	14.90	14.62	4.169	1.250	4.875	14.38	13.0	6000

Certification: Customer _____ P.O. _____ S.O. _____ Item _____
 HP _____ RPM _____ Frame _____ PH/HZ/Volts 3/_____/_____
 By _____ Date _____ Terminal Box Size CI2 CI3 FS1.5
 Comments _____
 Not for construction, installation or application purposes unless certified.

CG_580_6plusPL_AF_ROT
Revision 01
01/27/09