

1000V DC Solar Photovoltaic Switches

Type VBII, 200 Amp, Type 1 (Indoor)

Standards and Ratings

- UL Listed and specifically designed and tested for use on 1000V DC PV circuits
- Switches comply with UL98B requirements and are UL listed in file number E350665, Vol. 1
- Door labeling as required by Article 690 of the NEC supplied as standard
- UL approved for field installation of crimp type terminals
- Rated 10,000 AIC
 - Fusible switches are to be used with 200A max. Littelfuse Type SPFJ PV fuses
 - Non-fusible switches to be protected by 200A max. 1000V DC fuses rated at 10,000 AIC

Features

- Quick make-and-break switching action
- Double break visible blade design
- Highly visible ON/OFF indication
- Rugged installer friendly enclosure design
- Front removable line and load lugs which can be easily converted to compression type lugs
- Defeatable dual cover interlock
- Ground bar factory installed as standard
- Two and three point mounting provisions are standard
- Large wire gutters and lugs allow for 300 MCM cables to minimize voltage drop on long cable runs.

General Information

Catalog Number	Volts DC	Description	Shipping Weight (lbs)	Rated Isc per NEC Article 690
HF1104NPV	1000	1 Pole, 2 Wire Fusible	51	128.0A
HN1104NPV	1000	1 Pole, 2 Wire Non-Fusible	49	160.0A

Accessories

Catalog Number	Description
HA161234	One Normally Open and Closed Auxiliary Switch
HA261234	Two Normally Open and Closed Auxiliary Switches
HA361234	Low Current Auxiliary Switch with Gold Plated Contacts (1 NO, 1 NC)
HSK64SSW	Internal Shield Kit

Replacement Parts

Catalog Number	Description
HH64	Replacement Handle / Handle Guard
HL64	Replacement Lugs (3 lugs per kit)
HM64	Replacement Mechanism

Mechanical Lug Wire Ranges (75°C, Cu)

Description	Wire Range
Line, Load, Neutral	#6 AWG - 300 kcmil
Ground Lug Kit	#14 - 4 AWG

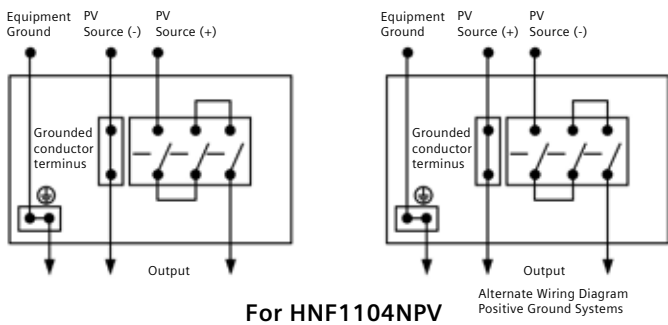
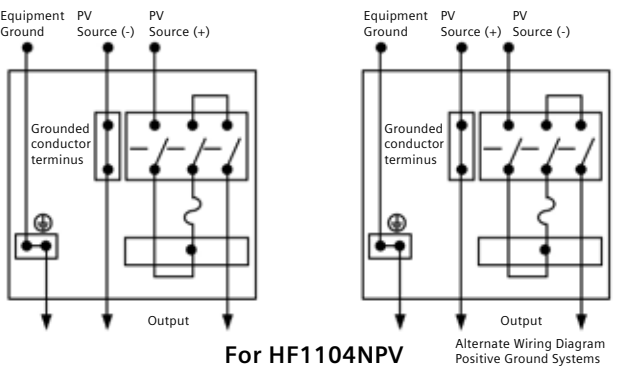
Product Specification Sheet HD200.12

Product Specification Sheet #HD200.12 (page 2 of 2)

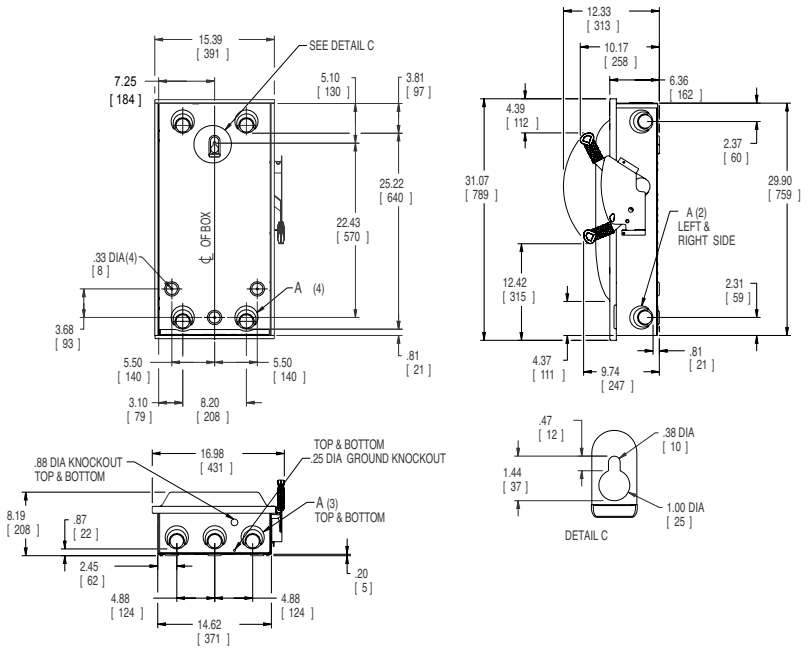
Compression Lugs

Wire Size	Burndy		Thomas-Betts		Ilsco	
	Cu Only	Cu / Al	Cu Only	Cu / Al	Cu Only	Cu / Al
#2	YA2C - L Box	YA2CA1	54142 - TB	60117	CRB - 2	IACL - 2
	YA2C				CRB - 2L	ACN - 2
#1	YA1C - L Box	YA1CA1	54147	60123	CRA - 1 - 3B	ACN - 1
	YA1C		54947BE		CRA - 1L	
1/0	YA25 - L Box	YA25A1	54153 - TB	60129	CRA - 0	IACL - 1/0
	YA25		54949BE	61130	CRA - 1/0L	ACN - 1/0
2/0	YA26 - L3	YA26A6	54158	60135	CRA - 2/0	ACL - 2/0
	YA26		256 - 30695 - 1229 54910BE	61136	CRA - 2/0L	IACL - 2/0
3/0	YA27 - L3	YA27A1	54163 - TB	60141	CRC - 3/0	IACL - 3/0
	YA27			61142	CRB - 3/0L	ACL - 3/0
4/0	YA28 - L3	YA28A1	54168	61148	CRC - 4/0	IACL - 4/0
	YA28 - TC38		256 - 30695 - 1253	60147	CRB - 4/0L	ACL - 4/0
250 kcmil	YA29 - L7		54173	61156	CRA - 250	IACL - 250
300 kcmil				61162	CRA - 250L	

Wiring Diagrams



Dimension Drawing



Enclosure: Cold Rolled Steel
.054 Thick (17 Gauge)
Finish: ANSI Grey #61 Paint

Line Side Wire Bend	Load Side Wire Bend	Knockout Code	Conduit Size			
7.87 (200)	15.84 (402)	A (Tangential)	1.25	1.50	2.00	2.50

Siemens Industry, Inc.
5400 Triangle Parkway
Norcross, GA 30092
1-800-241-4453
info.us@siemens.com

Subject to change without prior notice
Order No.:
Printed in USA
© 2012 Siemens Industry, Inc.

The information provided in this brochure contains merely general descriptions or characteristics of performance which in case of actual use do not always apply as described or which may change as a result of further development of the products. An obligation to provide the respective characteristics shall only exist if expressly agreed in the terms of contract.

All product designations may be trademarks or product names of Siemens AG or supplier companies whose use by third parties for their own purposes could violate the rights of the owners.