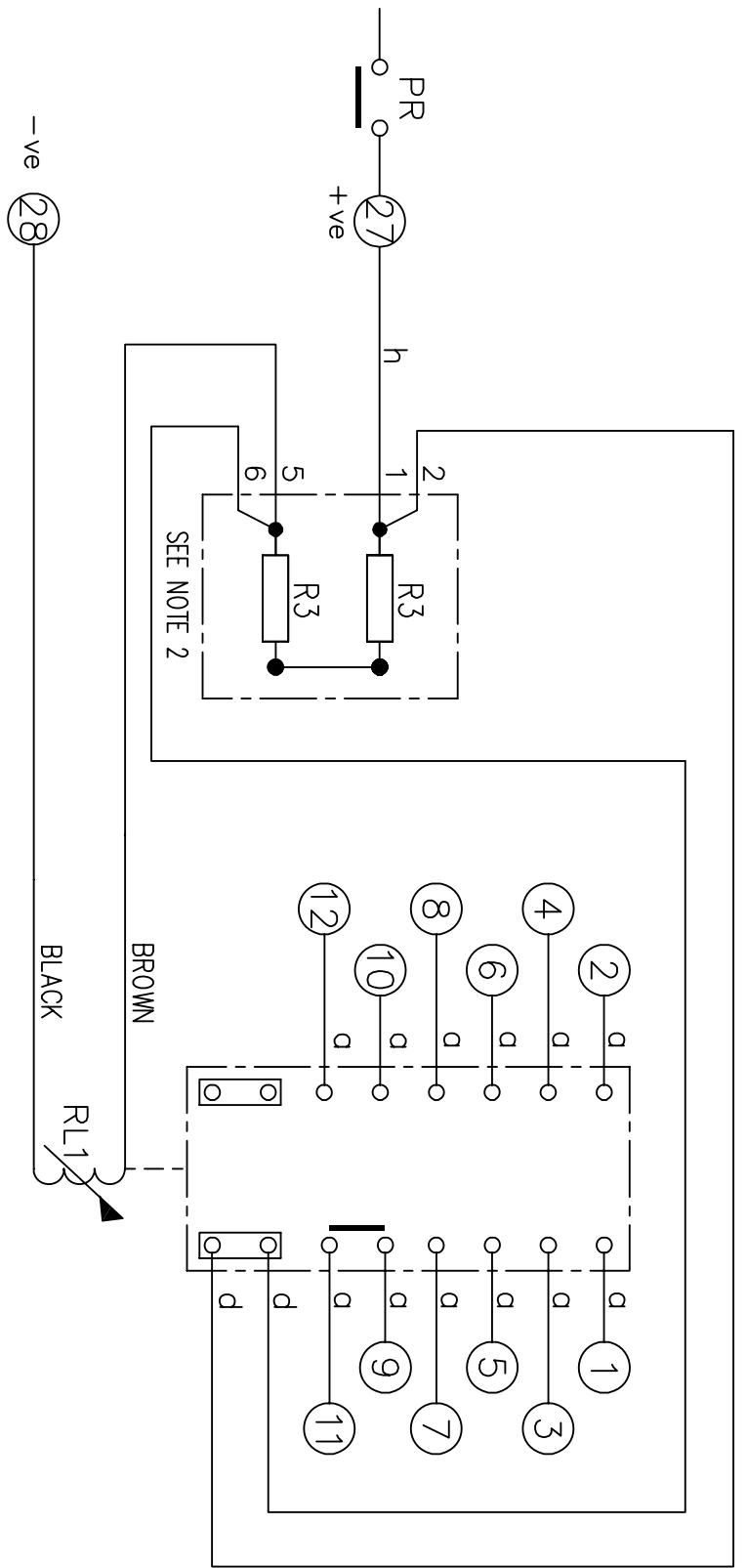
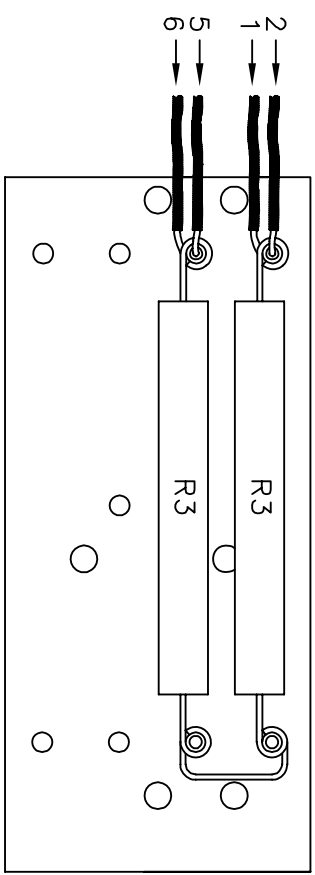


IF IN DOUBT ASK  
DO NOT SCALE

RESISTOR ASSEMBLY AND WIRE INDICATION.



NOTE:  
1. CONTACT CONFIGURATION ABOVE IS REQUIRED FOR RELAY OPERATION.  
FOR DETAILS OF VARIABLE CONTACT OPTIONS SEE TABLE BELOW  
2. WIRE NUMBERS ARE ASSOCIATED WITH RESISTOR ASSEMBLIES OPPOSITE.

ASSEMBLY WIRES USED			
a	2107B10001	12 OFF	
d	2107B10004	2 OFF	
h	2107D10166	1 OFF	VDC

FRAME REFERENCE: E2FAQM.  
FRAME TERMINAL BLOCK ASSY: -

KEY  
○ make contact  
□ break contact  
○ c/o contact  
② ext. conn  
plug bridge  
- shorting  
metering point  
5kV barrier  
test socket  
- shorting  
plug & socket

OUTER TERMINAL BLOCK ASSY: -  
ASSEMBLY INSTRUCTIONS: -  
TYPICAL ASSEMBLY DRAWING 2995G10029.  
AT INDICATED POSITIONS FIT AS FOLLOWS:  
S - FIT STANDARD CONTACT 2995B10051  
HC - FIT 'HEAVY CURRENT' KIT 2995G10030  
WHERE - IS SHOWN FIT CT SHORTING KIT 2995G10031  
POSITIONS SHOWN BLANK ARE UNUSED.  
ALL POSITIONS FIT SCREW 2106F12506.

CONTACT CONFIG.	OUTPUT	CONTACT PAIR	TERMINAL No.
1-3	M	M	1
2-4	M	M	3
5-7	M	M	5
6-8	M	M	7
9-11	M	M	9
10-12	M	M	11
6M	M	M	13
5M	M	M	15
4M	M	M	17
3M	M	M	19
2M	M	M	21
1M	M	M	23
	M	M	25
	M	M	27

MATERIAL:

Dimensions in millimetres : Surface texture in micrometres.

Machine where marked ✓  
For explanation of dimensions, tolerances, notes etc. see B.S.308.  
Limit on untoleranced unmachined dimensions ±  
Limits on untoleranced machined dimensions to B.S.4500:  
i.e. up to 6±0.1; over 30 to 120±0.3; over 315±0.8;  
over 6 to 30±0.2; over 120 to 315±0.5;  
General unmachined angular tolerance ±

Title:

T.B. AND WIRING DIAG. FOR TR212-6 CONTACT  
30V RELAY IN EPSILON E2 CASE

SIEMENS PROTECTION DEVICES LTD.

Copyright © 2012 Siemens Protection Devices Ltd. Hebburn

ISSUE	DATE	NOTED
2	26/07/13	MNS3658/112 JB
1	02/02/12	CHANGE

IF IN DOUBT ASK  
Printed on  
04/05/2020 Date

First used on:

Similar Articles: 2112W50213

Supersedes:

Drq. No.

2112W50210