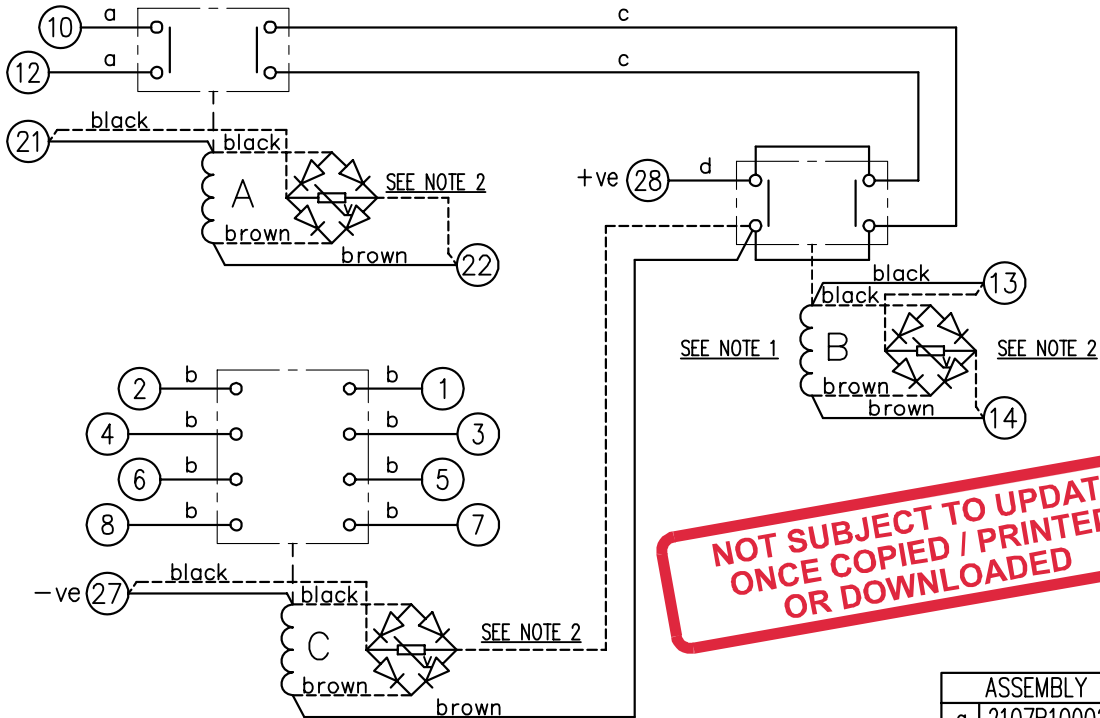


PRINTED ON 11/07/2012
ENSURE CORRECT REVISION
DESTROY AFTER USE

2112W50048

LOOKING ON FRONT OF RELAY



NOT SUBJECT TO UPDATE
ONCE COPIED / PRINTED
OR DOWNLOADED

ASSEMBLY WIRES USED		
a	2107B10002	2 OFF
b	2107B10003	8 OFF
c	2107B10004	2 OFF
d	2107D10161	1 OFF

KEY

- make contact
- break contact
- c/o contact
- ext. conn
- plug bridge - shorting
- metering point
- 5Kv barrier
- test socket - shorting
- plug & socket

COIL 'C'	2112G20336	2112G20222	2112G20225	2112G20225	2112G20225
COIL 'B'	2112G20122	2112G20122	2112G20122	2112G20127	2112G20127
COIL 'A'	2112G20122	2112G20122	2112G20122	2112G20127	2112G20127
VOLTAGE	24	30	50	125	240

CONTACT CONFIG.	OUTPUT CONTACT PAIR / TERMINAL No.					
	1-3	2-4	5-7	6-8	9-11	10-12
4M	M	M	M	M		
3M 1B	M	B	M	M		
2M 2B	B	B	M	M		
1M 3B	B	B	M	B		
4B	B	B	B	B		

NOTE:
1. ELEMENT 'B' IS MOUNTED AT REAR OF CHASSIS.
2. DASHED LINE --- SHOWS CONNECTIONS WHEN RECTIFIERS ARE FITTED, (AC APPLICATIONS ONLY).

FRAME REFERENCE: E3FAQQ.
FRAME TERMINAL BLOCK ASSY: -
ASSEMBLY INSTRUCTIONS: -
TYPICAL ASSEMBLY DRAWING 2995G10032.
AT INDICATED POSITIONS FIT AS FOLLOWS:
T - FIT TRIP ISOLATION CONTACT 2995B10053
S - FIT STANDARD CONTACT 2995B10054
SECURE CONTACTS USING FIXING SCREW 2109F99009.
POSITIONS SHOWN BLANK ARE UNUSED

2	T	T	1
4	T	T	3
6	T	T	5
8	T	T	7
10	T		9
12	T		11
14	S	S	13
16			15
18			17
20			19
22	S	S	21
24			23
26			25
28	S	S	27

VIEW FROM NUMBERED SIDE OF BLOCK

OUTER TERMINAL BLOCK ASSY: -
ASSEMBLY INSTRUCTIONS: -
TYPICAL ASSEMBLY DRAWING 2995G10029.
AT INDICATED POSITIONS FIT AS FOLLOWS:
S - FIT STANDARD CONTACT 2995B10051
HC - FIT 'HEAVY CURRENT' KIT 2995G10030
WHERE IS SHOWN FIT CT SHORTING KIT 2995G10031
POSITIONS SHOWN BLANK ARE UNUSED.
ALL POSITIONS FIT SCREW 2106F12506.

2	S	S	1
4	S	S	3
6	S	S	5
8	S	S	7
10	S		9
12	S		11
14	S	S	13
16			15
18			17
20			19
22	S	S	21
24			23
26			25
28	S	S	27

VIEW FROM INSIDE FACE

Title: T.B. AND W.D. FOR XR350/XR351 RELAYS IN EPSILON E3 CASE.			First used on:	
5 RDW 04/07/12 MN11B/3479			Similar Articles:	
4 10/05/01 MN112/2071			Supersedes:	
ISSUE DATE MOD.No.			Drg.No.	
Reyrolle Protection Hebburn.			2112W50048	
DRAWN: A.LAW. CHECKED:			Original Scale:	
APPROVED: R.D.WATSON			DATE: 16/07/02	
			Copyright © 1998 Reyrolle Ltd.	