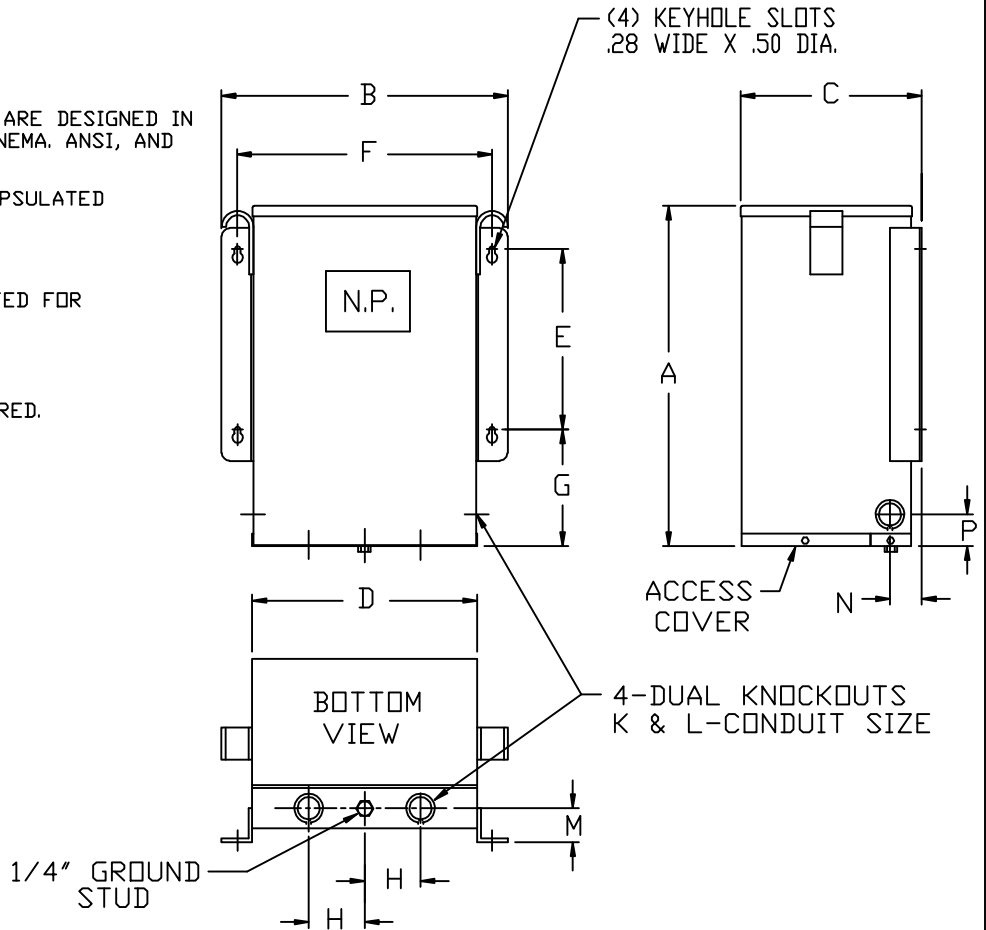


# SIEMENS

## DRY TYPE TRANSFORMERS

**NOTES:**

1. ALL UNITS ARE UL LISTED AND ARE DESIGNED IN ACCORDANCE WITH APPLICABLE NEMA, ANSI, AND IEEE STANDARDS.
2. THESE TRANSFORMERS ARE ENCAPSULATED CONSTRUCTION.
3. TRANSFORMERS ARE 135°C RISE.
4. TRANSFORMERS ARE WALL MOUNTED FOR INDOOR / OUTDOOR USE.
5. PAINT COLOR IS ANSI #61 GRAY.
6. MOUNTING HOLES LOCATIONS.  
1/4" MOUNTING HARDWARE REQUIRED.



DIMENSIONS IN (E)=INCHES & (M)=CENTIMETERS

KVA	TEMP. RISE °C	NET WT. LBS.	A		B		C		D		E		F		G		H		K		L		M		N		P	
			E	M	E	M	E	M	E	M	E	M	E	M	E	M	E	M	E	M	E	M	E	M	E	M	E	M
3	135	82	13.0	33.0	15.0	38.1	8.1	20.5	12.2	30.9	5.2	13.2	13.6	34.5	5.5	13.9	3.0	7.6	3/4	1.9	1.0	2.5	2.0	5.0	2.0	5.0	1.75	4.4
6	135	119	13.0	33.0	15.0	38.1	8.1	20.5	12.2	30.9	5.2	13.2	13.6	34.5	5.5	13.9	3.0	7.6	3/4	1.9	1.0	2.5	2.0	5.0	2.0	5.0	1.75	4.4
7.5	135	157	15.0	38.1	19.0	48.2	9.1	23.1	16.1	40.8	8.2	20.8	17.5	44.4	5.1	12.9	4.0	10.1	3/4	1.9	1.0	2.5	2.0	5.0	2.0	5.0	1.75	4.4
11	135	228	15.0	38.1	19.0	48.2	9.1	23.1	16.1	40.8	8.2	20.8	17.5	44.4	5.1	12.9	4.0	10.1	3/4	1.9	1.0	2.5	2.0	5.0	2.0	5.0	1.75	4.4

KVA	QTY.	CATALOG NO.	VOLTAGE		TAPS	DRAWING
			PRIMARY	SECONDARY		
						<input type="checkbox"/> APPROVAL
						<input type="checkbox"/> RECORD
						<input type="checkbox"/> OTHER

CUST.	DWN. BY:	Siemens Industry, Inc.
	DATE:	
JOB	CHK. BY:	DRIVE ISOLATION TRANSFORMERS
P.O.	DATE:	THREE-PHASE, 600 VOLTS CLASS, 60 HZ.
TIE	APVD. BY:	DWG. NO. <span style="font-size: 1.5em;">J-146</span>
S.O.	DATE:	