

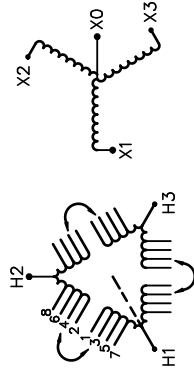
REVISION	DATE	BY	DATE	BY
		DRAWN	16/03/11	PP
		CHEK'D		
		VERIF'D		

Confidential - Property of  
Siemens Industry, Inc.

CUSTOMER	
ORDER NO.	DWG. NO.
	3F3Y225BCLN3D16 SH 1 OF 2

# SIEMENS

CATALOG NO. 3F3Y225BCLN3D16	SERIES H
SERIAL NO.	3 PHASE
225 kVA	60 Hz
3.7 % IMP AT 100 °C	
80 °C RISE	30 °C AVG. AMBIENT
220 °C TEMP CLASS	40 °C MAX. AMBIENT
PRIMARY ( H1 H2 H3 )	480V V 10 kV BIL
SECONDARY( X0 X1 X2 X3 )	208Y/120V V 10 kV BIL
WINDING MATERIAL	CU
ENCLOSURE TYPE 3R	WEIGHT 2050LBS
ENERGY EFFICIENCY EXCEEDS CSA C802.2-2012	DOE 10 CFR PART 431:2016
SPACINGS BETWEEN ANY VENTILATED ENCLOSURE PANEL AND ANY ADJACENT WALL SHALL BE A MINIMUM OF 5 INCHES EXCEPT WHEN WALL MOUNTED USING APPROVED WALL MOUNTING KIT	
SOUND LEVEL IS 3 DB LOWER THAN NEMA ST20 REQUIREMENTS	
SUITABLE FOR INDOOR OR OUTDOOR LOCATIONS BEFORE HANDLING; INSTALLING AND OPERATING; SEE INSTRUCTION MANUAL	
NEMA Class ANN Dry Type Transformer	Siemens Industry, Inc. Norcross, GA



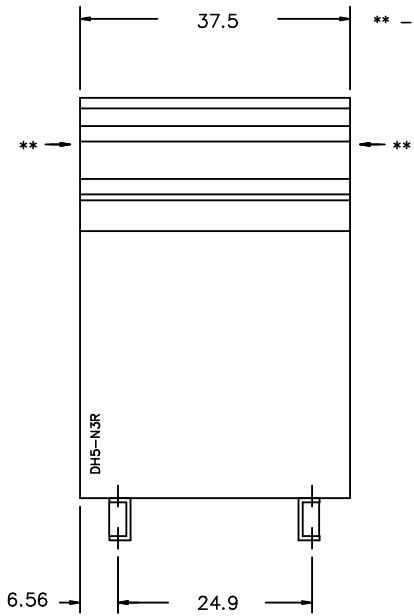
VOLTS	CONNECT
504	1-2
492	2-3
480	3-4
468	4-5
456	5-6
444	6-7
432	7-8



SEISMIC QUALIFICATIONS, FLOOR MOUNT ONLY  
OSP-0136-10 IBC 2012/ASCE 7-10  
SDS<=2.0g z/h=1 p=1.5

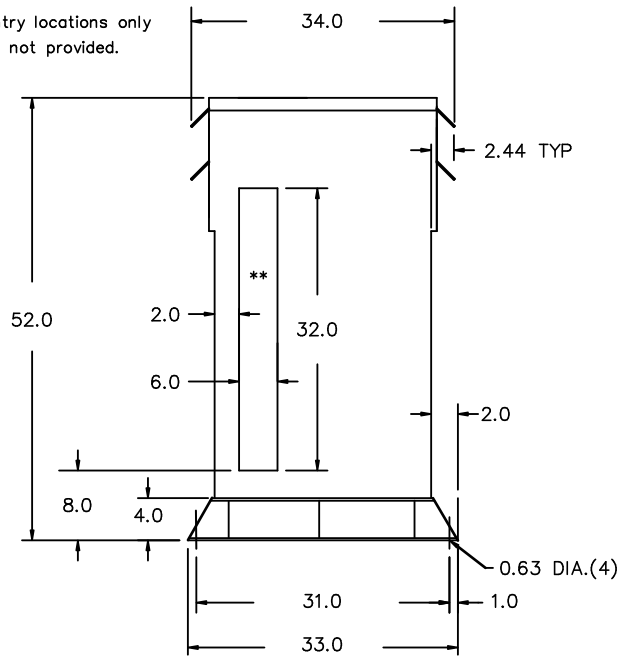


FRONT VIEW



\*\* - Recommended cable entry locations only  
cutouts & gland plates not provided.

SIDE VIEW



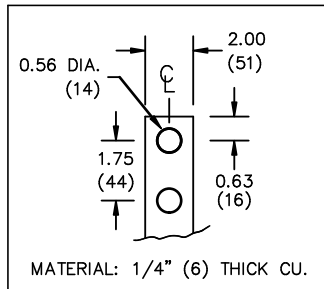
All Dimensions in inches

ENCLOSURE COLOR : ANSI 61 GREY - OUTDOOR

H.V.1. TERMINAL DETAIL

L.V.1. TERMINAL DETAIL

MECHANICAL TYPE LUGS INCLUDED  
SUITABLE FOR 350MCM-6 CU/AL  
CONDUCTORS  
2 CONDUCTORS PER PHASE



CUSTOMER NOTES:

- HV1 TERMINATED AT TOP FRONT
- LV1 TERMINATED AT BOTTOM FRONT

Confidential - Property of  
Siemens Industry, Inc.

REVISION	DATE	BY	DATE	BY
			16/03/11	PP

CUSTOMER	
ORDER NO.	DWG. NO.
	3F3Y225BCLN3D16 SH 2 OF 2