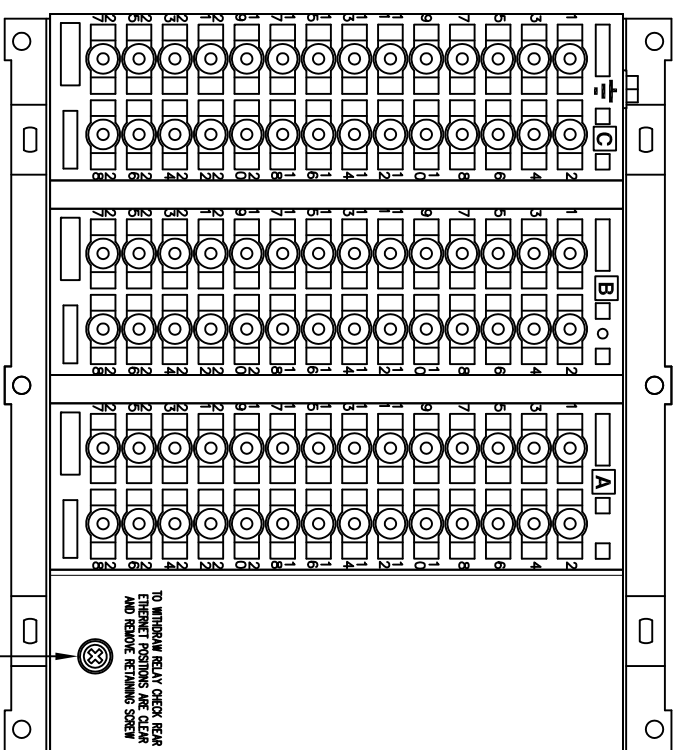
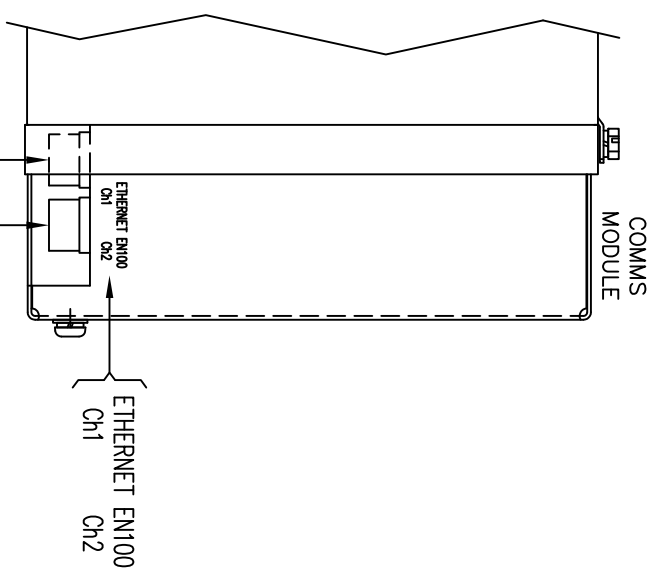


1 IF IN DOUBT ASK
2 DO NOT SCALE



RELAY VIEWED FROM REAR

TO WITHDRAW RELAY CHECK REAR
ETHERNET POSITIONS ARE CLEAR
AND REMOVE RETAINING SCREW



PART SIDE VIEW ON ARROW 'A'

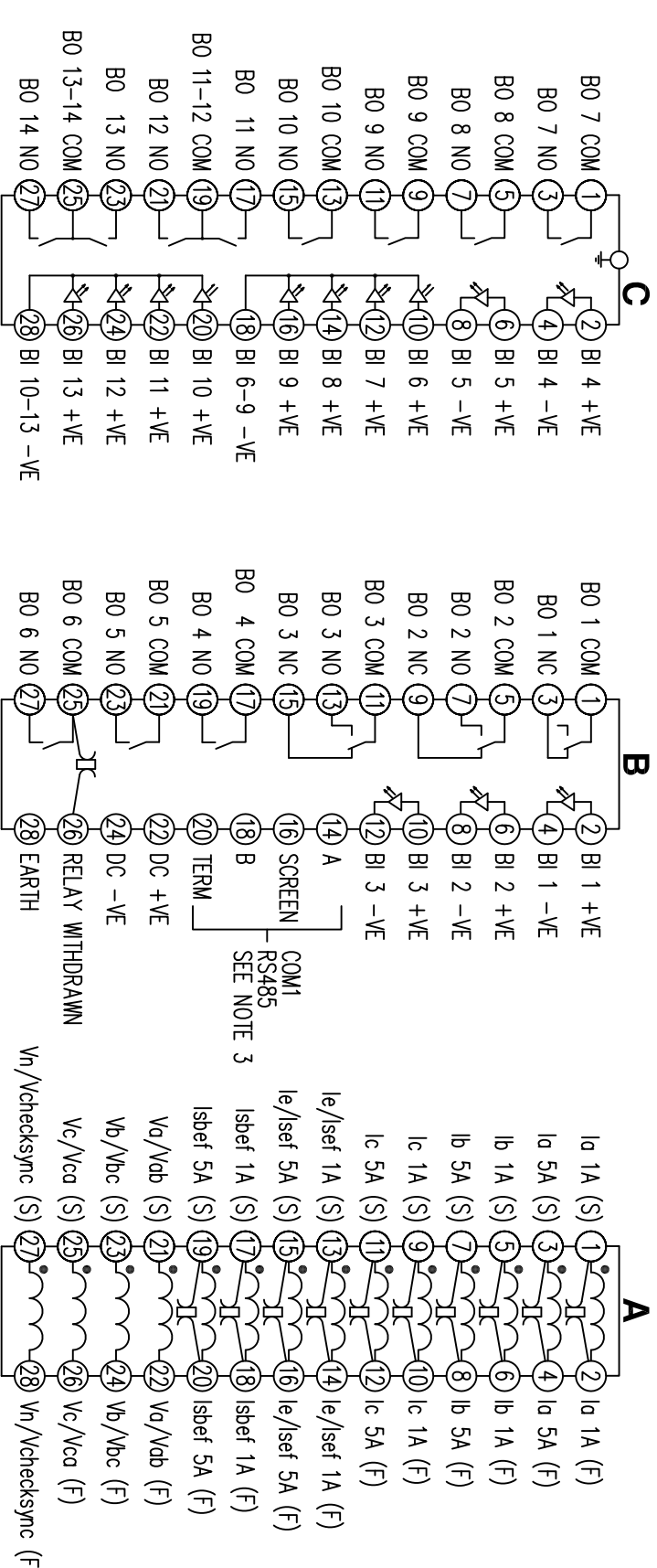
**NOT SUBJECT TO UPDATE
ONCE COPIED / PRINTED
OR DOWNLOADED**

ABBREVIATIONS

I-CURRENT INPUTS
V-VOLTAGE INPUTS
BI-BINARY INPUTS
BO-BINARY OUTPUTS
CO-CHANGE OVER BINARY OUTPUT CONTACTS
NO-NORMALLY OPEN BINARY OUTPUT CONTACTS
NC-NORMALLY CLOSED BINARY OUTPUT CONTACTS

COMMUNICATIONS IDENTIFICATION

COM1	RS485 (ON BLOCK 'B' TERMINALS 14,16,18 & 20)
COM2	USB TYPE'B' PORT (ON RELAY FRONT LABEL)
COM3	ETHERNET(x2) PORTS (ON REAR COMMS MODULE)



Copyright © 2010 Siemens Protection Devices Ltd. Hebburn

MATERIAL:

Dimensions in millimetres : Surface texture in micrometres.
Machine where marked V

For explanation of dimensions, tolerances, notes etc. see B.S.308.
Limit on untoleranced unmachined dimensions ±

Limits on untoleranced machined dimensions to B.S.4500:
i.e. up to 6±0.1; over 30 to 120±0.3; over 315±0.8;
over 6 to 30±0.2; over 120 to 315±0.5;
General unmachined angular tolerance ±

DRAWN K.BURDON CHECKED RD.WATSON APPROVED RD.WATSON

Finish:
Treatment:

Title:
7SR220, E8, TERMINAL ID & WIRING DIAGRAM
5I,4V,13BI,2CO,11NO,1NC, RS485, ETHERNET(x2) PORTS

SIEMENS PROTECTION DEVICES LTD.

Original Scale:
NTS

Drg. No.

2435W40072

3 RDW	18.07.13	RETAINING SCREW POSITION CHANGED.
30/7/13		INA435/3650, 3JH770, KB
2 RDW	19/01/11	SILK SCREENED LEGEND CHANGED. WERE LABELS & LEGEND BLN.3HB, 110119 AND SPDL INA435/3380 KB
1	18/03/10	CHANGE NOTED

First used on:

Similar Articles:

Supersedes:

DATE 19/11/2010 IE OPS PCP Purch.Spec. TQ EAC CE STD A3