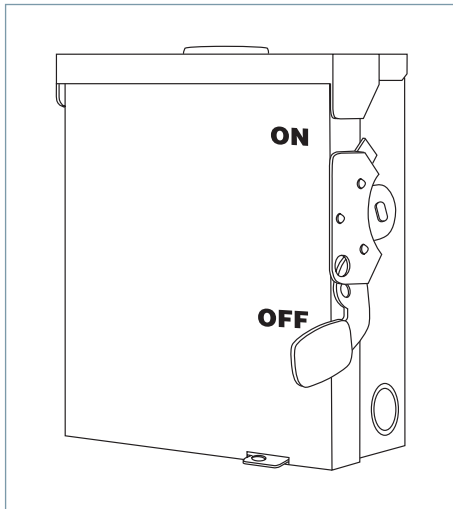


General Duty Safety Switch

60A 240V, Type 3R

Data Sheet



Standards and Ratings

- UL Listed under file #E4776
- Meets UL98 for switches and UL50 for enclosures
- Meets NEMA Standard KS-1 for enclosed switches
- Meets NEC wire bending space requirements
- Suitable for use as service entrance equipment

Features

- Quick-make and break switching action
- Double break visible blade design
- Highly visible ON/OFF indication
- Factory installed ground

Product Specifications

General Duty 60A 240V, Type 3R

General Information

Catalog Number	Description	Shipping Weight
LNF222RL	General Duty Enclosed Switch	4.0

Horsepower Ratings

1 Phase, 120V AC		1 Phase, 240V AC		3 Phase, 240V AC	
Standard	Max	Standard	Max	Standard	Max
-	-	3	10	-	-

Accessories & Hub Kits

Catalog Number	Description
ECHA075 ①	0.75" Type "HA" Outdoor Hub
ECHA100 ①	1.00" Type "HA" Outdoor Hub
ECHA125 ①	1.25" Type "HA" Outdoor Hub
GSGK60 ②	Ground Lug Kit 30-60A

Wire Torque Information

Application	Wire Size	Nominal Torque
Mechanical Lug - Wire Connector	14-10 AWG	20 Lb. In.
	8 AWG	25 Lb. In.
	6-3 AWG	35 Lb. In.
GSGK60 Ground Lug Kit ③	14-10 AWG	35 Lb. In.
	8 AWG	40 Lb. In.
	6 AWG	45 Lb. In.

Mechanical Lug Wire Ranges

Description	Wire Range
Line & Load Terminals ②	14-3 Cu/Al 60°/75° C Wire

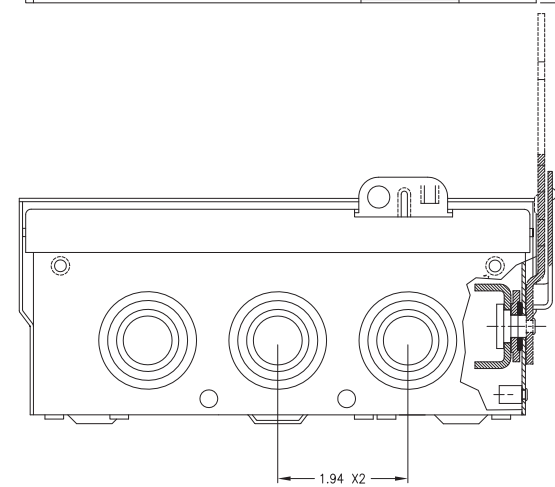
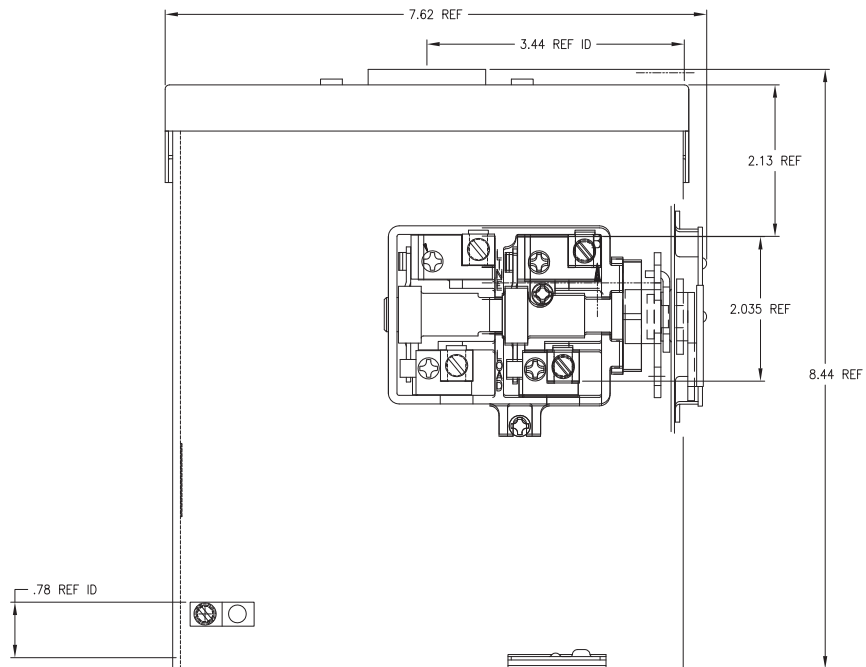
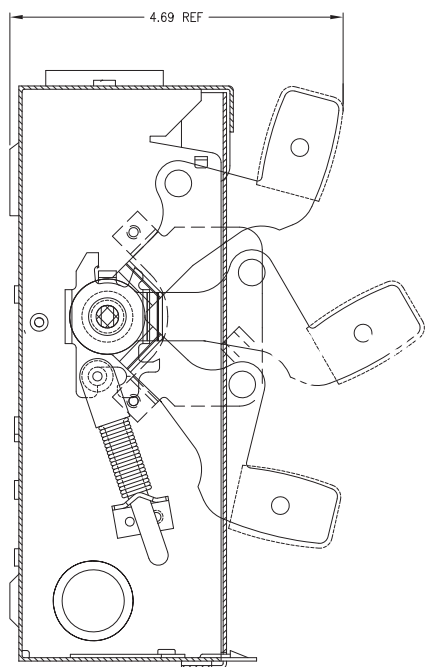
① Use closure plate screws provided to mount hubs.

② See "Wire Torque Information" table for specific wire torque values.

③ Use Cu/Al 60°/75° C Wire.

Dimension Drawing

General Duty 60A 240V, Type 3R



Siemens Industry, Inc.
5400 Triangle Parkway
Norcross, GA 30092

1-800-241-4453
info.us@siemens.com

Order No. SSFL-G623R-0516 | Printed in USA |
© 2016, Siemens Industry, Inc.

www.usa.siemens.com/switches

Subject to changes and errors. The information given in this document only contains general descriptions and/or performance features which may not always specifically reflect those described, or which may undergo modification in the course of further development of the products. The requested performance features are binding only when they are expressly agreed upon in the concluded contract.