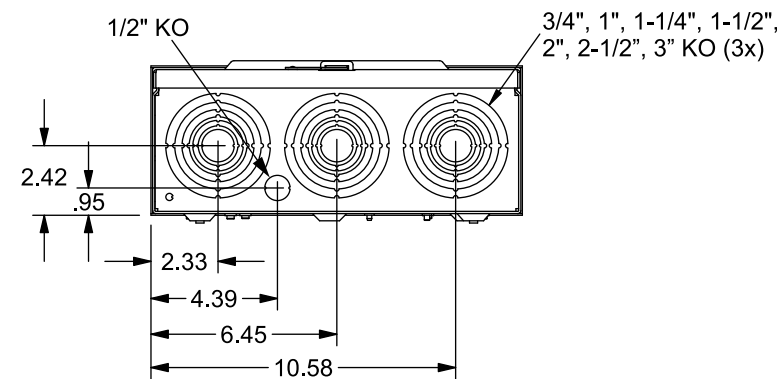
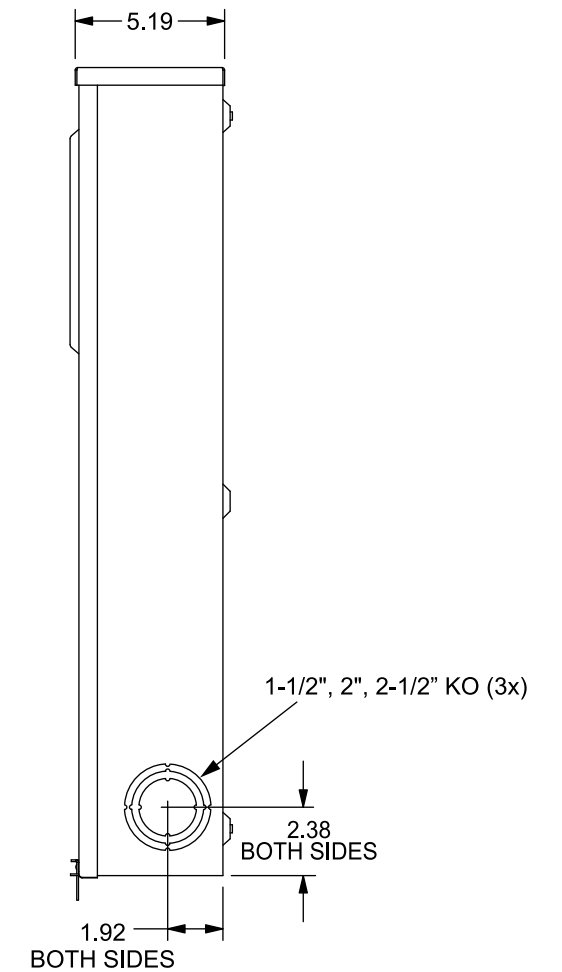
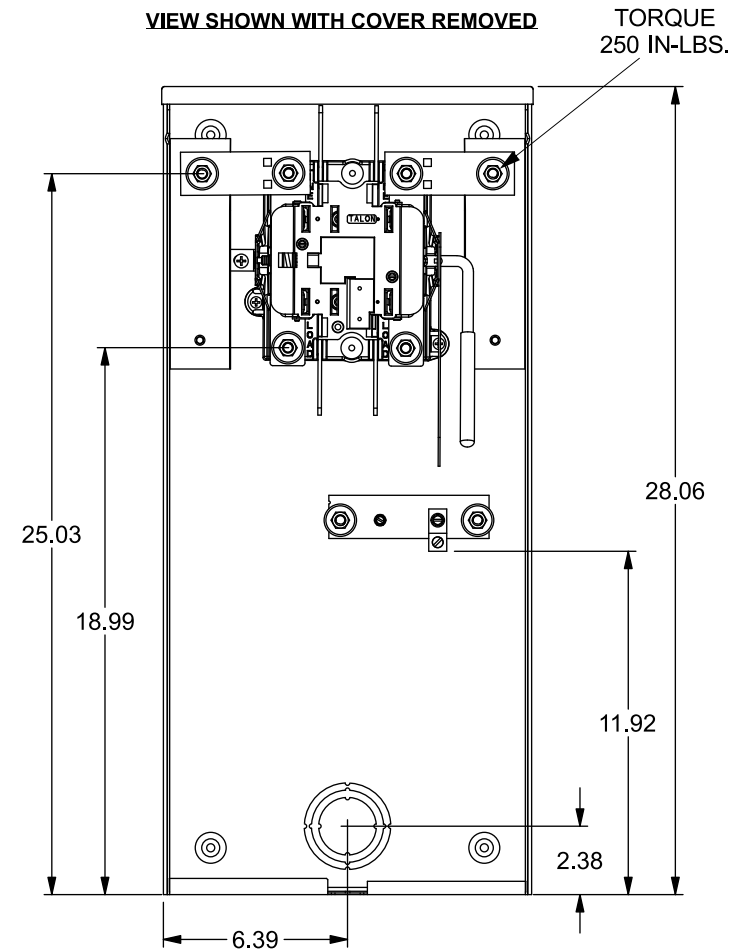
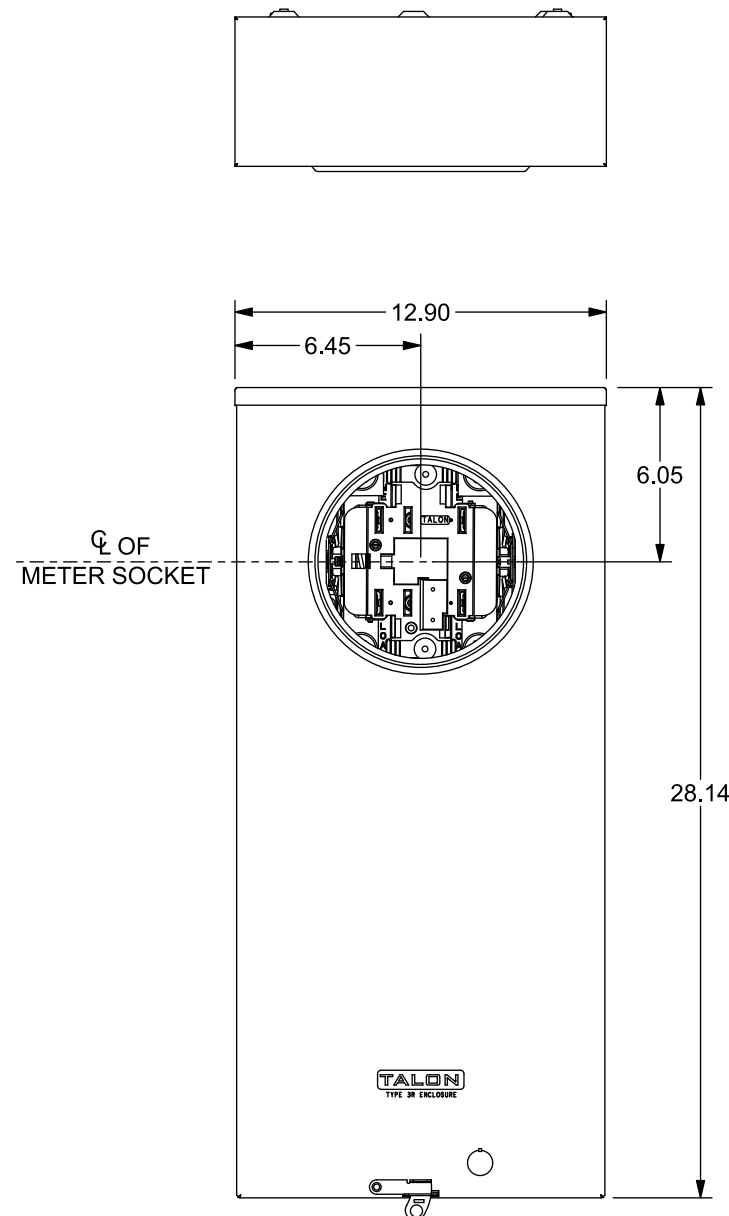
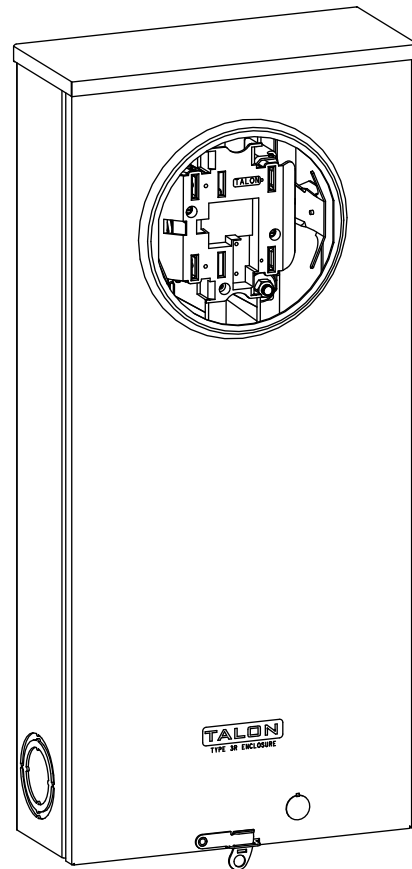


Catalog Number: 48504-92

Features and Ratings

- Ringless Type Meter Socket
- 320A Continuous, 600V AC
- Outdoor Enclosure (Type 3R)
- Painted G90 Steel Enclosure
- 1 Phase, Commercial Socket
- 4 Jaw Meter Socket
- Meter Socket Type HQ-4UST
- For Underground Service Only
- Lever Bypass



Connectors, Wire Sizes and Torques (Recommended or Installed)

CONNECTOR	PART No.	WIRE SIZE	HEX DRIVE	TORQUE
LINE	ALC 2/0	See Note		
LOAD, NEUTRAL	56732-2	(2) #4-350 kcmil	5/16"	275 IN-LBS.
GROUND	67554	#14 - 2 AWG		50 IN-LBS.

Note: Wire range 2/0-1 when installed with IDT-12-N tool, contact ILSCO for complete information on tooling.

© 2019 Copyright Siemens Industry, Inc.

TALON
Meter Socket

Description: **320A Cont, 4 Jaw, HQ-4UST, 600V AC, Painted Steel Enclosure**

KAM 3/18/19 DO NOT SCALE DRAWING Dwg No: **48504-92**