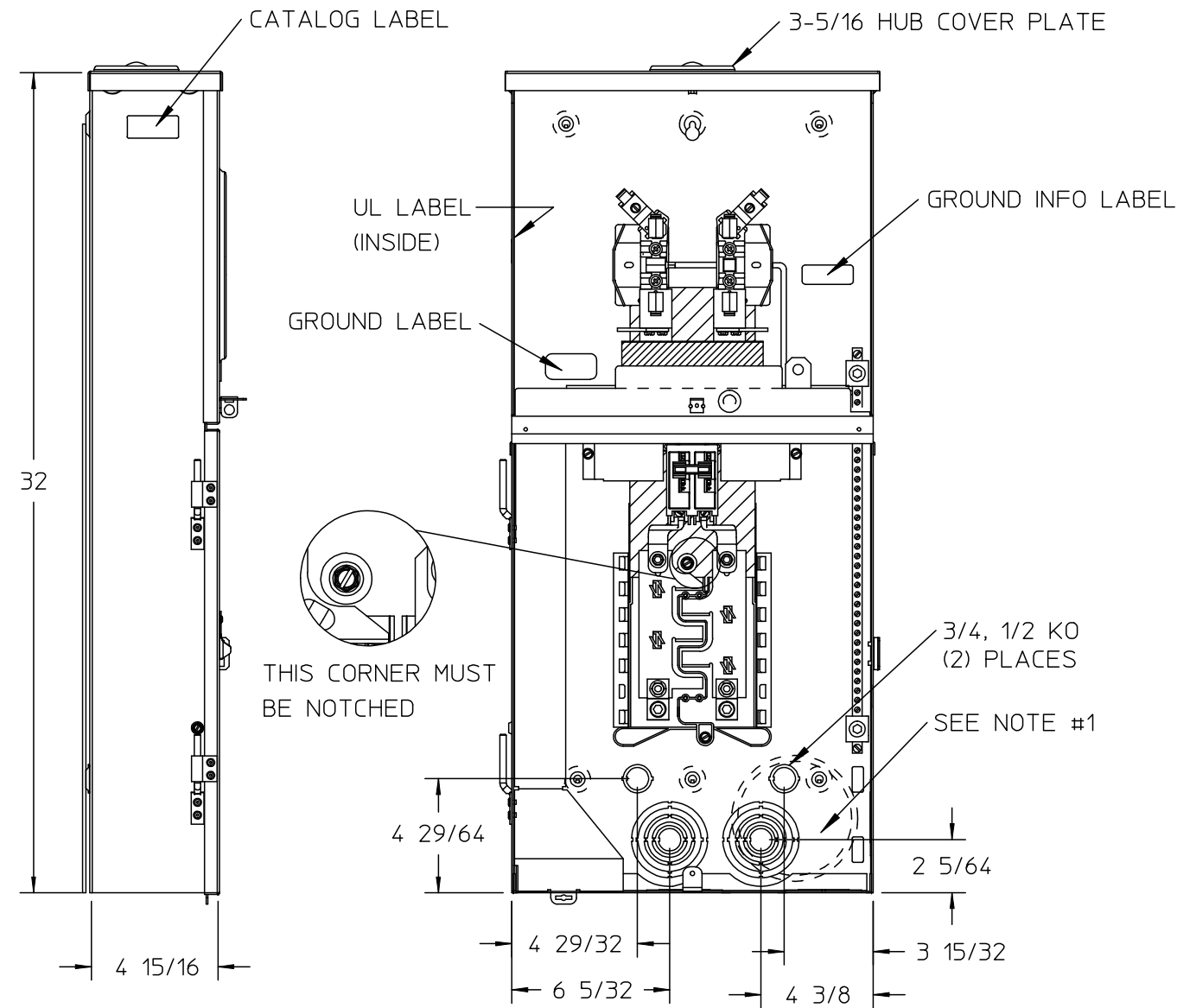


Catalog Number: MC0816B1100RJB, MC0816B1100RJB

Features and Ratings

- Unit Rating: 100A Max., 120/240VAC
- Meter Socket Rating: 100A Continuous
- Ringless Type Horn Bypass Meter Socket
- Outdoor Enclosure (NEMA Type 3R)
- Painted G90 Steel
- 1 Phase, 3 Wire
- 5 Jaw Meter Socket
- For Overhead or Underground Service
- RX Type Hub Opening, Cover Plate Installed
- 208Y/120 VAC, 1 Phase, 3 Wire with 5th Jaw Installed
(Derived From 3 Phase - 4 Wire System)



METER COVER AND DEADFRONT REMOVED

Accessories

CONDUIT HUBS (RX Type)

TRADE SIZE	CATALOG No.
1-1/4 INCH	EC38597
1-1/2 INCH	EC38598
2 INCH	EC38599
2-1/2 INCH	EC38600

CONDUIT HUBS (HC Type)

TRADE SIZE	CATALOG No.
2 INCH	ECHC200
2-1/2 INCH	ECHC250
3 INCH	ECHC300

Accessories

Filler plate

Cat No: QF3 or ECQF3

2/0 - #4 Lug Kit

Cat No: ECLK1-2 (Torque 45 Lb-Ins.)

Meter Socket Jumper

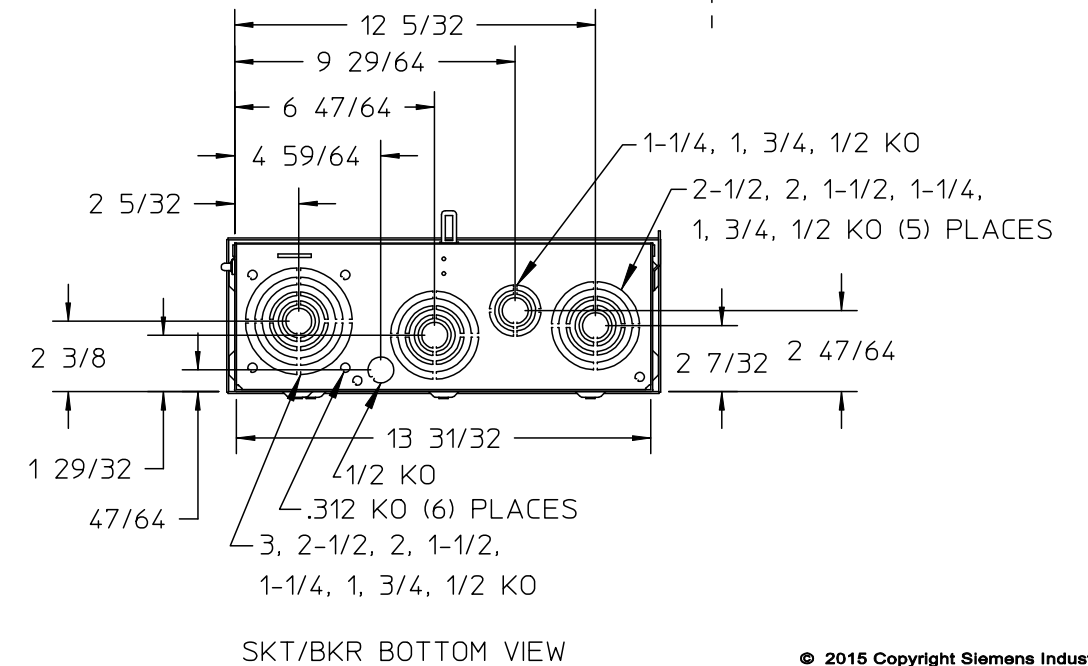
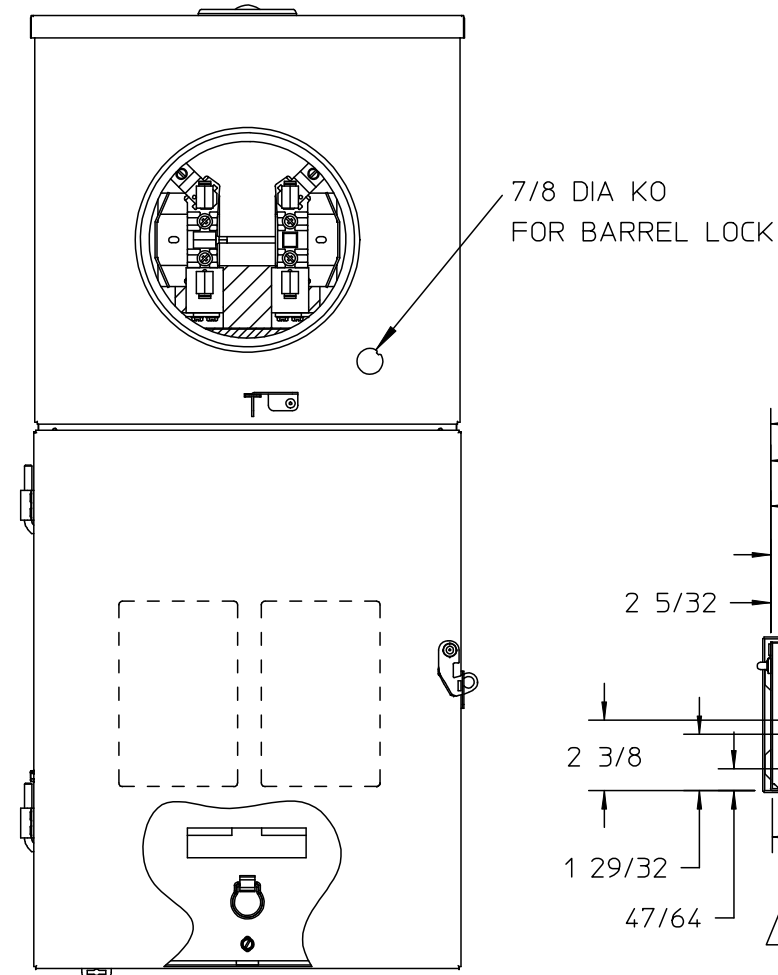
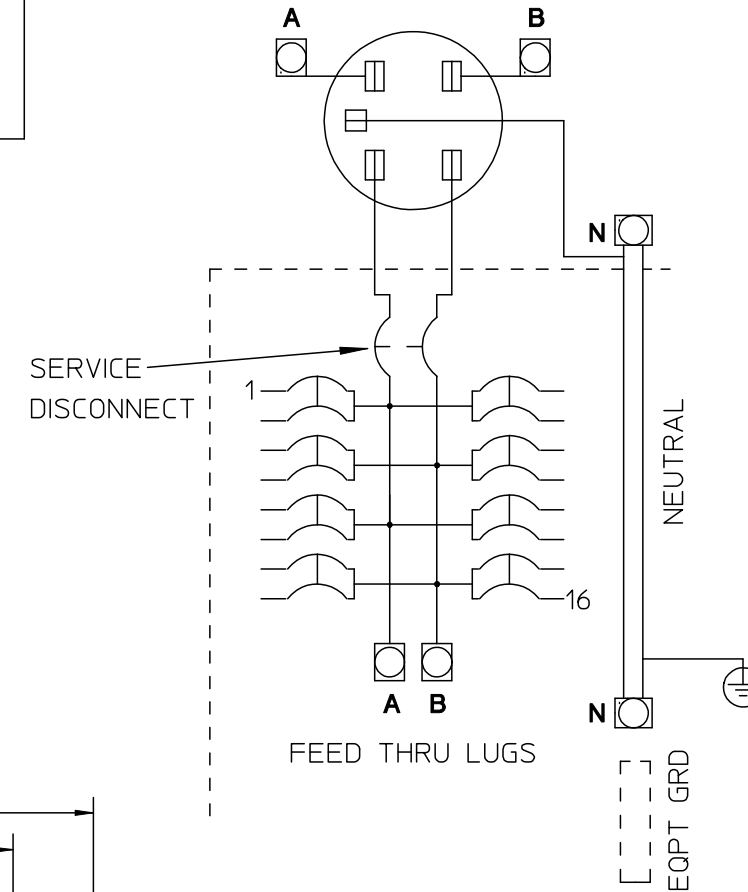
Cat No: ECJS

Equipment Grounding Bar

Cat No: ECGB10

Connectors, Wire Sizes and Torques

CONNECTOR	WIRE SIZE	TORQUE
A and B	#4 AWG - 2/0 AWG	50 IN.-LBS.
N	#4 AWG - 2/0 AWG	250 IN.-LBS.
NEUTRAL/GROUND BAR	#14 - 10 CU/12 - 10AL AWG	20 IN.-LBS.
	#8 AWG	25 IN.-LBS.
	#6-4 AWG	35 IN.-LBS.



SKT/BKR BOTTOM VIEW

NOTES:

- 1) PLACE ITEMS IN APPROX. LOCATION SHOWN

© 2015 Copyright Siemens Industry, Inc.

SIEMENS
Siemens Industry, Inc.

RAINPROOF COMBINATION METERING

Description:

SKT/BKR 100A 1P HCP

RB 6/19/15 DO NOT SCALE DRAWING Dwg No: MC0816B1100RJB