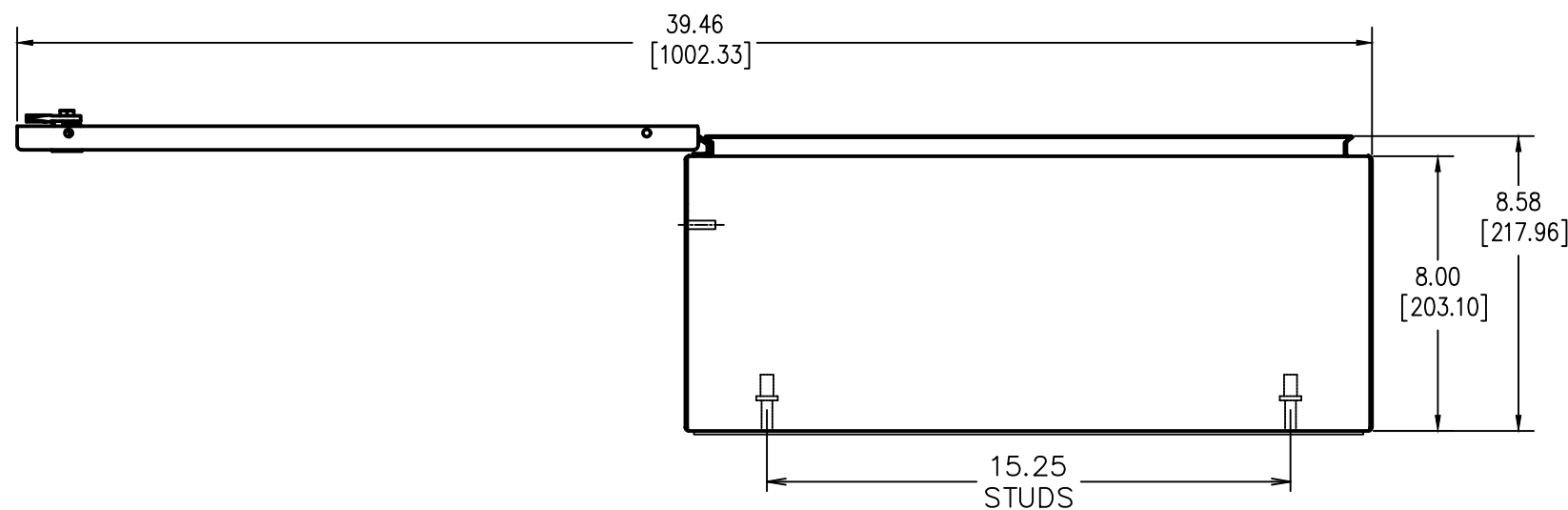
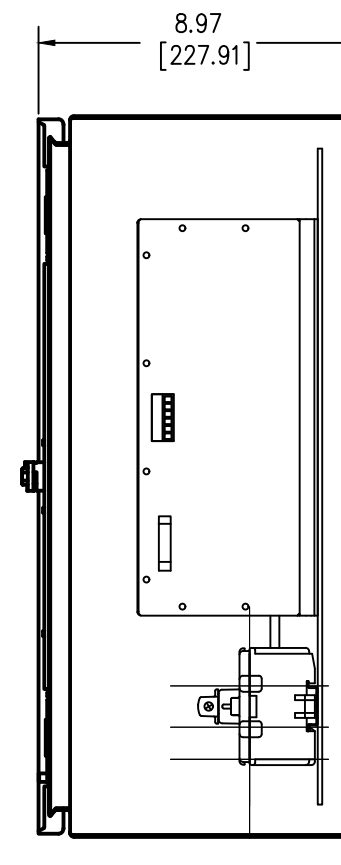
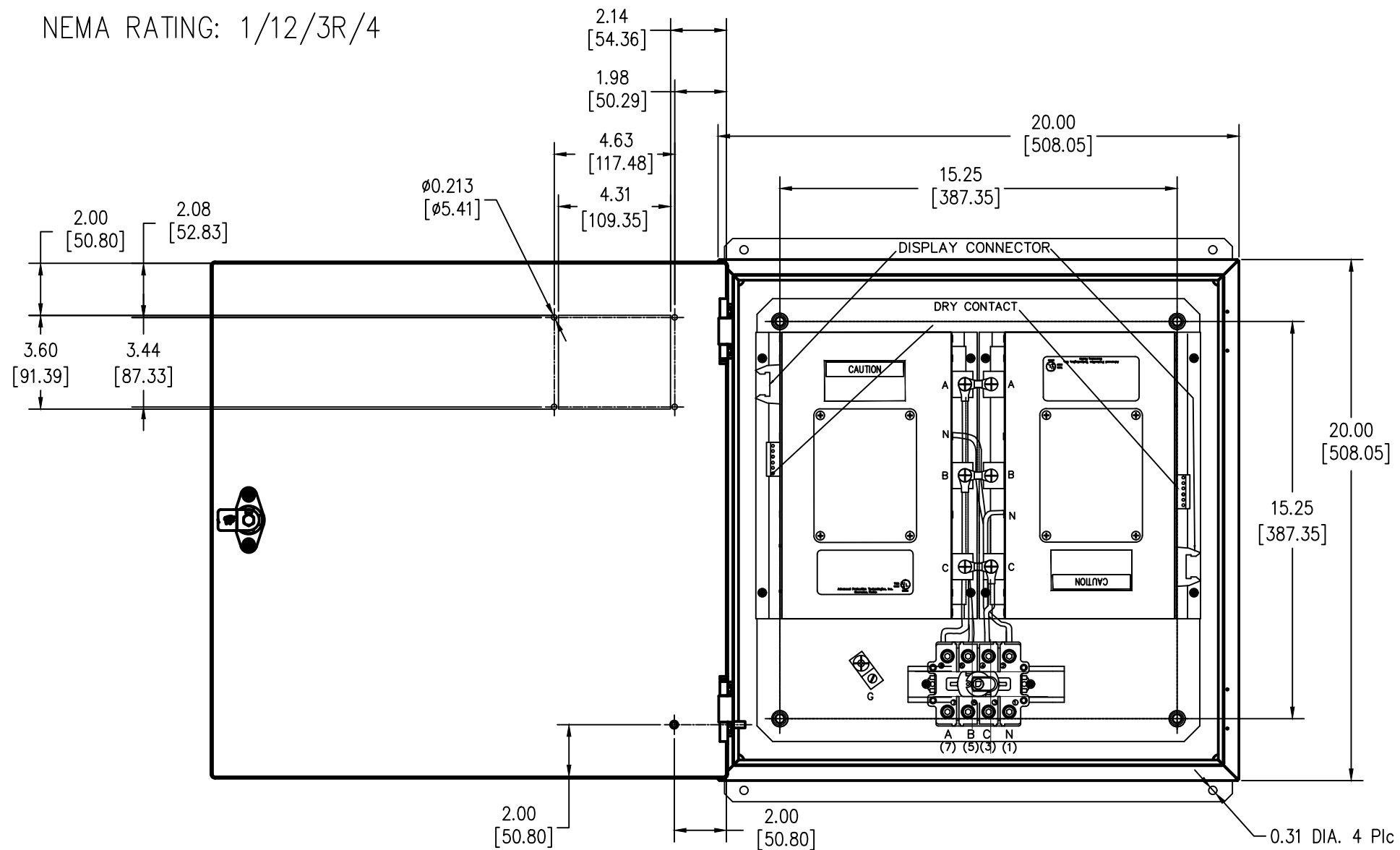
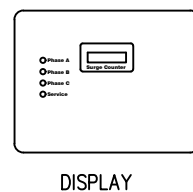


SURGE PROTECTIVE DEVICE (SPD)
WEIGHTS & DIMENSIONS
NEMA RATING: 1/12/3R/4



ENCLOSURE SPECS.
DESC: ENCLOSURE, HINGED
DIM: 20"H x 20"W x 8"D
FINISH: POWDERCOAT ANSI 61 GRAY
MAT: CARBON STEEL, 14 GAUGE
NEMA RATING: 1/12/3R/4
DEVICE WEIGHT: 51.95LBS. (23.56KG.)

| | | | |
|--------|------|---|---|
| 4-5-10 | Date | Unless otherwise specified dimensions are in inches. Tolerances are non-cumulative and are as follows unless specified otherwise. .XXX ± .020 .XXX ± .005 Angular ± 2° Do not scale drawing | Confidential - Property of Siemens Industry, Inc. Building Technologies Division |
| C.N. | | | |
| Rev | | DRAWN H. DRIGGERS 8/17/09 ENGINEER MJG 8/17/09 APPROVAL | TPS3-15 SERIES 400k-1k w/ DS NEMA RATING: 1/12/3R/4 |
| | | DWG NO. SIE_DW_TPS3151KDS-123R | REV - |
| | | SCALE NONE | SHEET 1 of 1 |