

Catalog Number: MM0404B1400RLM

Features and Ratings

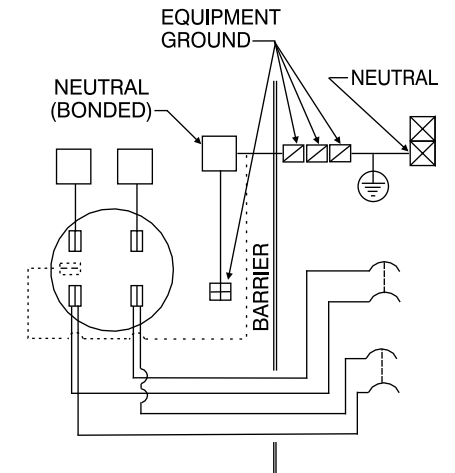


- Outdoor Enclosure (NEMA Type 3R)
- Ringless Type Meter Cover
- Device Rating: 400A Max
- 120/240V~ 1 Phase, 3 Wire
- 120/208V~ 1 Phase, 3 Wire w/5th Jaw Installed
- Meter Socket Rating: 400A (320A Continuous)
- 4 Jaw, Lever Operated Bypass with Jaw Tension Release
- (2) 200A Breakers Factory Installed
- UL Listed only for use as Service Entrance Equipment
- Overhead or Underground Service Entrance
- Surface Mounting

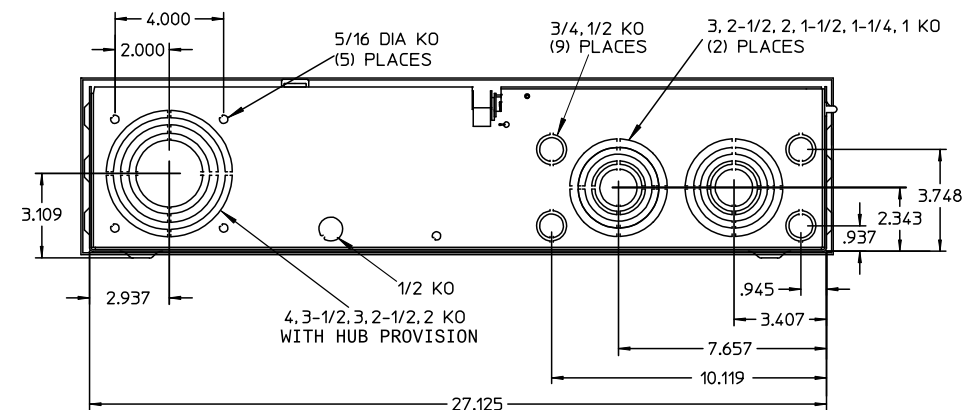
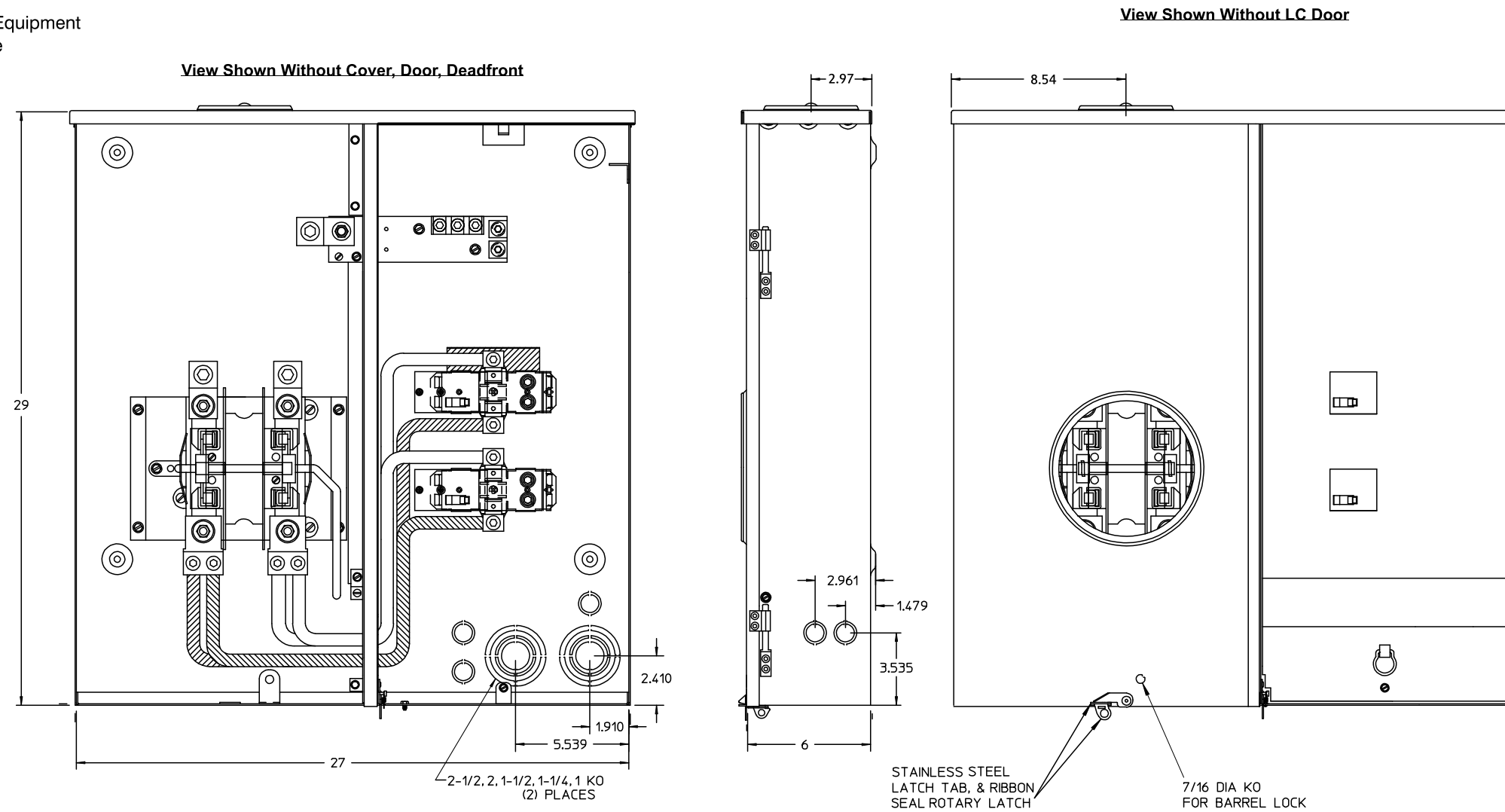
Accessories

- ACCESSORIES**
 FILLER PLATE ECQF3
 5TH JAW SHIELD H35815-2
- ORDER HUBS FROM "HD" SERIES**
 COVERPLATE EC56933S
 3" HUB EC56856
 3 1/2" HUB EC56857
 4" HUB EC56858
- HARDWARE TIGHTENING TORQUES:**
 3/8" NUTS 250-300 LB.-IN.

Schematic



TERMINAL RANGES kcmil OR AWG; CU/AL	TORQUE LB.-IN.
□ (1)600kcmil-#4 OR (2)350kcmil-1/0	500
□ Alt. Lugs H56732-2 (2) 350kcmil-#4	275
⊞ (1)2/0-#12	50
⊞ (1)250kcmil-4	250
⊞ (1)2/0-#6	275



SIEMENS
Siemens Industry, Inc.

Outdoor Combination Meter Main

Description:
400A, 1ph, Ringless, OH/UG w/200A Breakers

KAM 7/8/14	Fam M	DO NOT SCALE DRAWING	Dwg. No. MM0404B1400RLM
---------------	----------	-------------------------	-----------------------------------