

Heavy Duty Safety Switch

Type VBII, 1200 Amp, Type 3R (Outdoor)

Standards and Ratings

- UL Listed under file #E4776
- Meets UL98 for switches and UL 50 for enclosures
- Meets NEMA Standard KS-1 for enclosed switches
- Meets NEC wire bending space requirements
- Rated 200,000 AIC with Class L and T fuses
- Suitable for use as service entrance equipment

Features

- Quick-make and break switching action
- Visible blade design
- Highly visible ON/OFF indication
- Modular design allows quick and easy replacement of parts
- Defeatable dual cover interlock

General Information

| Catalog Number | Volts | Description | Shipping Weight (lbs.) |
|----------------|-------|-------------------------|------------------------|
| HF228NR 1 | 240 | 2 Pole, 3 Wire, Fusible | 364 |
| HF328NR | 240 | 3 Pole, 4 Wire, Fusible | 387 |
| HF368R | 600 | 3 Pole, 3 Wire, Fusible | 385 |
| HF368NR | 600 | 3 Pole, 4 Wire, Fusible | 388 |

Horsepower Ratings ² - 240 Volts

| Catalog Number | 1 Phase, 240V AC | | 3 Phase, 480V AC | | 250V DC |
|----------------|------------------|-----|------------------|-----|---------|
| | Std | Max | Std | Max | |
| HF228NR | — | — | 100 | 250 | — |
| HF328NR | — | — | 100 | 250 | — |

Horsepower Ratings ² - 600 Volts

| Catalog Number | 3 Phase, 480V AC | | 3 Phase, 600V AC | | 600V DC |
|----------------|------------------|-----|------------------|-----|---------|
| | Std | Max | Std | Max | |
| HF368R | 200 | 500 | 250 | 500 | — |
| HF368NR | 200 | 500 | 250 | 500 | — |

Accessories

| Catalog Number | Description |
|----------------|---|
| HA165678 | One Normally Open and Closed Auxiliary Switches |
| HA265678 | Two Normally Open and Closed Auxiliary Switches |
| HA365678 | Low Voltage Auxiliary Switch |
| HG678 | Equipment Ground Lug Kit |
| HN678 | Neutral Kit |
| TFAK82 | 240V Class T Fuse Mounting Kit (1 per pole) |
| 3 | Copper Lug Kit (1 lug per kit) |
| 4 | Compression Lug Mounting Kit (2 kits/pole required allows (4) lugs/Ø) |
| HV250 | 2.50" Type "HV" Outdoor Hub |
| HV300 | 3.00" Type "HV" Outdoor Hub |
| HV350 | 3.50" Type "HV" Outdoor Hub |
| HV400 | 4.00" Type "HV" Outdoor Hub |

¹ These switches are UL Listed for application on grounded B phase systems.

² Dual horsepower ratings: Std - applies when non-time delay fuses are installed.

Max - applies when time-delay fuses are installed.

³ Catalog number HLC65678 factory installed only.

⁴ Catalog number HCL65678 factory installed only.

Product Specification Sheet HD1200.3

Answers for industry.

SIEMENS

Product Specification Sheet #HD1200.3 (page 2 of 3)

Replacement Parts

| Catalog Number | Description |
|----------------------|------------------------------------|
| HFB68 ^{1 2} | Fusible Line Side Replacement Base |
| HBB68 ^{1 2} | Fusible Load Side Replacement Base |
| HH68 | Replacement Handle/Handle Guard |
| HM678 | Replacement Mechanism |
| ³ | Replacement Door |

Mechanical Lug Wire Range (75°C, Cu/Al)

| Description | Wire Range |
|-------------|-------------------------|
| Line, Load | (4) 1/0 AWG - 750 Kcmil |
| Neutral | (4) 1/0 AWG - 750 Kcmil |
| Ground | (4) #6 AWG - 250 Kcmil |

Compression Lugs (Factory Installed mounting kit HCL68T for top and HCL68T for bottom required)

| Wire Size | Burndy | | Thomas-Betts | | Ilsco | |
|-----------|--------------------|---------|---------------------|----------------|---------------------|---------------------|
| | CU Only | CU/AL | CU Only | CU/AL | CU Only | CU/AL |
| 2/0 | YA26-N | YA26-A1 | 54160 54951BE | | | IACL-2/0 ACN-2/0 |
| 3/0 | YA27-L Box YA27 | YA27A3 | 54165-TB 54965BE | | CRB-3/0 CRB-3/0L | IACL-3/0 ACN-3/0 |
| 4/0 | YA28-L Box YA28 | YA28A3 | 54170 54970BE | 60150 | CRB-4/0 CRB-4/0L | IACL-4/0 ACN-4/0 |
| 250 Kcmil | YA29-L Box YA29 | YA29A1 | 54113 54913BE | 61156 60156 | CRA-250 CRA-250L | IACL-250 ACL-250 |
| 300 Kcmil | YA30-L YA30 | YA30A1 | 54114 54914BE | 61162 60162 | CRA-300 CRA-300L | IACL-300 ACL-300 |
| 350 Kcmil | YA31-L YA31 | YA31A1 | 54915BE | 61165 60165 | CRA-350 CRA-350L | IACL-350 ACL-350 |
| 400 Kcmil | YA32-N | | 54116 54916BE | | | |
| 500 Kcmil | YA34-L6 YA34-N | | | 61171 | | IACL-500 |

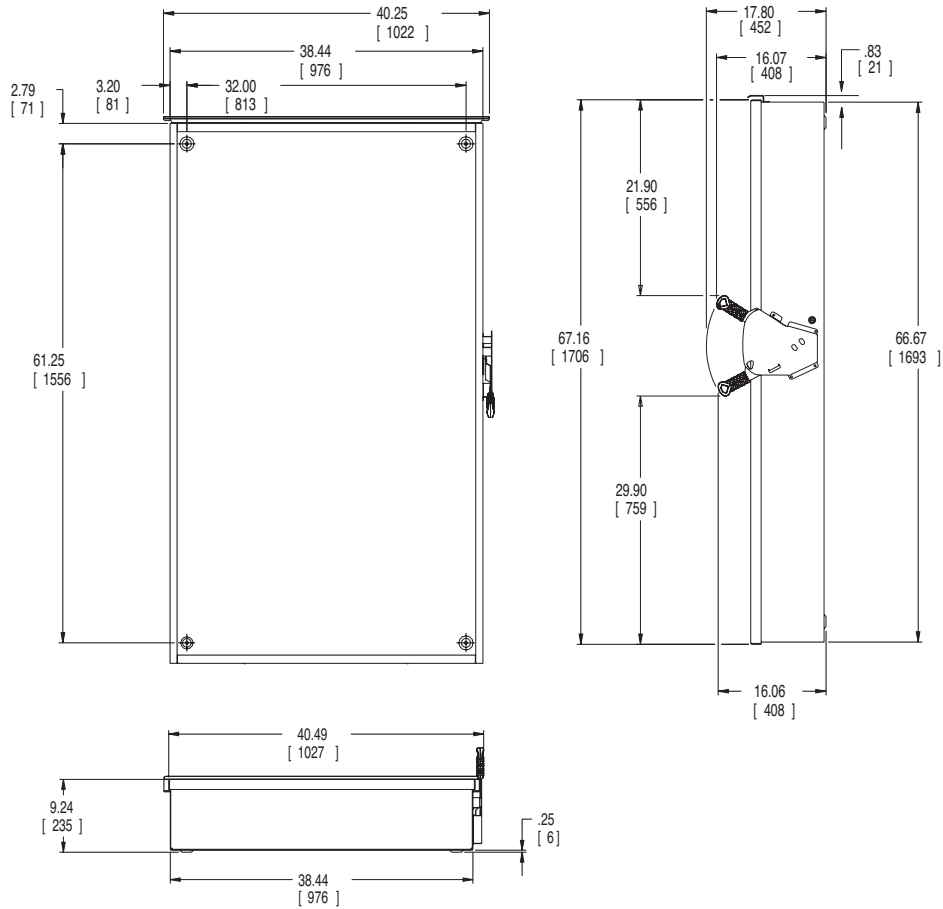
1 Each Line and Load Replacement Base contains one pole.

2 Lugs are provided on Line and Load Replacement Base Assemblies.

3 Place "DOOR" at the end of the switch catalog number.

Product Specification Sheet #HD1200.3 (page 3 of 3)

Dimension Drawing



No knockouts in the enclosures.
 Dimensions shown in inches and millimeters ().
 Dimension shown accurate to $\pm \frac{1}{8}$ inch.

| | LINE SIDE WIRE BEND | LOAD SIDE WIRE BEND |
|------------|------------------------|------------------------|
| 240V fused | 22 (559) | 22 (559) |
| 600V fused | 22 (559) | 22 (559) |

Enclosure: Galvanized Steel
 Box .093 Thick (12 Gauge)
 Cover .123 Thick (10 Gauge)
 Finish: ANSI #61 Grey Paint