

CATALOG NUMBER

ECBX231M



Handle Blocking Device


Same As:

■ BX231M



Package contains 10 devices.

INSTALLATION INSTRUCTIONS

	⚠ DANGER
	Hazardous Voltage. Will cause death, serious injury or substantial property damage. Turn off power supplying this equipment before working inside.

⚠ SAFETY INSTRUCTIONS

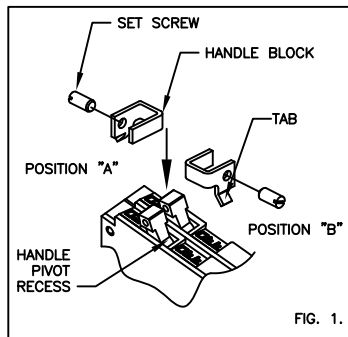


FIG. 1.

Note: This instruction outlines the recommended installation procedure.

1. Turn off and lock off the power supplying the load center before working inside.
2. Orient handle block in either position "A" or position "B" (depending upon whether handle is to be blocked in the "OFF or "ON" position).
3. Slide handle block down over the handle until tab nests in handle pivot recess of breaker (Fig.1).
4. Tighten set screw.

600657A Rev.2

Norcross, Georgia U.S.A. Assembled in Mexico