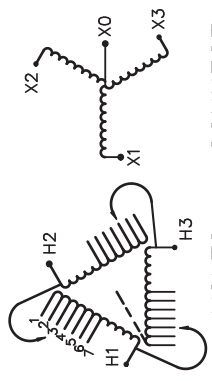




REVISION	DATE	BY	DATE	BY
			16/06/29	PP

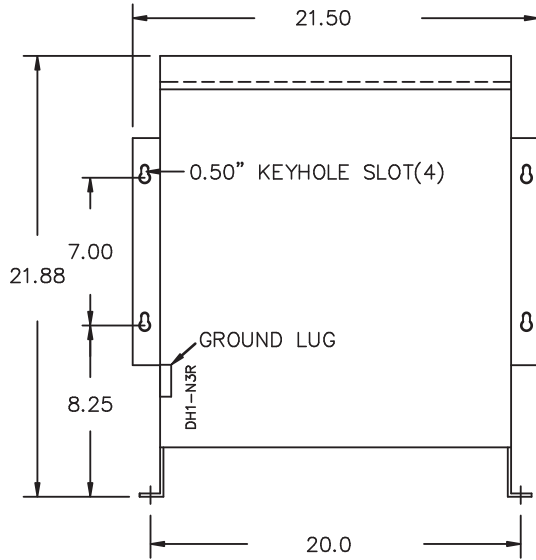
Confidential - Property of <b>Siemens Industry, Inc.</b>	
CUSTOMER	
ORDER NO.	DWG. NO.
	3F3Y015D16BA
	SH 1 OF 2

# SIEMENS

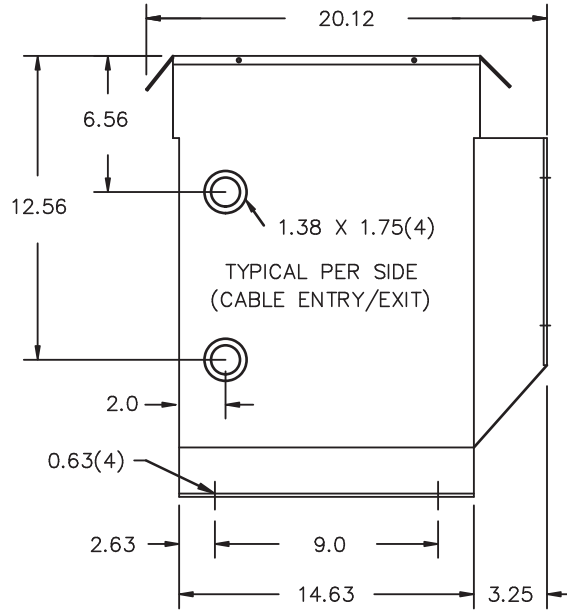
<p>CATALOG NO. 3F3Y015D16BA</p> <p>SERIAL NO.</p> <p>15 kVA    60 Hz    3 PHASE</p> <p>5 % IMP AT 170 °C</p> <p>150 °C RISE    30 °C AVG. AMBIENT</p> <p>220 °C TEMP CLASS    40 °C MAX. AMBIENT</p> <p>PRIMARY ( H1 H2 H3 )    480V    V 10 kV BIL</p> <p>SECONDARY( X0 X1 X2 X3 )    208Y/120V    V 10 kV BIL</p> <p>WINDING MATERIAL    AL</p> <p>ENCLOSURE TYPE 3R    WEIGHT 185 LBS</p> <p>ENERGY EFFICIENCY EXCEEDS CSA C802.2-2012    DOE 10 CFR PART 431:2016</p> <p>SPACINGS BETWEEN ANY VENTILATED ENCLOSURE PANEL AND ANY ADJACENT WALL SHALL BE A MINIMUM OF 3 INCHES</p>	 <p style="text-align: center;">VOLTS CONNECT</p> <p style="text-align: center;">504 492 480 468 456 444 432</p> <p style="text-align: center;">1 2 3 4 5 6 7</p>	<p style="text-align: center;">TYPE K</p> <div style="display: flex; justify-content: space-around;">   </div> <p style="text-align: center;">DRY TYPE TRANSFORMER 77UL5 E112313 LR 3902</p> <p style="text-align: center;"><b>LISTED</b></p> <p>SEISMIC QUALIFICATIONS, FLOOR MOUNT ONLY OSP-0136-10 IBC 2012/ASCE 7-10 SDS&lt;=2.0g z/h=1 p=1.5</p>
<p>SUITABLE FOR INDOOR OR OUTDOOR LOCATIONS BEFORE HANDLING, INSTALLING AND OPERATING; SEE INSTRUCTION MANUAL</p> <p>NEMA Class <b>ANN</b> Dry Type Transformer    Siemens Industry, Inc. Norcross, GA    <small>dsu0086e</small></p>		



FRONT VIEW



SIDE VIEW



All Dimensions in inches

ENCLOSURE COLOR : ANSI-61 GREY PAINT OUTDOOR

H.V.1. TERMINAL DETAIL

L.V.1. TERMINAL DETAIL

MECHANICAL TYPE LUGS INCLUDED  
SUITABLE FOR #14-2 CU/AL  
CONDUCTORS  
1 CONDUCTOR PER PHASE

MECHANICAL TYPE LUGS INCLUDED  
SUITABLE FOR #14-2 CU/AL  
CONDUCTORS  
1 CONDUCTOR PER PHASE

CUSTOMER NOTES:

- HV1 TERMINATED AT TOP FRONT
- LV1 TERMINATED AT BOTTOM FRONT

Confidential - Property of  
Siemens Industry, Inc.

REVISION	DATE	BY	DATE	BY
		DRAWN	16/06/29	PP
		CHEK'D		
		VERIF'D		

CUSTOMER	
ORDER NO.	DWG. NO. 3F3Y015D16BA
SH 2 OF 2	