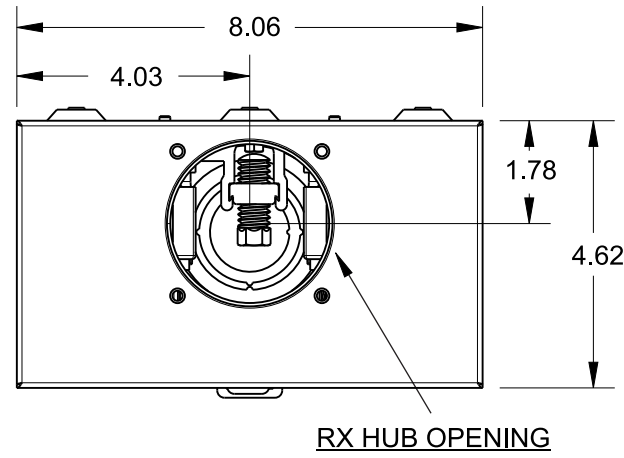


Catalog Number: UAT337-0PGP

Features and Ratings

- Ringless Type Meter Socket
- 200A Continuous, 250A Max.
- Outdoor Enclosure (NEMA Type 3R)
- Aluminum Enclosure
- 1 Phase, 3 Wire, 600V AC
- 4 Jaw
- Horn Bypass
- For Overhead Service Only
- RX Hub Opening
- 7/8" Barrel Lock Provision

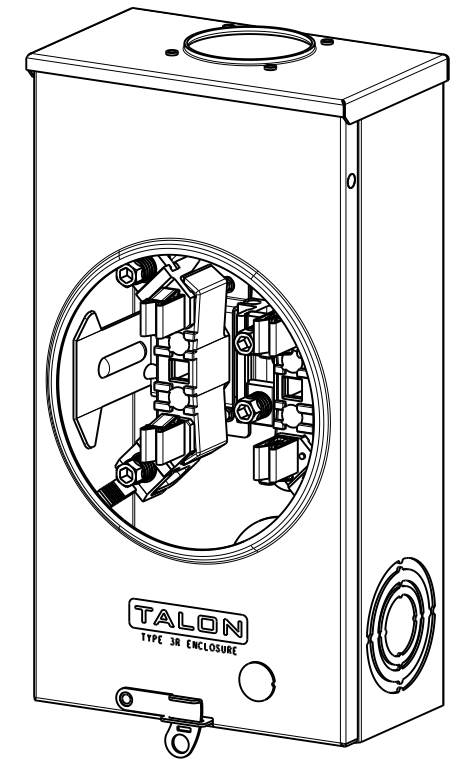
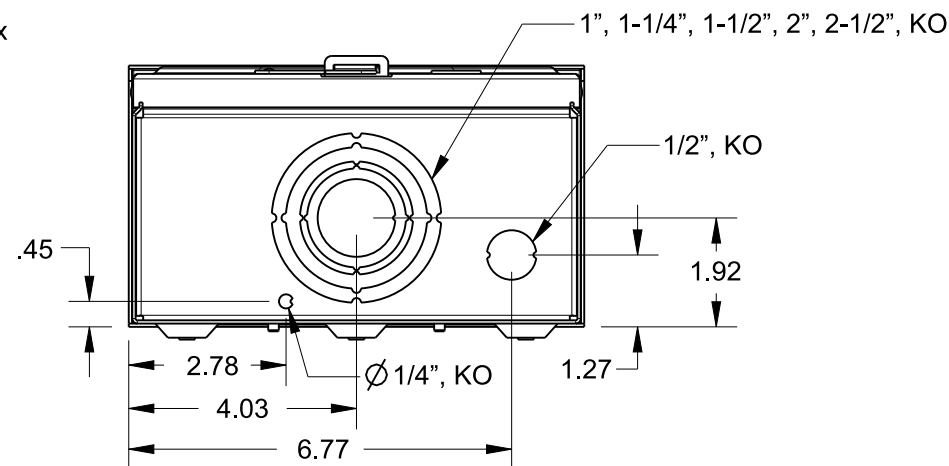
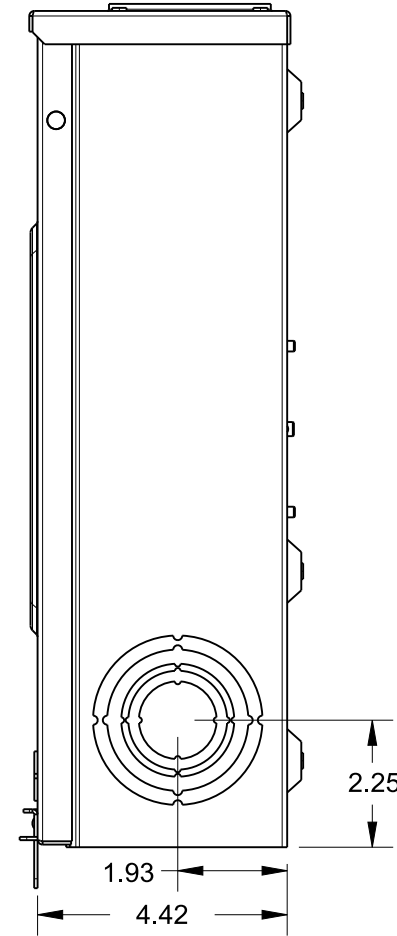
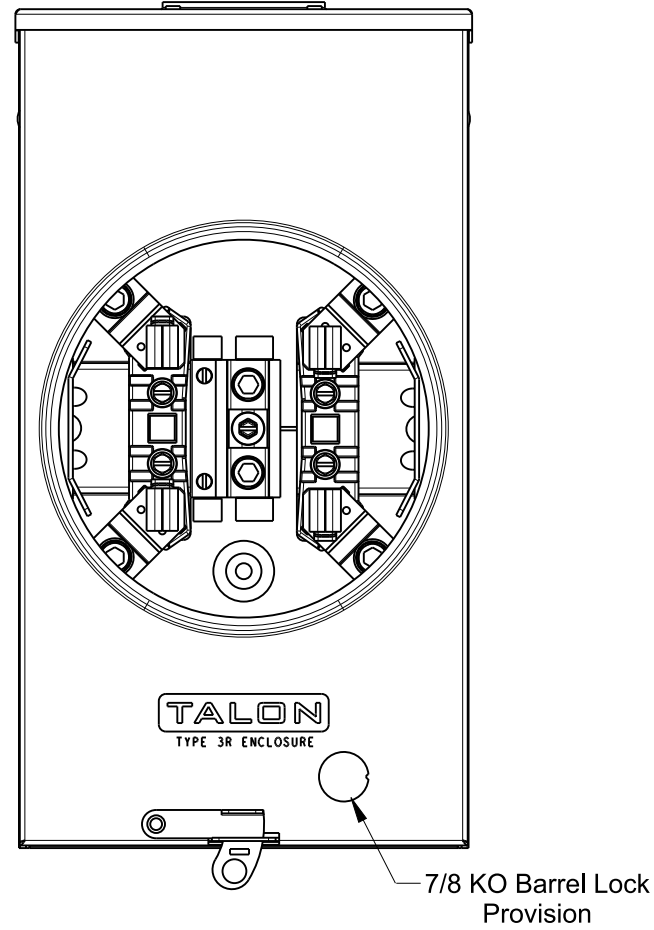
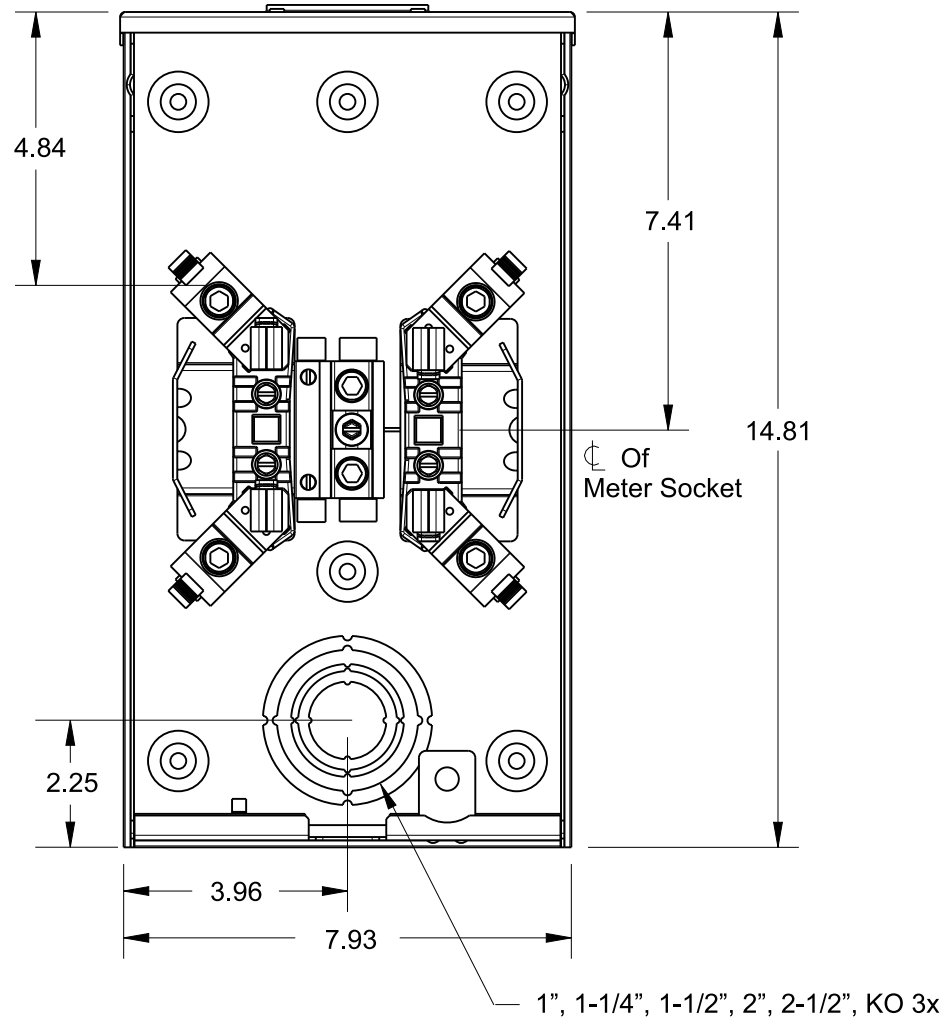


- Accessories**
- Meter Opening Cover Plate
Cat No: H39968
- RX HUB KITS**
Cat No: H38597-2 (1.25")
Cat No: H38598-2 (1.50")
Cat No: H38599-2 (2.00")
Cat No: H38600-2 (2.50")
- RX HUB KITS**
Cat No: EC38597 (1.25")
Cat No: EC38598 (1.50")
Cat No: EC38599 (2.00")
Cat No: EC38600 (2.50")
- HUB COVER PLATE**
Cat No: H38595-2

**Lugs,
Wire Sizes and Torques**

LOCATION	LUG SIZE	TORQUE
LINE*	#6-350 kcmil	250 LB-IN
LOAD*	#6-350 kcmil	250 LB-IN
NEUTRAL*	#6-350 kcmil	250 LB-IN
GROUND*	#14-2	50 LB-IN

* External Hex drive 1/2"
* Internal Hex drive 5/16"



TALON

Meter Socket

Description:
**200A Cont, 4 Jaw, UAT-3, 600V AC,
Aluminum Enclosure**

AEP

NH 10FEB15 DO NOT SCALE DRAWING Dwg No: UAT337-0PGP