

KLW low-voltage retrofit replacement circuit breakers

ANSI 240/480/600 VAC at 22-85 kA, 600-4,000 amperes

Low-voltage retrofit replacement circuit breakers provide a cost-effective way to upgrade to current technology while increasing equipment reliability and minimizing downtime.

Siemens KLW circuit breakers are replacements for ABB/ITE circuit breakers that utilize the reliable and flexible Siemens WL circuit breaker as the core operating mechanism and main contacts.

Why replacement breakers?

- Preserved investment in switchgear
- Reduced downtime and minimal changeover time during upgrade
- Increased reliability and performance
- Improved employee safety

Why Siemens?

- Direct-rack connection maintains the existing primary current-carrying path without modifications or intermediate connections
- WL operator is less prone to nuisance tripping
- A variety of trip modules for all applications and functionality
- Secondary contacts are mounted on the front for safe, easy access
- Remote operation and monitoring for safety
- 24/7 support line

Reliable

This highly engineered reliable design offers increased operations and the Extended Instantaneous Protection (pat. pending) function allowing 100% of the full withstand rating of the frame and still providing the ability of the breaker to be applied up to the maximum Interrupting Rating. Highly accurate internal Rogowski CTs allow for precision protection and metering – saving money on down time, field service, and increased customer satisfaction.

Easy-to-use

The ease-of-use – from integrated racking handles, pull-apart, front-mounted terminal blocks, and simple selection and application tools – reduces installation time and errors, adds flexibility, and minimizes training.

Speed of delivery

Located in the United States, our production facility is positioned to deliver your retrofit breakers within your time frame needed.

Safety related features

- Visible, ready-to-close indicator
- Customizable interlocking, and mechanical trip indication
- Available Siemens Dynamic Arc Sentry (DAS) provides an arc flash mitigation mode to lower the possible arc flash energy
- Available Remote Racking System



KLW 1600

Electronic Trip Units (ETUs)

- Alphanumeric or Graphical Display
- Power Metering
- Protective Relaying
- Alarm Functions
- Event Logs
- Zone Selective Interlocking (ZSI)
- Dynamic Arc Sentry (DAS)
- Communication Protocols

Analog Trip Units (ATUs)

- Suitable for 1-E and harsh environment applications
- Available with LT, ST, INST & Ground
- Function Selector Switch: LSI, LI, & LS
- Arc Flash Reduction Mode
- Fault Indication output contacts

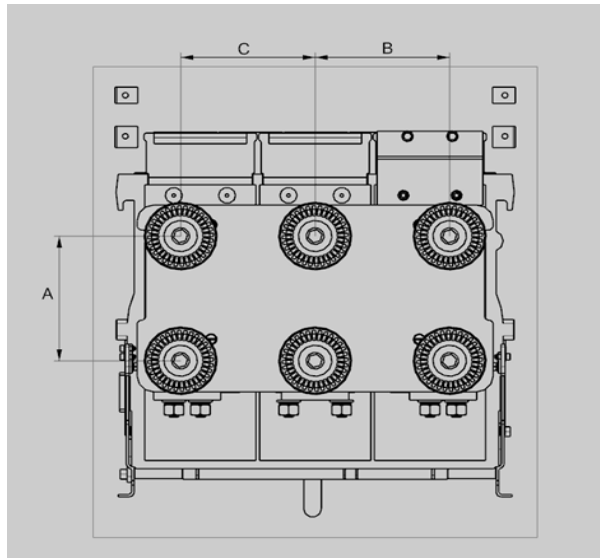
KLW Low-Voltage Power Circuit Breaker Ratings at 50/60 Hz

Replacement Circuit Breaker	Continuous Current	Fuse Rating	Interrupting Current Rating			Rated Max. Volts	Applicable Rating Plug Range
			240 VAC	480 VAC	600 VAC		
	Amperes	Amperes	kAIR RMS			VAC	Amperes
KLW-800	800	NA	42	30	22	600	250-800
KLW-1600	1600	NA	65	50	42	600	200-1600
KLW-2000	2000	NA	85	65	55	600	200-2000
KLW-3000	3000	NA	85	65	65	600	800-3000
KLW-4000	4000	NA	130	85	85	600	800-4000
KLFW-800	800	300-1000	200	200	200	600	250-800
KLFW-1600	1600	1200-2500	200	200	200	600	200-1600

Primary Dimensions (inches) - Matching Existing Bus					
	KLW-800	KLW-1600	KLW-2000	KLW-3000	KLW-4000
A	6.00	6.00	6.00	7.00	7.00
B	3.50	6.00	6.00	7.50	7.50
C	3.50	6.00	6.00	7.50	7.50

Reference Figure 1

Figure 1: Sample Dimension Diagram



Siemens Industry, Inc.
7000 Siemens Road
Wendell, NC 27591

For more information, please contact our Customer Support Center.
Phone: 1-800-333-7421

usa.siemens.com

Order No: EMTS-B40041-00-4AUS
Printed in USA

©2018 Siemens Industry, Inc.

The technical data presented in this document is based on an actual case or on as-designed parameters, and therefore should not be relied upon for any specific application and does not constitute a performance guarantee for any projects. Actual results are dependent on variable conditions. Accordingly, Siemens does not make representations, warranties, or assurances as to the accuracy, currency or completeness of the content contained herein. If requested, we will provide specific technical data or specifications with respect to any customer's particular applications. Our company is constantly involved in engineering and development. For that reason, we reserve the right to modify, at any time, the technology and product specifications contained herein.