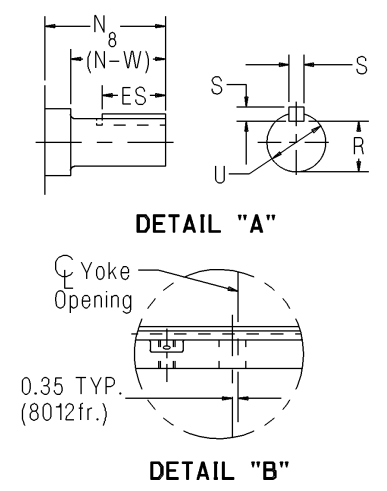
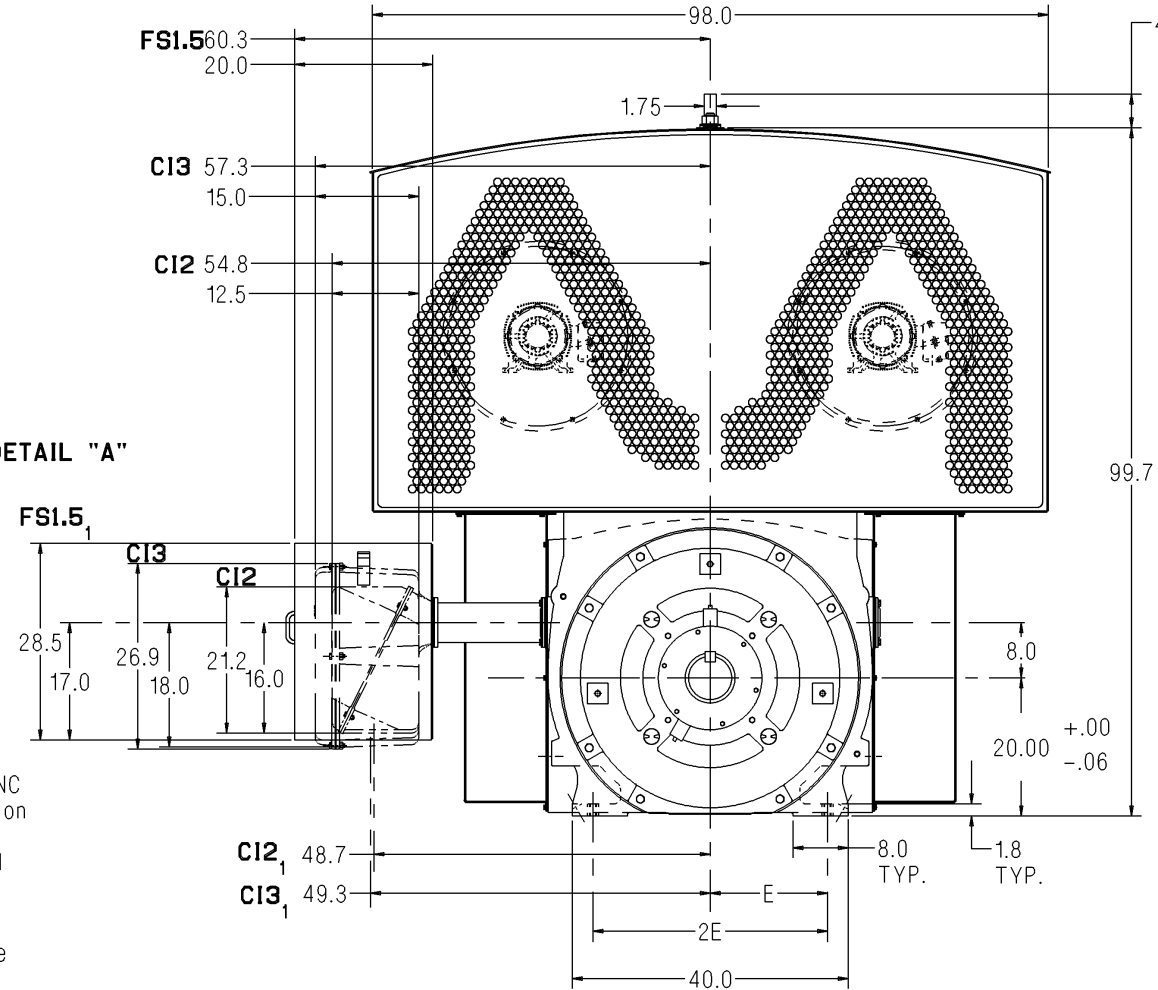
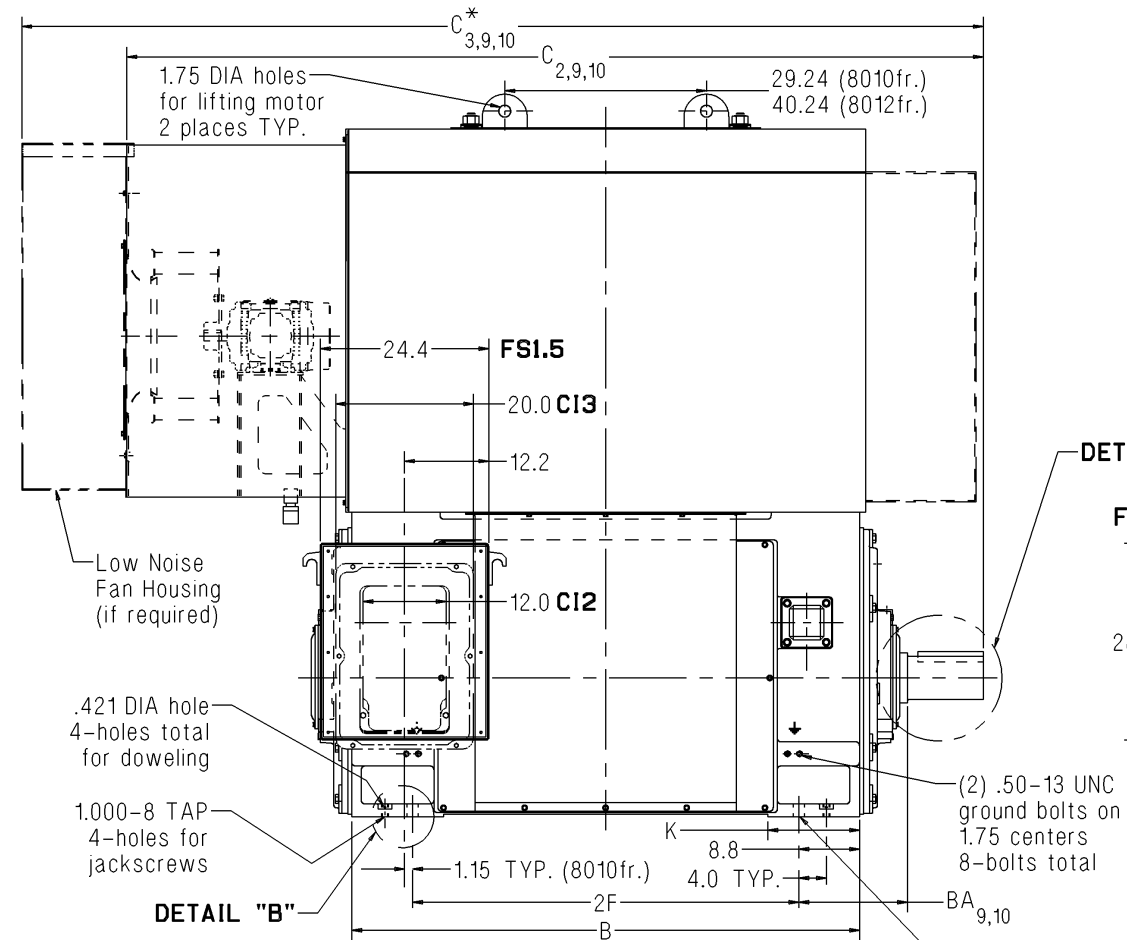


# SIEMENS

Dimension Prints for Above NEMA Motors

Type CAZB – Horizontal – TEAAC with Auxiliary Blower(s)<sup>11</sup>  
 Anti-Friction Bearing – Direct Connected  
 Frames 8010 / 8012 – 4 Pole & Slower – Rotatable Main Conduit Box



**Notes:**

- Main conduit box may be rotated in steps of 90° except in the 180° position. A removable bottom plate is supplied on the FS1.5 conduit box. A 5.0 N.P.T. is supplied on the CI2 and CI3 conduit boxes. A 16.0" spacer is supplied on both frames for all rotatable conduit boxes.
- C = Length of motor from drive end of shaft to end of auxiliary blower.
- C\* = Length of motor from drive end of shaft to end of low noise fan housing.
- V = (N-W)-0.25" = length of shaft available for coupling.
- Machines may rotate in either direction.
- Shims may be necessary under motor feet for direct connection.
- Short shaft is for direct connection.
- Adding a rotating labyrinth seal to the drive end decreases N by: 4 Pole: 0.55" 6 Pole & Slower: 0.55"
- Adding a ground brush increases BA, C, and C\* by: 4 Pole: 2.50" 6 Pole & Slower: 2.50"
- Adding a ground brush with rotating labyrinth seal increases BA, C, and C\* by: 4 Pole: 2.75" 6 Pole & Slower: 2.75"
- Typically motor is supplied with two auxiliary blowers. Depending upon individual motor design, only one auxiliary blower may be supplied.
- Approximate Ship Weight is based on standard aluminum cooling tubes.

**Standard Dimensions in Inches**

Shaft	Frame	Speed	B	BA <sub>9,10</sub>	C <sub>2,9,10</sub>	C* <sub>3,9,10</sub>	E	2F	K	N <sub>8</sub>	(N-W)	R	S	U	V <sub>4</sub>	ES	Approx. Ship Wt. (Lbs) <sub>12</sub>
Short	8010	4 Pole	73.6	15.75	125.7	139.4	17.0	56.0	13.3	12.10	11.0	5.408	1.50	6.25	10.75	9.5	23000
Short	8010	6 Pole & Slower	73.6	15.75	125.7	139.4	17.0	56.0	13.3	12.10	11.0	5.408	1.50	6.25	10.75	9.5	22400
Short	8012	6 Pole & Slower	88.6	15.75	140.8	156.8	17.0	71.0	14.8	12.10	11.0	5.408	1.50	6.25	10.75	9.5	27400

**Certification:** Customer \_\_\_\_\_ P.O. \_\_\_\_\_ S.O. \_\_\_\_\_ Item \_\_\_\_\_  
 HP \_\_\_\_\_ RPM \_\_\_\_\_ Frame \_\_\_\_\_ PH/HZ/Volts 3/\_\_\_\_\_/\_\_\_\_\_  
 By \_\_\_\_\_ Date \_\_\_\_\_ Terminal Box Size CI2  CI3  FS1.5   
 Comments \_\_\_\_\_  
 Not for construction, installation or application purposes unless certified.

CAZB\_800\_4plusPL\_AF\_ROT  
 Revision 01  
 01/21/09