

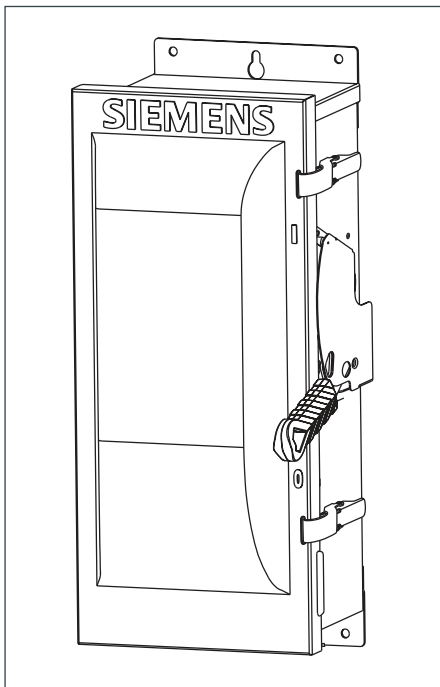
SIEMENS

Data Sheet

VBI Heavy Duty Safety Switch

100A and Oversized 60A, 240V – 600V, Type 3R

usa.siemens.com/switches



Standards and Ratings

- UL Listed under file #E4776
- Meets UL98 for switches and UL 50 for enclosures
- Meets NEMA Standard KS-1 for enclosed switches
- Meets NEC wire bending space requirements
- Rated 10,000 AIC with Class H fuses or 200,000 AIC with Class R, T and J fuses
- Rated 100,000 AIC at 600Vdc with Class R or J fuses
- 12t rated ($\text{Amps}^2 \times \text{Seconds} = 500,000$)
- 12X overload current rating exceeds 10X industry standard
- Suitable for use as service entrance equipment
- Includes internal shields which meet NEC 2020 230.62 line side barrier requirements

Features

- Quick-make and break switching action
- Double break visible blade design
- Highly visible ON/OFF indication
- Rugged installer friendly enclosure design
- Modular design allows quick and easy replacement of parts
- Front removable lugs which can easily be converted to copper body or compression type lugs
- Defeatable dual cover interlock

Product Specifications

Heavy Duty 100A and Oversized 60A, 240V – 600V, Type 3R

General Information

Catalog Number	Amps	Volts	Description	Shipping Weight (lbs.)
HF362RL	60	600	3 Pole, 3 Wire Fusible	25
HNF362RL	60	600	3 Pole, 3 Wire Non-Fusible	24
HF223NR ¹	100	240	2 Pole, 3 Wire, Fusible	24
HF323NR	100	240	3 Pole, 4 Wire Fusible	26
HF263R	100	600	2 Pole, 2 Wire Fusible	27
HF363R	100	600	3 Pole, 3 Wire Fusible	25
HF363NR	100	600	3 Pole, 4 Wire Fusible	26
HNF263R	100	600	2 Pole, 2 Wire, Non-Fusible	25
HNF363R	100	600	3 Pole, 3 Wire, Non-Fusible	24

Horsepower Ratings^{2,3} – 240 Volts

Catalog Number	1 Phase, 240V AC		3 Phase, 240V AC		250V DC
	Std	Max	Std	Max	
HF223NR	7½	15	15	30	20
HF323NR	7½	15	15	30	20

Horsepower Ratings^{2,3,4} – 600 Volts

Catalog Number	3 Phase, 480V AC		3 Phase, 600V AC		600V DC
	Std	Max	Std	Max	
HF362RL	15	30	15	50	30 ⁵
HNF362RL	—	50	—	60	30 ⁵
HF263R	—	— ⁶	—	— ⁶	50
HF363R	25	60	30	75	30 ⁵
HF363NR	25	60	30	75	30 ⁵
HNF263R	—	— ⁶	—	— ⁶	50
HNF363R ⁷	—	75	—	100	30 ⁵

Mechanical Lug Wire Range (60/75°C, Cu/Al)

Description	Wire Range
Line, Load	#12-1/0 (Al) AWG or
Neutral	#14-1/0 (Cu) AWG
Ground	#14-4 AWG

Compression Lugs^{10,11}

Wire Size	Burdny		Thomas-Betts		IlSCO	
	CU Only	CU/AL	CU Only	CU/AL	CU Only	CU/AL
#6	YA6C-L BOX	YA6CA1	54105	61107	CRB-6	ACL-6
	YA6C		54905BE			
#4	YA4C-L BOX	YA4CA1	54106	61112	CRB-4	ACL-4
	YA4C		54906BE			
#2	YA2C-L2 BOX	YA2CA5	54107	61116	CRB-4	ACL-2
	YA2C					
#1	YA1C-L2	—	54108	61122	CRB-1-14	—
	YA1C		54947BE			
1/0	—	—	—	61130	—	—

1 These switches are UL Listed for application on grounded B phase systems.
 2 Dual horsepower ratings: Std - applies when non-time delay fuses are installed. Max applies when time-delay fuses are installed.
 3 Horsepower ratings listed also apply to Design E motors with no derating.
 4 100A switches also rated 20HP at 250V DC.
 5 600V DC & 600V DC HP ratings require 2 poles to be connected in series.
 6 100A switches also rated 30HP at 480V and 40HP at 600V, 1 phase.
 7 100A switches also rated 40HP on 3phase, 240V AC systems.

Accessories

Catalog Number	Description
HA161234	One Normally Open and Closed Auxiliary Switches
HA261234	Two Normally Open and Closed Auxiliary Switches
HA361234	Low Voltage Auxiliary Switch
HG61234	Equipment Ground Lug Kit
HG261234	Isolated Equipment Ground Lug Kit
HP63	100A Fuse Puller (3 per kit) (HF223NR, HF323NR, HF263R, HF363R, HF363NR)
HN623	Neutral Kit
HR62	For 60A HF362RL
HR63	100A Class R Fuse Clip Kit (3 fuse clips per kit) (HF223NR, HF323NR, HF263R, HF363R, HF363NR)
HT23	100A 240 Volts Class T Fuse Clip Kit (1-Pole per kit) (HF223NR, HF323NR)
HT63	100A 600 Volt Class T Fuse Clip Kit (1-Pole per kit) (HF263R, HF363R, HF363NR)
HLC63 ⁸	Copper Lug Kit (9 lugs per kit)
HCL623	Compression Lug Neutral Barrier Kit
HS125	1.25" Type "HS" Outdoor Hub
HS150	1.50" Type "HS" Outdoor Hub
HS200	2.00" Type 4/4X Hub

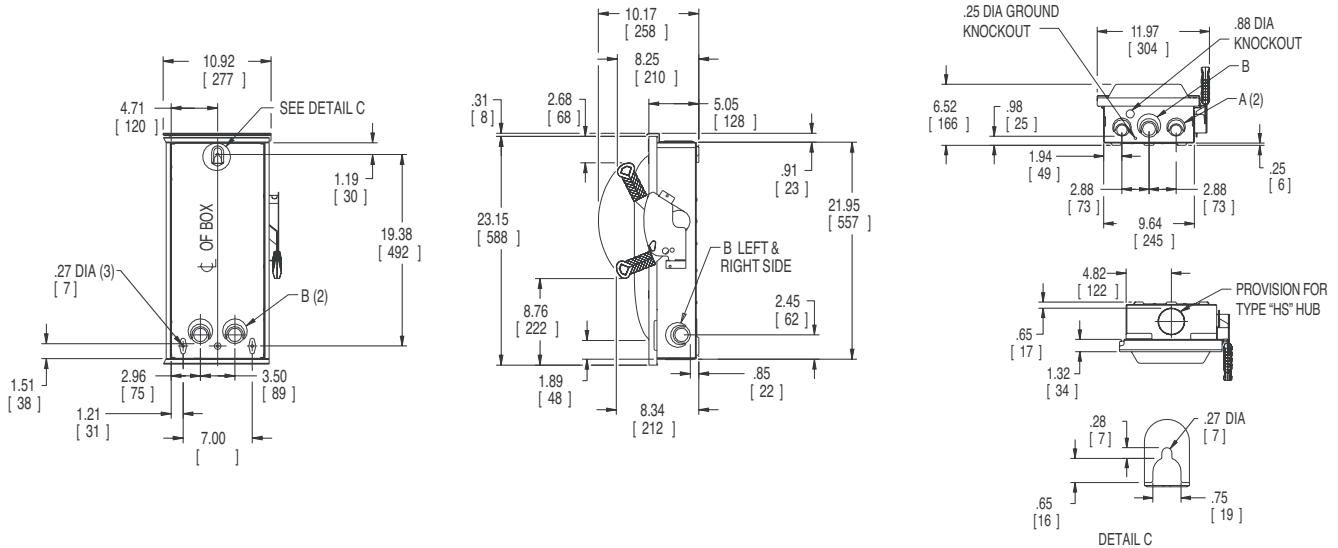
Replacement Parts

Catalog Number	Description
HFB63	Fusible Line Side Replacement Base (HF223NR, HF323NR, HF263R, HF363R, HF363NR)
HBB63	Fusible Load Side Replacement Base (HF223NR, HF323NR, HF263R, HF363R, HF363NR)
HNB623	Non-Fusible Replacement Base (HNF362RL, HNF263R, HNF363R)
HBB612	600 Volt Load Side Replacement Base (HF261S, HF361S)
HH6123	Replacement Handle/Handle Guard
HL63	Replacement Lugs (3 lugs per kit)
HM6123S	Replacement Mechanism
⁹	Replacement Door

8 Will mount on the line side only on HF362RL.
 9 Place "Door" at the end of the switch catalog number.
 10 If compression lugs are used for the neutral, order compression lug neutral barrier kit HCL623.
 11 Compression lugs can be ground on the line side only on HF362RL.

Dimension Drawings

Heavy Duty 100A and Oversized 60A, 240V – 600V, Type 3R



Dimensions shown in inches and millimeters ().
Dimension shown accurate to ± 1/8 inch.

KNOCKOUT CODE	CONDUIT SIZE			
	.75	1.00	1.25	1.50
A (Tangential)	.75	1.00	1.25	1.50
B (Tangential)	1.00	1.25	1.50	2.00

	LINE SIDE WIRE BEND	LOAD SIDE WIRE BEND
240V fused	6.07 (154)	8.10 (205)
600V fused	6.07 (154)	6.10 (155)
Non-Fused	6.07 (154)	11.46 (291)

Enclosure: Galvanized Steel
.054 Thick (17 Gauge)
Finish: ANSI Grey #61 Paint

Published by
Siemens Industry, Inc. 2021.

Siemens Industry, Inc.
3617 Parkway Ln
Peachtree Corners, GA 30092

For more information, please contact our Customer Support Center.
Phone: 1-800-241-4453
E-mail: info.us@siemens.com

usa.siemens.com/switches

Order No.: SSDS-HF13R-0521
Printed in U.S.A.
© 2021 Siemens Industry, Inc.

The technical data presented in this document is based on an actual case or on as-designed parameters, and therefore should not be relied upon for any specific application and does not constitute a performance guarantee for any projects. Actual results are dependent on variable conditions. Accordingly, Siemens does not make representations, warranties, or assurances as to the accuracy, currency or completeness of the content contained herein. If requested, we will provide specific technical data or specifications with respect to any customer's particular applications. Our company is constantly involved in engineering and development. For that reason, we reserve the right to modify, at any time, the technology and product specifications contained herein.