

SIEMENS

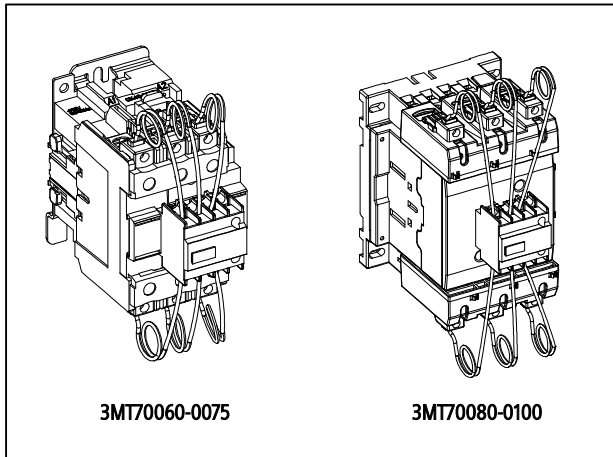
Contactors for capacitor switching Type: 3MT70060. to 3MT70100.

IEC 60947-4-1



Operating Instructions

	Warning: Hazardous Voltage can cause Electric Shock and burns. Disconnect Power before proceeding with any work on this equipment.
	Avoid operation during under voltage conditions. Switch only onto discharged capacitors. Manual operation not permitted for function testing



- **Switching frequency in Make/Break operation:**
100 Operating cycles/hour from 60 to 100kVAR.

(ii) Aux Circuit:

Inbuilt Aux contacts:

1NO + 2NC in case 60 to 100kVAR

Aux Contact Rating :			
Utilisation Category	Inbuilt Aux	Lateral block	Frontal Block (1 NC)
	60 & 75 kVAR	80 & 100 kVAR	
DC-13 (220V)	0.309A	0.28A	0.309A
AC-15 (440V)	1.14A	2.5A	1.14A

Note: Do not remove precharging resistors. If contactor is switched on load without resistor, it may cause damage to the contactor.

iii) Control circuit:

- Control voltage is marked on the product coil.

Note:

- The voltage is to be maintained within allowable limits
- Operation on under voltage conditions to the coil may cause damage to the coil/contactor.
- Maximum back-up fuse rating for control circuit is 10A (6A if relay contacts is in the control circuit).

A. Technical Data

(i) Main Circuit:

The capacitor are precharged during pick-up via early-make contacts and integrated pre-charged resistors before the main contacts close.

This combination may be used for switching of individual capacitor for power factor correction of single loads or for switching capacitor banks in parallel in centralized group power factor correction system.

- Insulation Voltage U_i : 690V AC
- Rated operational voltage U_e : 260/440V, 50/60 Hz
- Temperature : Storage -25 to + 55 °C
Service (without derating) - 5 to + 40 °C

Use the devices with the declared capacitor bank ratings only.

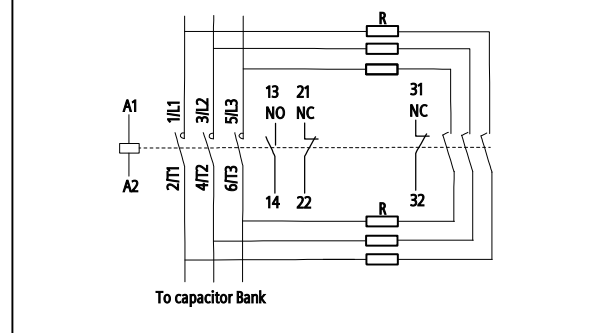
Table 1.1

Contactors Type	Load of contactor when switching 3ph AC capacitor kVAR at 260/440V,50/60 Hz	Fuse Rating for Type 2 Coordination 'gG' (A)
3MT70060	60	125
3MT70075	75	125

Table 1.2

Contactors Type	Load of contactor when switching 3ph AC capacitor kVAR at 260/440V,50/60 Hz	Fuse Rating for Type 1 Coordination 'gG' (A)
3MT70080	80	200
3MT70100	100	200

3MT70060. & 3MT70100. :



B. Installation

1. Permitted mounting positions are indicated in Fig 1
2. The unit is suitable for screw mounting with torque of 2 Nm on flat vertical surface. Always use plain and spring washers.
3. Din rail mounting provision available for 60 to 100 kVAR.

Note: Install the unit in the housing if it is exposed to dust, dirt, contamination or aggressive atmosphere.

