



SIEMENS
Ingenuity for life

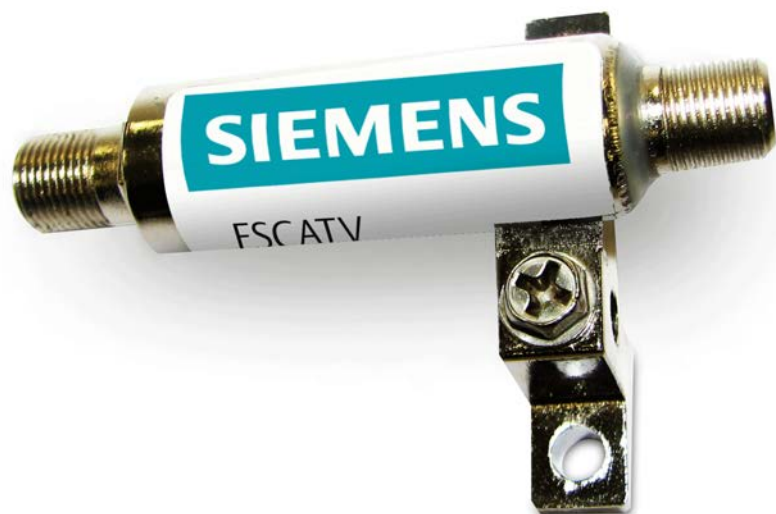
FSCATV

Total Home Surge Protection

Cable TV Surge Protection

Siemens FSCATV shields coaxial connected electronics in residential and light commercial applications against electrical transient damage, including lightning, from entering through the main cable connection.

FSCATV includes a section of coaxial cable with female to female splice for line side application. The Siemens warranty covers product defects for 5 years. To have complete protection for your equipment, home, or business, it is important to protect AC power lines and all data lines the equipment is connected through.



Features & Benefits

- UL Listed
- Rated for CATV, DSS, TV, VCR, and Cable Modem
- Easy to install
- Standard Female to Female F connector
- Low insertion loss
- Automatic recovery
- 5 Year product warranty*

* See website for warranty terms and conditions.

Technical Specifications

Frequency Range	DC thru 1.5 GHz
Catastrophic Surge Circuit	Yes
Spike Capacity	5000 Amps, 8/20 μ Sec
Impedance	75 Ohms
Overcurrent Protection	Yes
Return Loss	30dB @ 1 GHz
Insertion Loss	<0.1dB

Agency Approvals & Warranty

UL/cUL Listings	497C
Meets IEEE C62.41.1 Requirements	Yes
Product Warranty	5 Years

Catalog Number

FSCATV	F-Type Inline Coax Protector
--------	------------------------------

Installation Instructions:

Do Not Install During Active Storm Conditions.

The FSCATV is intended to provide surge protection for customer premises and head end equipment. Proper grounding per CEC code is required. Failure to follow these instructions can result in personal injury and/or equipment damage.

DC Voltage Breakdown Rating (100V/s): 150 - 300VDC

1. Properly ground the unit by connecting grounding wire to ground screw on the surge protector and the ground point nearest to the incoming coax cable line.
2. Use the supplied coax cable extension line (if necessary) to connect the incoming cable service to side A of the FSCATV and connect side B to the equipment being protected. (See Figure 1 or 2)

Figure 1. Typical Cable Modem Installation

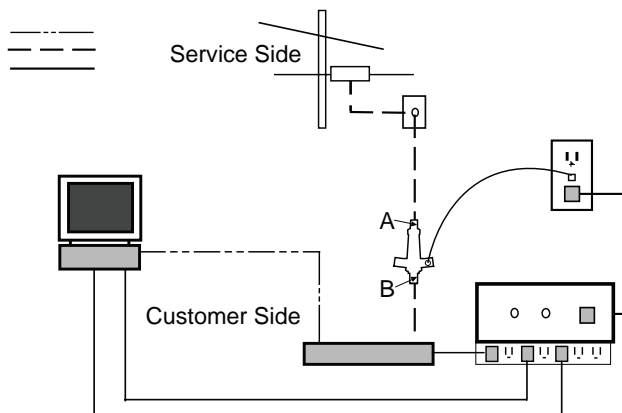
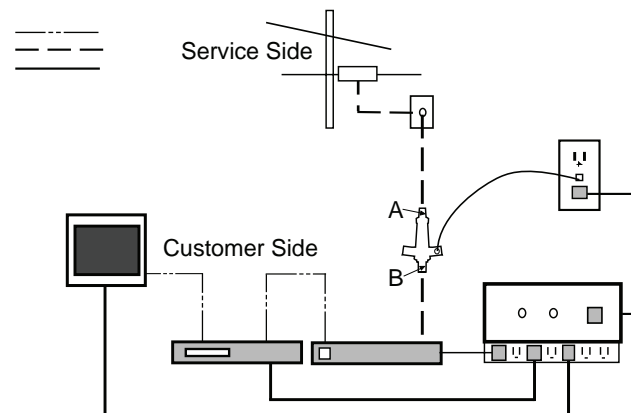


Figure 2. Typical Cable TV Installation



Siemens Industry, Inc.

5400 Triangle Parkway
Norcross, GA 30092

888-333-3545

info.us@siemens.com

Order No. RPFL-FSCAT-1216

Printed in USA

All Rights Reserved.

©2016 Siemens Industry, Inc.